

# MICOS

MOTION CONTROL & OPTICS **USA**

[Terms](#) | [Sitemap](#) | [About us](#) | [Contact](#) | [Catalog](#) | [Shows](#) | [News](#) | [Offices](#) | [Partners](#) | [Press Center](#) | [Support](#) | [Team](#) | [Home](#)

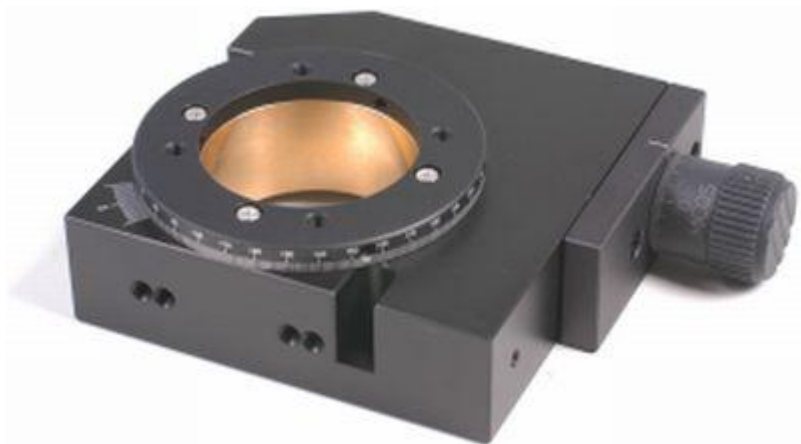
MICOS USA • 15375 BARRANCA PARKWAY • STE G101 • IRVINE • CA 92618 • PHONE 949 480 0538 • FAX 949 480 0538

Page

6.006

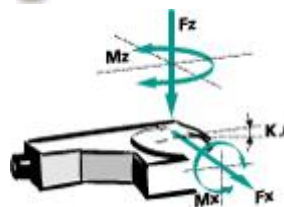
Rotation Stage ADT-80

Manual Positioners



### Key features

- EcoLine in lightweight construction
- Clear aperture 40 mm
- Rotation range 360°, endless
- Double row ball bearings
- Load up to 4 kg
- Module combination



### FACTS

Load Characteristics	Fx (N)	Fz (N)	Mx (Nm)	Mz (Nm)	ka (μrad/Nm)
Manual	20	40	5	0.6	150

### DESCRIPTION

Rotation Stages **ADT-80** are suited for simple positioning of light samples, optics or other test pieces. Compared with the proved motorized driven rotation and translation stages EcoLine of MICOS, they are a low-cost manual variant. Rotation Stages ADT-80 are equipped with a prestressed wire ball bearing. The drive is made by a spring prestressed screw worm-gear wheel with a translation of  $I = 180:1$ .

Due to a free center hole of 40 mm working with transmitted light microscopy is possible. Manual adjustment is made by a turning knob with a 100 scale line. Rotation Stages ADT-80 are suited for vertical and horizontal use. With only little effort Rotation Stages ADT-80 of the structural series EcoLine can be configured together with other MICOS components to systems.

Technical data

<b>Rotation Range (°)</b>	<b>360, endless</b>
Worm Gear reduction	180:1
Repeatability (°)	+/- 0.008
Reversal Error (°)	0.01 ... 2
Flatness (µm)	+/- 10
Eccentricity (µm)	+/- 10
Wobble (µrad)	+/- 100

**Resolution (°)**

Knob	0.02
Platform	1

**Sensitivity (°)**

Manual	0.01
--------	------

**Material**

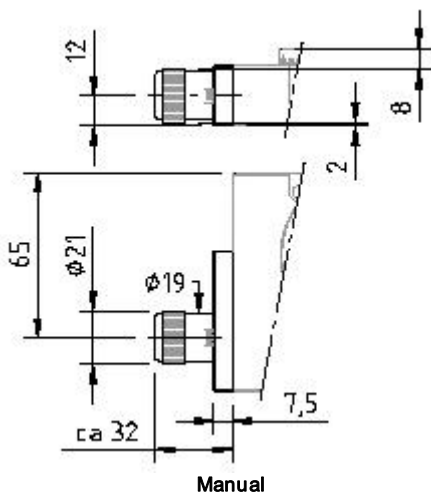
black anodized

**Weight (kg)**

0.45

MOTION CONTROL Systems Positioners MiniPos DirectDrives Controllers ManPos Accessories Vacuum MAC PhotonX M A C

**ADT-80 Knobs**

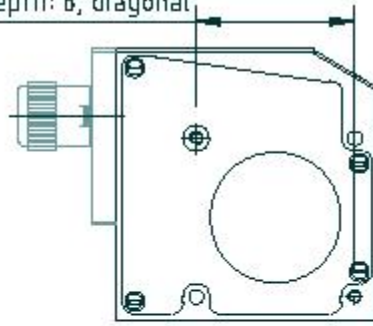


MOTION CONTROL Systems Positioners MiniPos DirectDrives Controllers ManPos Accessories Vacuum MAC PhotonX M A C

ADT-80 Base

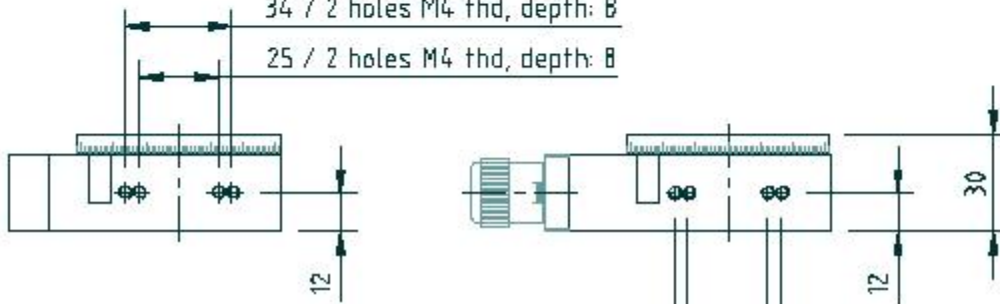
Rotation range  
360°, endless

$\varnothing 50 / 2$  holes M4 thd, depth: 6, diagonal



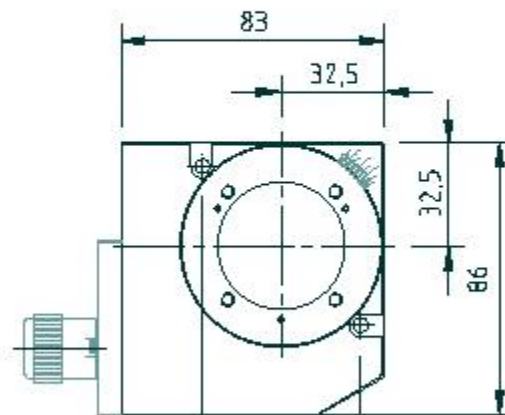
$34 / 2$  holes M4 thd, depth: 8

$25 / 2$  holes M4 thd, depth: 8



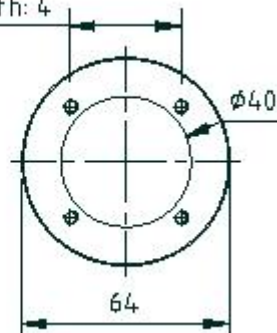
$25 / 2$  holes M4 thd, depth: 6

$34 / 2$  holes M4 thd, depth: 6




$\varnothing 50 / 2$  holes c' bored M4 (DIN 74 - Km4)

$\varnothing 34 / 4$  holes M4 thd, depth: 4



Rotation Stage	Order-No.
ADT-80	6443-9-600

Founded in 1990, MICOS specializes in the development, manufacturing and marketing of ultra-high precision positioning components and systems for research and industry. We are experts in vacuum, ultra-high vacuum, clean room, and extreme climate environments down to 77 Kelvin. 

[Terms](#) | [Sitemap](#) | [About us](#) | [Contact](#) | [Catalog](#) | [Shows](#) | [News](#) | [Offices](#) | [Partners](#) | [Press Center](#) | [Support](#) | [Team](#) | [Home](#)  
**MOTION CONTROL** = [Systems](#) | [Positioners](#) | [MiniPositioners](#) | [DirectDrives](#) | [Controllers](#) | [ManPositioners](#) | [Accessories](#) | [Vacuum](#)  
**MAC PhotonX** = [Moskito](#) | [Albatros](#) | [Campus](#)