



Leica DM1000

Operating manual
Bedienungsanleitung
Mode d'emploi

Leica
MICROSYSTEMS

Published September 2004 by/
Publiée en septembre 2004 par/
Herausgegeben September 2004 von:

Leica Microsystems Wetzlar GmbH
Ernst-Leitz-Strasse
D-35578 Wetzlar (Germany)

Responsible for contents/
Responsable du contenu rédactionnel/
Verantwortlich für den Inhalt:
Dr. Jasna Röth, Peter Schmitt
(Clinical Microscopy, Product Management)
Holger Grasse
(Safety Officer according to MPG §30/
Sicherheitsbeauftragter nach MPG §30/
Responsable de la sécurité conformément à la loi
relative aux dispositifs médicaux, §30)
In case of questions, please contact the hotline/
Pour toute question, contacter notre service
d'assistance téléphonique/

Bei Fragen wenden Sie sich bitte an die Hotline:

Phone/Tel./Tél.	+49 (0) 64 41-29 22 86
Fax	+49 (0) 64 41-29 22 55
E-mail/Email/Courriel	MQM-Hotline@leica- microsystems.com



Leica DM1000

Operating Manual

Leica
MICROSYSTEMS

Copyrights

All rights to this documentation are held by Leica Microsystems Wetzlar GmbH. Reproduction of text or illustrations (in whole or in part) by print, photocopy, microfilm or other method (including electronic systems) is not allowed without express written permission from Leica Microsystems Wetzlar GmbH.

The instructions contained in the following documentation reflect state-of-the-art technology and knowledge standards. We have compiled the texts and illustrations as accurately as possible. Nevertheless, no liability of any kind may be assumed for the accuracy of this manual's contents. Still, we are always grateful for comments and suggestions regarding potential mistakes within this documentation.

The information in this manual is subject to modification at any time and without notification.

Contents

1. Important Notes about this Manual	6	8.4 Tubes	37
2. Intended Purpose of the Microscope ...	7	8.5 Eyepieces	38
3. Safety Notes	8	8.6 Objectives	39
3.1 General Safety Notes	8	8.7 Light Sources	40
3.2 Electrical Safety	8	8.8 Aperture Diaphragm	40
4. Overview of the Instrument	10	8.9 Field Diaphragm	41
5. Unpacking the Microscope	14	9. Contrast Methods	42
6. Assembling the Microscope	16	9.1 Transmitted Light	42
6.1 Stage	16	9.1.1 Brightfield	43
6.2 Condenser	18	9.1.2 Phase Contrast	44
6.3 Tube and Eyepieces	19	9.1.3 Darkfield	44
6.4 Objectives	19	9.1.4 Oblique Illumination	45
6.5 Light Source - Transmitted Light Axis ...	20	9.1.5 Polarization	45
6.6 Components for Fluorescence Applications	21	9.2 Fluorescence	46
6.6.1 Fluorescence Illuminator	21	10. Measurements with the Microscope ...	47
6.6.2 106 z Lamp Housing	21	10.1 Linear Measurements	47
6.7 Analyzer and Polarizer*	24	10.2 Thickness Measurements	48
6.8 Lambda Plate Compensator	24	10.3 Differentiation of Gout / Pseudo Gout ...	49
6.9 Optional Accessories	25	11. Troubleshooting	51
6.10 Connection to the Power Supply	27	12. Care of the Microscope	54
7. Startup	28	12.1 Dust Cover	54
7.1 Switching on the Microscope	28	12.2 Cleaning	54
7.2 Köhler Illumination	28	12.3 Handling Acids and Bases	55
7.3 Checking Phase Contrast Rings	29	12.4 Changing Fuses	55
7.4 Adjusting the Light Sources	31	13. Essential Wear and Spare Parts	56
8. Operation	35	14. Retrofitting Components	57
8.1 Switching on	35	14.1 Equipping the Condenser Disk	57
8.2 Stages and Object Displacement	35	15. Index	59
8.3 Focusing	36	16. EU Declaration of Conformity	60

1. Important Notes about this Manual



Caution!

This operating manual is an essential component of the microscope, and must be read carefully before the microscope is assembled, put into operation or used.

This operating manual contains important instructions and information for the operational safety and maintenance of the microscope and accessories. Therefore, it must be kept and taken care of.

Text symbols, pictograms and their meanings:

(1.2)

Numbers in parentheses, such as "(1.2)", correspond to illustrations (in the example, Figure 1, Item 2).

→ p.20

Numbers with pointer arrows (for example → p.20), point to a certain page of this manual.



Caution!

Special safety instructions within this manual are indicated with the triangle symbol shown here, and have a gray background.



Caution! The microscope and accessories can be damaged when operated incorrectly.



Explanatory note.



Item not contained in all configurations.

2. Intended Purpose of the Microscope

The Leica DM1000 microscope, to which this user manual belongs, is designed for biological routine and research applications. This includes the examination of samples taken from the human body with a view to provide information on physiological or pathological states or congenital abnormalities, or to determine the safety and compatibility with potential recipients, or to monitor therapeutic measures.

The above-named microscope complies with the Council Directive 98/79/EEC concerning in vitro diagnostics. It also conforms to the Council Directives 73/23/EEC concerning electrical apparatus and 89/336/EEC concerning electromagnetic compatibility for use in an industrial environment.



Caution!

The manufacturer assumes no liability for damage caused by, or any risks arising from using the microscope for other purposes than those for which they are intended or not using them within the specifications of Leica Microsystems Wetzlar GmbH. In such cases the conformity declaration shall cease to be valid.



Caution!

These (IVD) devices are not intended for use in the patient environment defined by DIN VDE 0100-710. Neither are they intended for combining with medical devices according to EN 60601-1. If a microscope is electrically connected to a medical device according to EN 60601-1, the requirements defined in EN 60601-1-1 shall apply.

3. Safety Notes

3.1 General Safety Notes

This safety class 1 device is constructed and tested in accordance with EN 61010-2-101:2002, EN 61010-1:2001, IEC 1010-1:2001, safety regulations for electrical measuring, control, and laboratory devices.



Caution!

In order to maintain this condition and to ensure safe operation, the user must follow the instructions and warnings contained in this operating manual.



Caution!

The devices and accessories described in this operating manual have been tested for safety and potential hazards. The responsible Leica affiliate or the main plant in Wetzlar, Germany must be consulted whenever the device is altered, modified or used in conjunction with non-Leica components that are outside of the scope of this manual.

Unauthorized alterations to the device or noncompliant use shall void all rights to any warranty claims!

3.2 Electrical Safety

General Specifications

Microscope

For indoor use only.

Supply voltage:	90-250 V~
Frequency:	50-60 Hz
Power input:	90 W
Fuses:	F 3,15 A 250 V
Ambient temperature:	15-35°C
Relative humidity:	max. 80% to 30°C
Over voltage category:	II
Pollution degree:	2



Caution!

The power plug may only be plugged into an outlet equipped with a grounding contact.

Do not interfere with the grounding function by using an extension cord without a ground wire. Any interruption of the ground wire inside or outside of the device, or release of the ground wire connection, can cause the device to become hazardous. Intentional ground interruption is not permitted!



Caution!

Never use any fuses as replacements other than those of the types and the current ratings listed here. Using patched fuses or bridging the fuse holder is not permitted. The use of incorrect fuses may result in a fire hazard.



Caution!

Protect the microscope from excessive temperature fluctuations. Such fluctuations can lead to the accumulation of condensation, which can damage the electrical and optical components.
Ambient temperature: 15-35°C.



Caution!

The microscope's electrical accessory components are not protected against water. Water can cause electric shock.



Caution!

Before exchanging the fuses or lamps, be absolutely certain to switch off the main power switch and remove the power cable.

4. Overview of the Instrument

Specification	Leica DM1000
Contrast Method	<ul style="list-style-type: none">• Transmitted Light: Brightfield, Darkfield, Phase Contrast, Polarization• Incident Light: Fluorescence
Transmitted Light Axis	Integrated halogen illumination manual adjustment of <ul style="list-style-type: none">• Light Intensity• Aperture Diaphragm• Field Diaphragm (only with Koehler kit)
Incident Light Axis	Incident light fluorescence illuminator for up to eyepiece field number 20 with <ul style="list-style-type: none">• Interchangeable slide with mount for 3 filter systems• Adjusting lens for lamp• Light trap for the suppression of extraneous light• BG38 blue filter and shutter, switchable
Tube	optionally with <ul style="list-style-type: none">• Fixed or variable viewing angle• Up to 3 switching positions• one or two camera ports• Ergotube with height-adjustable eye level and camera port
Magnification Changer (optional)	<ul style="list-style-type: none">• Manual• Magnification steps: 1x; 1.5x; 2x
Objective Turret	<ul style="list-style-type: none">• Manual• 5-fold for objectives with M25 thread
X/Y Stage	<ul style="list-style-type: none">• With condenser holder• Coaxial pinion optional telescopic• Controls mountable on left or right

Specification	Leica DM1000
Condenser	<ul style="list-style-type: none">• CL/PH 0.90/1.25 OIL condenser with color coding• CLP/PH 0.85 condenser for polarization• Achr.apl. A 0.9 (P) condenser with swivelable condenser head• UCL 0.90/1.25 OIL universal condenser UCLP 0.85 for polarization with 5-position light ring disk)• UCL/P pol. universal condenser with interchangeable condenser head and condenser disk with 6 positions
Focusing	<ul style="list-style-type: none">• Focus wheel for coarse and fine focusing• Height adjustment



Fig. 1 Left side of the Leica DM1000 stand

- 1 Coarse and fine focusing
- 2 Condenser height adjustment
- 3 Brightness control
- 4 Field diaphragm
- 5 Aperture diaphragm
- 6 Condenser

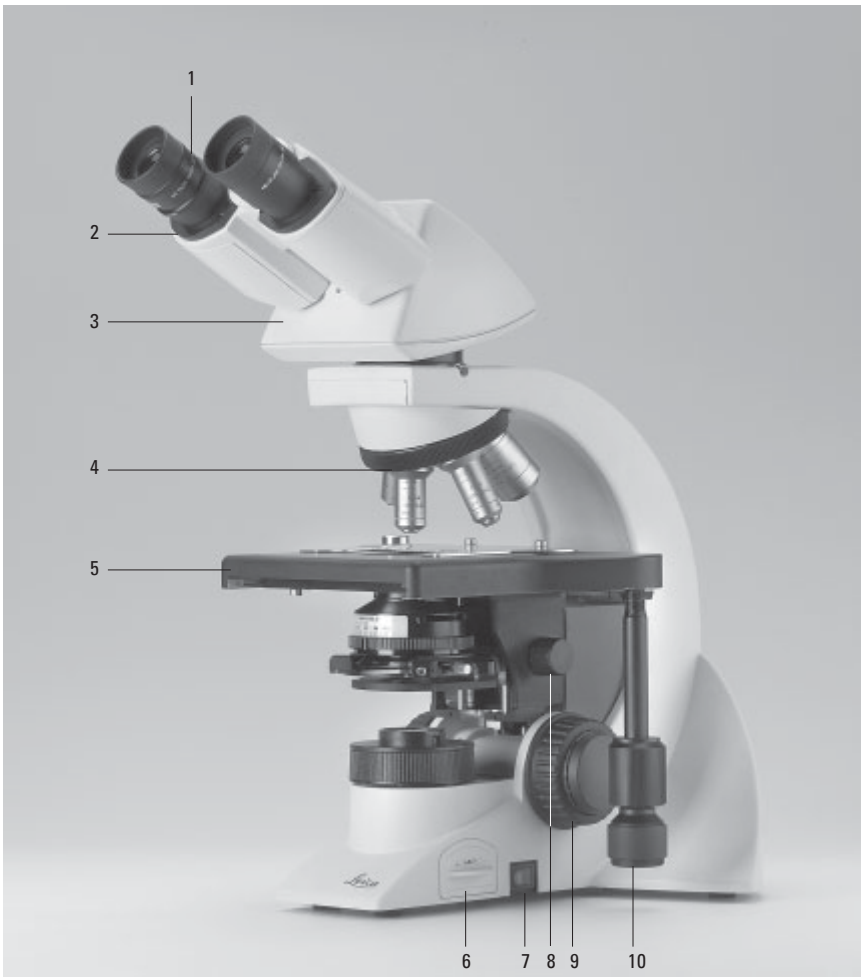


Fig. 2 Right side of the Leica DM1000 stand

- 1 Eyepiece
- 2 Eyepiece tube
- 3 Tube
- 4 Objective turret with objectives
- 5 Specimen stage with specimen holder
- 6 Integrated illumination
- 7 On/Off switch
- 8 Condenser height adjustment
- 9 Coarse and fine focusing
- 10 Coaxial pinion for x/y stage movement

5. Unpacking the Microscope

First, carefully remove all components from the transportation and packaging materials.



Note:

If at all possible, avoid touching the lens surfaces of the objectives. If fingerprints do appear on the glass surfaces, remove them with a soft leather or linen cloth. Even small traces of finger perspiration can damage the surfaces in a short time. See the chapter "Care of the Microscope" → p. 54, for additional instructions.



Caution!

Do not yet connect the microscope and peripherals to the power supply at this point!

Installation Location

Work with the microscope should be performed in a dust-free room, which is free of oil vapors and other chemical vapors, as well as extreme humidity. At the workplace, large temperature fluctuations, direct sunlight and vibrations should be avoided. These conditions can distort measurements and micrographic images.

Allowable ambient conditions

Temperature	15-35°C
Relative humidity	maximum 80% up to 30°C

Microscopes in warm and warm-damp climatic zones require special care in order to prevent the build up of fungus.

See the chapter "Care of the Microscope" → p. 54, for additional instructions.



Caution!

Electrical components must be placed at least 10 cm away from the wall and away from flammable substances.

Transport

For shipping or transporting the microscope and its accessory components, the original packaging should be used.

As a precaution to prevent damage from vibrations, the following components should be disassembled and packaged separately:

- Unscrew the objectives.
- Remove the condenser.
- Remove the coaxial pinion.
- Remove the lamp housings.
- Disassemble the burner of 106 z lamp housing.
- Remove all moving or loose parts.

6. Assembling the Microscope

The microscope components are logically assembled in this order:

- Stage
- Condenser
- Fluorescence*
- Intermediate systems*
- Tube
- Eyepieces
- Objectives
- Lamp housings with light sources
- Polarization*

Only one commonly used screwdriver is necessary for assembly, which is included in the delivery package.

The tool can be stored on a magnetic retainer on the underside of the stage at the right.

When using intermediate systems and optical accessories, the sequence may vary.

In this case, read Chapter "6.9 Optional Accessories" → p. 25.

6.1 Stage

! **Caution:**

Before completing the stage, make sure no objectives are installed!

Specimen Holder

- Place the specimen holder on the stage and fasten it with the two screws (3.1).

Coaxial Pinion

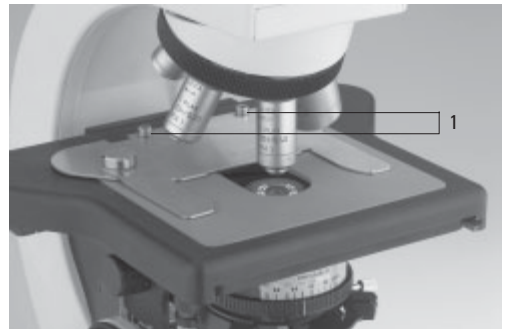


Note:

The coaxial pinion can be mounted on the left- or right-hand side.

Fig. 3 Specimen stage with specimen holder

1 Lock screws for specimen holder



- First, place the fine focus wheel on the side to which you intend to mount the coaxial pinion. The wheel is held in place magnetically (4.1). Ensure that the button snaps into place. Attach the other focus knob on the opposite side.
- Loosen the lock screw (5.1) at the front left-hand side of the stage.
- Slide the stage as far back as possible.
- Attach the coaxial pinion with the screw (6.1).
- Pull the stage forward and retighten the lock screw.

Fig. 4 Focus wheel

- 1 Magnetic retainer for fine focus wheel



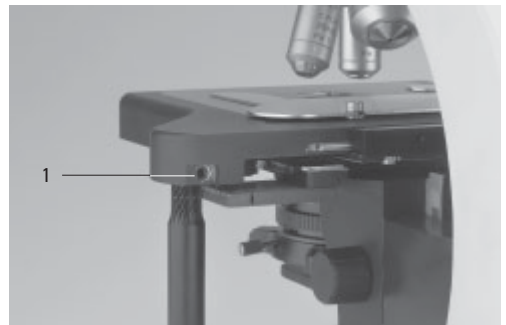
Fig. 5 Underside of stage

- 1 Lock screw



Fig. 6 Coaxial pinion installation

- 1 Mounting screw for coaxial pinion



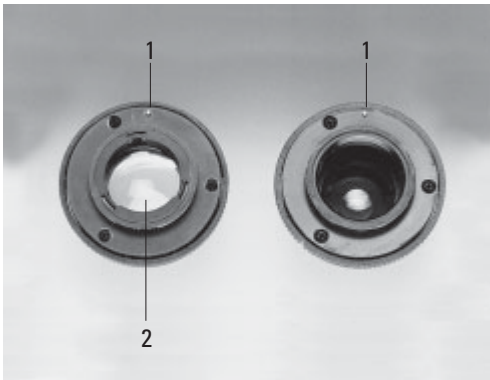
6. Assembly

6.2 Condenser

- If present, screw the condenser head into the condenser.
- Using the condenser height adjuster (9.3), turn the condenser holder (fig. 8) completely downward.
- Unscrew the clamping screw for the condenser (9.2) far enough so that the condenser can be inserted from the front.
- From the front, insert the condenser into the condenser holder as far as it will go. On the underside of the condenser, there is an orientation pin (7.1), which must be located in the guiding notch (8.1).
- Pull the condenser's clamping screw (9.2) so that the condenser is locked in place.

Fig. 7 Underside of condenser(example CL/PH)

- 1 Orientation pin
- 2 Auxiliary condenser lens LS



Note:

The condenser must be centered before using the microscope.

→ Köhler illumination p. 28.

Fig. 8 Condenser holder

- 1 Guiding notch

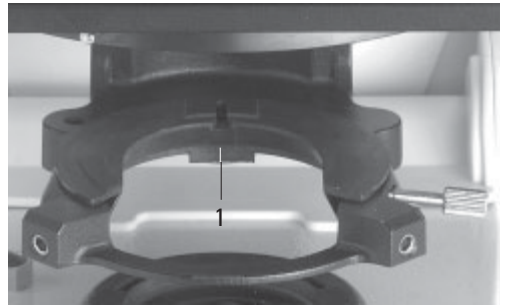
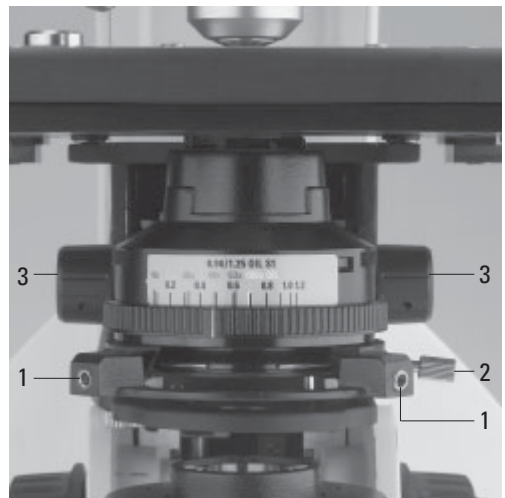


Fig. 9 Condenser holder

- 1 Condenser centering
- 2 Clamping screw for condenser
- 3 Condenser height adjuster



6.3 Tube and Eyepieces



Note:

For fluorescence applications, install the fluorescence illuminator first → p. 21.

If available, the analyzer* (10.1) must be inserted into the stand. This requires that the guide key engages in the guide pin (10.2).

To mount the analyzer, the analyzer mount TL* 20 mm or 60 mm can also be placed between stand and tube.

An intermediate tube pole* with a switchable analyzer (on/off) and Bertrand lens is also available as an option.

The tube is mounted to the stand either directly or with the use of intermediate modules.

- Loosen the clamping screw (11.1) on the stand.
- Insert the tube in the circular receptacle (dovetail ring).
- Retighten the clamping screw (11.1).
- The eyepieces are inserted into the eyepiece tubes on the tube.

6.4 Objectives

Always only use Leica objectives of tube length \times (infinity)! The standard thread is M25. The objectives should be arranged so that the magnification increases when the objective nosepiece is rotated counter clockwise.



Attention:

Lower the specimen stage as far as possible before assembling the objectives. Close vacant threads in the nosepiece with dust protection caps!

Fig. 10 Analyzer mounting

- 1 Analyzer
- 2 Orientation pin and guiding notch
- 3 Clamping screw

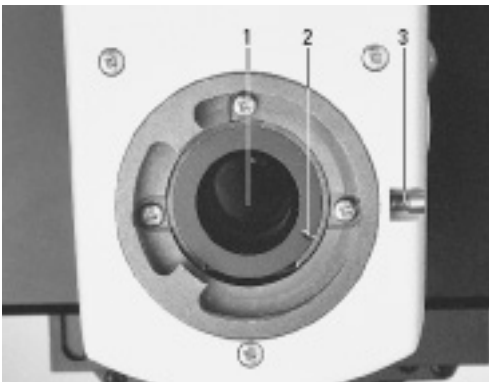
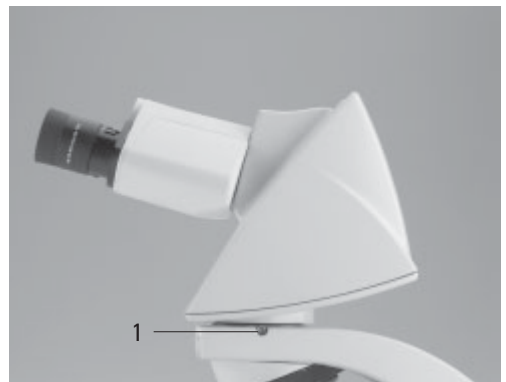


Fig. 11 Fastening the tube

- 1 Clamping screw



6.5 Light Source for the Transmitted Light Axis



Caution!

Be sure that the lamp housing is disconnected from the power supply. Unplug the power plug and the power supply during assembly.

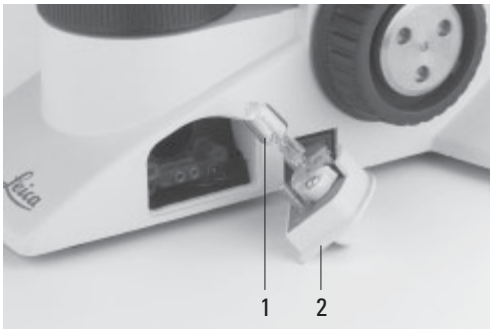


Caution!

Light sources pose a potential irradiation risk (glare, UV-radiation, IR-radiation). Therefore, lamps have to be operated in closed housings.

Fig. 12 Transmitted-light illumination in microscope base

- 1 Tungsten halogen lamp
- 2 Insert



Replacing the Lamp of the Integrated Illumination

The transmitted light illumination with a low-voltage tungsten halogen lamp (Fig. 12) is integrated in the base of the microscope and is accessible from the right-hand side.

- Remove the insert (12.2).



Caution!

The lamp may still be hot!

- Remove the lamp.



Caution!

Do not remove the new lamp's dust cover until you have installed the lamp. Avoid fingerprints on the lamp.

- Insert the new lamp with the dust cover straight into the socket until it stops. Be sure that the lamp is inserted straight.
- Remove the lamp's dust cover.
- Replace the insert (12.2).

6.6 Components for Fluorescence Applications

6.6.1 Fluorescence illuminator

The fluorescence illuminator is mounted in front of the tube. It is fastened in place with the side clamping screw (13.1).



Caution!

Make sure to follow the instructions and safety notes of the lamp supplier.
Before changing lamps allow at least 30 mins for cooling down!

6.6.2 106 z Lamp Housing



Caution!

Light sources pose a potential irradiation risk (glare, UV-radiation, IR-radiation). Therefore, lamps have to be operated in closed housings.

During assembly, always unplug the power supply unit of the 106 z lamp housing from its socket.

During assembly work on xenon burners, always wear the supplied protective gloves and face protection (Fig. 14) (risk of explosion).

Never touch the glass parts of the burner with bare hands.
Never look directly into the beam path (blinding hazard).

This lamp housing is used with various gas discharge lamps.

Inserting the Ggas Discharge Lamps (Hg and Xe) into the 106z Lamp Housing

Hg and Xe lamps are powered by separate supply units.

Read the separate instruction manual provided with these supply units.

Fig. 13 Assembly of fluorescence illuminator
1 Clamping screw

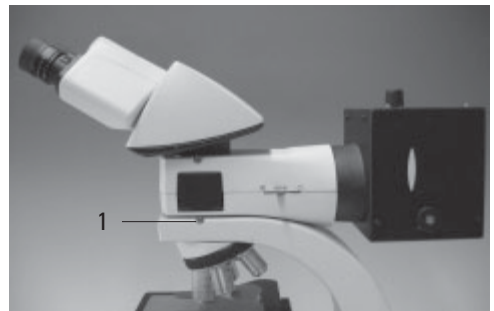


Fig. 14
Protective gloves and mask



6. Assembly

The following gas discharge lamps may be used and require different supply units and lamp mounts (Fig. 16):

Type	Typical Bulb Life*
50 W high-pressure mercury burner (alternating current)	100 hours.
100 W high-pressure mercury burner (direct current)	200 hours.
100 W high-pressure mercury burner (direct current, type 103 W/2)	300 hours.
75 W high-pressure xenon burner (direct current)	400 hours.

* Please regard the data sheets for the burners.

- To open the 106 z lamp housing, unscrew the fastening screws (15.8) on the cover.
- Remove the transport anchorage (red plastic rod in place of the burner) in the lamp mount. To do so, remove the lower clamp (16.1). Pull up the cooling element (16.3) and turn it to the side. Detach the lower clamp system (16.2) and remove the transport anchorage.
- Install the burner in reverse order.



Caution!

Hg 50 Burner:

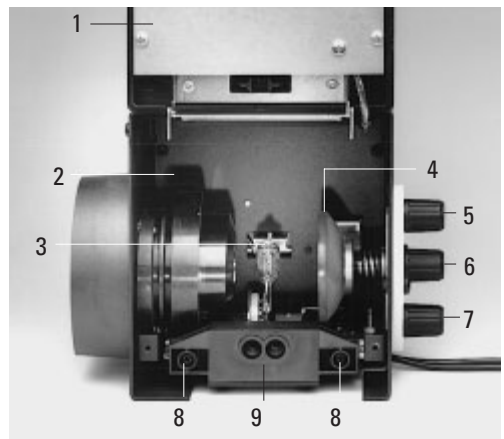
After installation, the labeling must be upright. If a glass melt nipple is present (16a.4), position it by turning the burner so that the nipple does not come in the way of the beam path later, but instead is positioned sideways.

Xe 75 Burner:

Remove the burner's dust cover (16b.5) after you have installed the burner.

Fig. 15 106 z lamp housing (on the side, open)

- 1 Cover raised
- 2 Collector
- 3 Gas discharge lamp in mount
- 4 Reflector (mirror)
- 5, 6, 7 Adjusting screw for x-y reflector
- 8 Fastening screw for lamp mount
- 9 Socket for contact plug



- Insert the lamp mount, with the burner installed, into the lamp housing and tighten it with the screws (15.8).
- Close the lamp housing and retighten the screws.
- Place the lamp housing in the incident light lamp housing receptacle (17.1) and fasten it with the clamping screw on the side.
- Connect the lamp housing to the external power supply.

Fig. 17 Mounting the 106 z lamp housing

1 Lamp housing receptacle

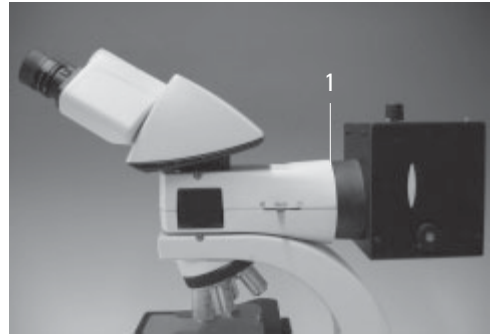
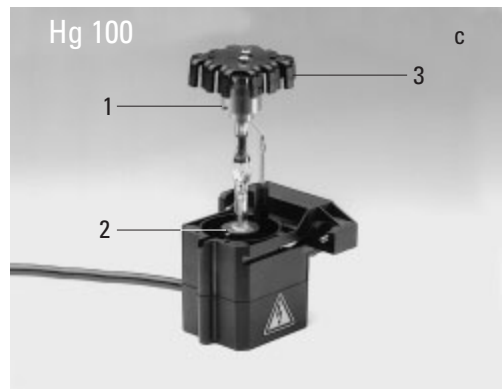
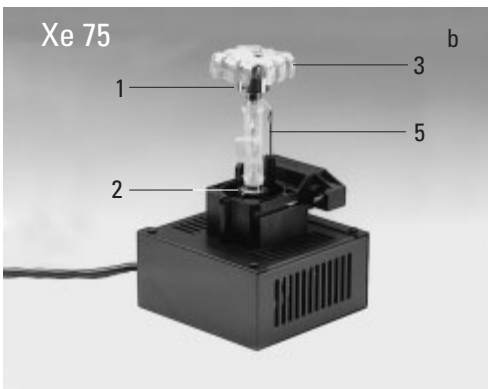
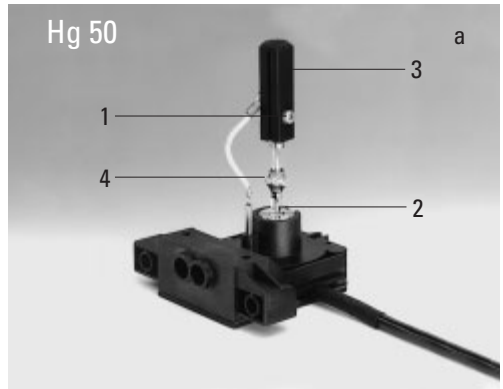


Fig. 16 a-c Lamp mounts for gas discharge lamps

- 1 Upper clamping system
- 2 Lower clamping system
- 3 Cooling element
- 4 Nipple of the mercury 50 burner,
- 5 Dust cover of the mercury 75 burner



6. Assembly

6.7 Analyzer and Polarizer*

Analyzer

If the analyzer was inserted into the tube mount before the tube assembly: (→ p. 19), no additional assembly step is required.

If an intermediate tube pole* or analyzer mount TL* is used:

- Remove the plug cap on the left side.
- Insert the analyzer into the receptacle until it latches in place.

Polarizer

- Raise the condenser to its upper stop position.
- Remove the DLF filter magazine from the base if present.
- Press the polarizer holder in place (Fig. 18).
- Push the polarizer with the labeled side **upward** into the lower opening.

Fig. 18 Filter holder with 2 positions



Alternative:

- Attach the polarizer holder to the underside of the condenser holder with the left clamp screw (19.1). Remove the flip-out blue filter if required.
- Push the polarizer with the labeled side **upward** into the lower opening.

6.8 Lambda Plate Compensator*

- Raise the condenser to its upper stop position.
- Remove the DLF filter magazine from the base if present.
- Attach the lambda plate compensator to the base.

Fig. 19 Assembly of polarizer holder

1 Clamping screw



6.9 Optional Accessories

Camera

A camera can be connected via an adapter.

- Attach the adapter to the top port of the tube and fasten it tightly with the side clamping screw.
- Screw on the camera.



Note:

The size of the camera chip and the mounting system (B-mount, C-mount, etc.) must be considered when choosing an adapter.

See table.

Calculation of the magnification on the monitor

The magnification M_{TV} on the monitor can be calculated with the following formula or measured with a stage micrometer and a cm scale:

$$M_{TV} = \frac{\text{Objective magnification} \times \text{factor of magnification changer} \times \text{TV adapter magnification} \times \text{monitor diameter}}{\text{chip diameter of camera}}$$

Recorded picture diagonal in mm for				
1 inch camera	2/3 inch camera	1/2 inch camera	1/3 inch camera	

Without Zoom Magnification, Only for 1-Chip-Cameras:

C-mount adapter 1 x HC	16	11	8	6
C-mount adapter 0.63 x HC	-	17.5	12.7	9.5
C-mount adapter 0.5 x HC	-	-	16	12
C-mount adapter 0.35 x HC	-	-	-	17.1

With Zoom Magnification (Vario TV Adapter) for 1-3 Chip-Cameras:

C-mount, 0.32-1.6 x HC	-	-	19 ^{+) -5}	18-3.8
B-mount (ENG), 0.5-2.4 x HC (1/2-inch)	-	-	16-3.3	-

^{+) from zoom factor 0.42 x only!}

Without Zoom Magnification, for 1-3 Chip-Cameras:

C-mount adapter 1 x	-	-	16	12
B-mount adapter 1 x	-	-	16	12
B-mount adapter 1.25 x	-	17.5	-	-
F-mount adapter 1 x	-	-	16	12
F-mount adapter 1.25 x	-	17.5	-	-

Plus (essential requirement): TV optics 0.5 x HC

6. Assembly

Ergomodule

For raising the eye level of the tube opening, the 30 mm or 60 mm ergomodule may be used.

It is fastened in place with the side clamping screw.

Ergolift

A base for the stand featuring adjuster wheels for the base's height and angle is available to ensure an optimal working position.

Magnification Changer

Optionally, a magnification changer (fig. 20) can be used, which is manually operated. On the knurled ring, the following magnification factors can be set:

1x; 1.5x; 2x

Fig. 20 Magnification changer



Viewing Attachments

Viewing attachments featuring illuminated pointers are available for groups of up to 20 viewers.

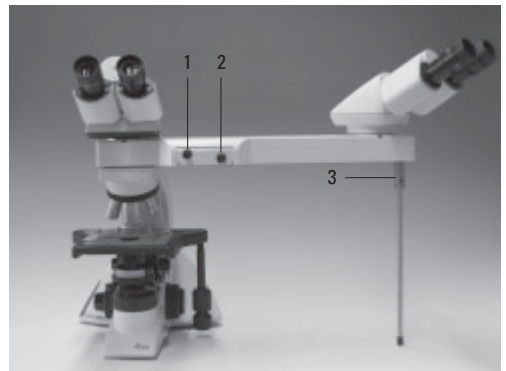
The support (21.3) must be aligned precisely.

The fade-in arrow can be moved in x and y direction (move the lever vertically or pull out/push in) (21.1) If this lever is rotated, the color of the arrow can be changed (red/yellow). Use the brightness control (21.2) to adjust the brightness of the arrow.

Fig. 21 Viewing attachment

- 1 Movement of light pointer in x and y direction, and switchover of color filter
- 2 Brightness control
- 3 Adjustment of arm support

The external power supply (illuminated arrow) is not illustrated.



Tracing Device

The tracing device L3/20 (fig. 22) allows an optical overlay of large objects (next to the microscope) on the microscope image. This makes it easy to draw specimens by tracing their outlines or superimposing scales.

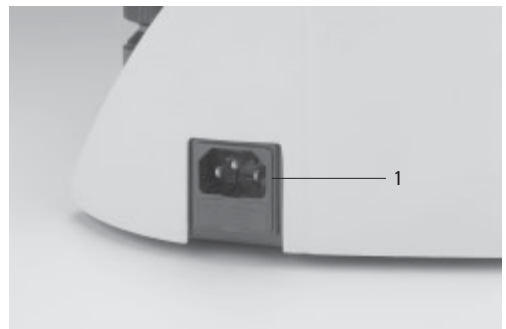
6.10 Connection to the Power Supply

- After completing the assembly work, connect the stand to the power supply using the power cable supplied (fig. 23).
- When using the lamp housing or the external power supply unit, connect them to the power supply, too.

Fig. 22 Tracing device
1 Shutter



Fig. 23 Back of the stand
1 Power supply connection



7. Start-up

7.1 Switching on the Microscope

- Switch on the microscope with the on/off switch (24.1).



Caution!

After turning on the gas discharge lamp, the burner must be immediately adjusted. Therefore, **do not** turn on the power supply unit yet. First, work in transmitted light in order to familiarize yourself with the microscope's controls.

Fig. 24

- 1 On/Off switch
- 2 Focus wheel
- 3 Stage positioning



7.2 Köhler Illumination

The condenser is also pre-adjusted in the factory.

However, it may be necessary to re-adjust the condenser in some cases. Therefore, check the condenser centering.

The following procedure is provided for the transmitted light brightfield illumination.

- If present click the condenser disk* into the BF position.
- If present pull the light ring slide* out of the condenser.
- Select an objective with moderate magnification (10x-20x).
For condensers with movable condenser heads:
Swing in the condenser top.
(The condenser top is swung out for objective magnifications < 10x.)
- Insert the specimen into the stage's specimen holder.
- Focus on the specimen using the focus wheel (24.2).
- Set the light intensity using the brightness control (25.2).
- Close the field diaphragm (25.3) until the edge of the diaphragm appears in the specimen plane (26a).

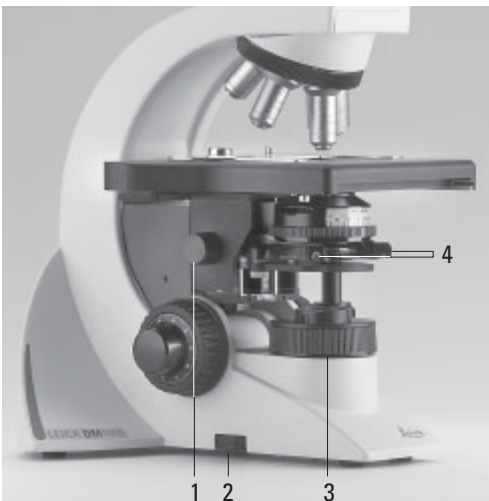
- Using the condenser height adjuster (25.1), adjust the condenser until the edge of the field diaphragm appears in sharp relief (26b).
- If the image does not appear in the middle of the field of view (26c), the condenser must be moved into the middle of the field of view with the help of the two centering bolts (25.4). The tool required for this purpose is magnetically attached to the underside of the stage.
- Open the field diaphragm just enough for it to disappear from the field of view (26d).

**Note:**

The condenser height adjustment depends on the thickness of the specimen. It may be adjusted for different specimens.

Fig. 25

- 1 Condenser height adjuster
- 2 Brightness control
- 3 Field diaphragm
- 4 Condenser centering

**7.3 Checking Phase Contrast Rings**

If your microscope is equipped for the use of phase contrast, the light rings that fit the objectives are built into the condenser.

The light rings are already centered in the factory. However, the centering should be rechecked.

**Note:**

A light ring slide which is inserted into the side of the condenser is used for condensers without condenser disks. Centering is not required in this case.

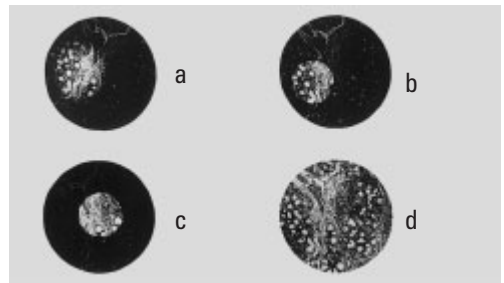
**Note:**

When swivelling in a suitable objective for phase contrast, the corresponding light ring must be chosen.

The objective engraving (e.g. PH 1) indicates the corresponding light ring (e.g. 1).

Fig. 26 Köhler Illumination

- a Field diaphragm not focused, not centered
- b Field diaphragm focused, but not centered
- c Field diaphragm
Diameter is too small, however
- d Field diameter (light) = Field diameter (view)
(Köhler Illumination)



7. Start-up

- In the place of an eyepiece, insert the focusing telescope (Fig. 27) into the observation tube.
- Swivel in the phase contrast objective with the lowest magnification.
- Focus on the specimen with the focus wheel.
- Focus the ring structure (29.a) by slightly loosening the clamping ring (27.2) and moving the eye lens (27.1).
- Retighten the clamping ring.
- Select the corresponding ring diaphragm (light ring) in the condenser.
- If the light ring and the phase ring are not shown as arranged in Fig. 29.c, the light ring must be centered.
- Insert the centering screws into the openings provided at the rear of the condenser (28.1).
- Turn the centering screws until the dark ring (phase ring in the objective) is congruent with the slightly narrower bright ring (light ring in condenser) (29 c).
- Repeat the process for all other light rings.
- Remove the centering keys after the centering procedure.

Fig. 27 Focusing telescope

- 1 Adjustable eye lens
- 2 Clamping ring for fixing the focus position



Fig. 28 Light ring centering (i.e.: condenser UCL/P)
1 Centering keys

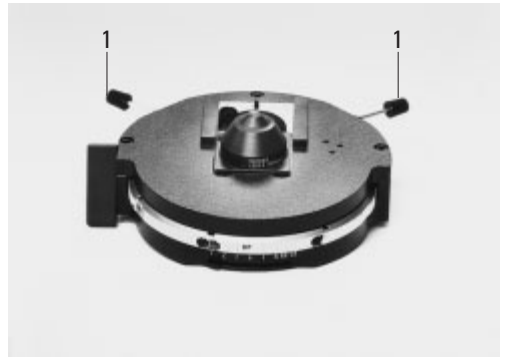
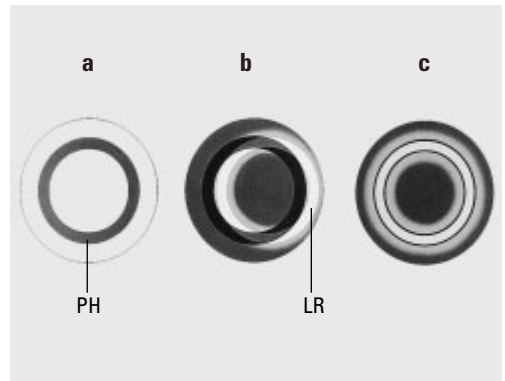


Fig. 29 Phase contrast centering procedure

- PH=phase contrast ring, LR=light ring
- a Condenser in bright field (BF) position
 - b Condenser in phase contrast (PH) position
Light ring (LR) not centered
 - c Light ring and phase ring centered



7.4 Adjusting the Light Sources

Centering is only required when using the 106 z lamp housing.

- When a supply unit is used, it is turned on first.



Caution!

Never look directly into the beam path!



Caution!

Light sources pose a potential irradiation risk (glare, UV-radiation, IR-radiation).

For the 106 z lamp housing, the direct arc image (for gas discharge lamps) and its mirror image are focused separately and adjusted to each other.

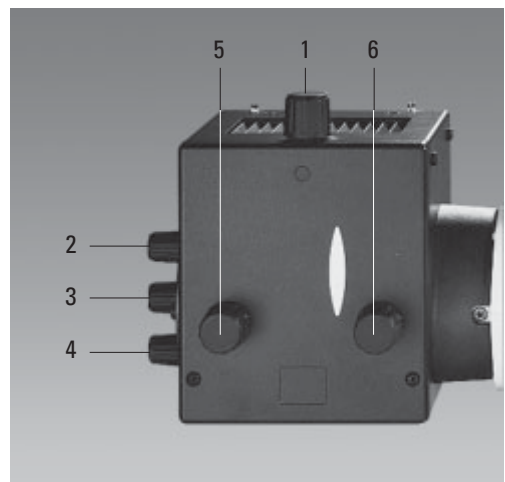
- Move the filter system or reflector into the light path.
- Open the shutter and remove any diffusing screens* from the light path.

- Put a piece of paper on the specimen stage and roughly focus the surface with a dry objective of low to medium magnification.
- Set the field and aperture diaphragms roughly at the center position.
- With a felt or ballpoint pen, make a marking at any position on the paper and slide it into the small illuminated field.
- Turn a vacant nosepiece position into the light path or remove the objective.

The light source will then be imaged onto the paper. While observing the light source, the lamp is adjusted as follows.

Fig. 30 106 z lamp housing

- 1 Lamp height adjustment
- 2,4 Mirror image height and side adjustment
- 3 Focusing the reflector
- 5 Lamp side adjustment
- 6 Collector (focusing of the lamp image)



7. Start-up

Centering the Hg 50 W Mercury Lamp

- In the adjustment window, you see the direct arc image and the mirror image, which in most cases are not aligned.
- Focus the direct image with the collector (30.6).
- Use the adjusting buttons on the rear side of the lamp housing (30.2, 30.4) to pivot the arc's mirror image to the side or completely out of the beam path. The lamp filament's focused image remains visible (Fig. 31).
- Use the adjusting buttons (30.1) and (30.5) to place the direct arc image to the right or left of an imaginary center line of the centering plane (Fig. 32).
- Then pivot the arc's mirror image with the adjusting knobs (30.2 and 4) and focus it using the reflector (30.3).
- Use the adjusting knobs (30.2 and 4) to orient the mirror image symmetrically to the direct image (Fig. 33).
- Defocus the image with the collector knob (30.6) until the arc image and mirror image are no longer recognizable and the image is homogeneously illuminated.

Fig. 31 Direct arc image focused but decentered (in reality, the image is less focused)

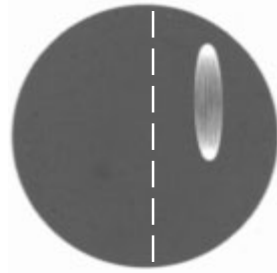


Fig. 32 Direct arc image in target position (in reality, the image is less focused)

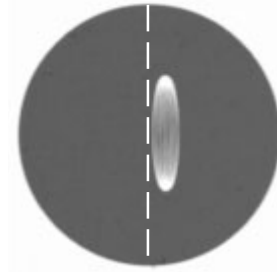
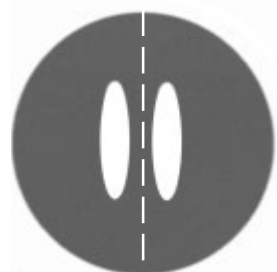


Fig. 33 Direct arc image and mirror image in target position (in reality, the image is less focused)



Centering the Hg 100 W and Xe 75 W Mercury Lamps

- On the paper, you see the direct arc image and the mirror image, which in most cases are not aligned.
- Focus the direct image with the collector (30.6).
- Use the adjusting buttons to pivot the arc's mirror image on the rear side of the lamp housing (30.2,30.4) to the side or completely out of the beam path. The arc's focused image remains visible (Fig. 34).
- Use the adjusting buttons (30.1 and 5) to place the direct arc image in the middle of the centering plane, whereby the bright tip of the arc, the focal spot, should lie slightly outside the center (Fig. 35).
- Then pivot the arc's mirror image with the adjusting knobs (30.2) and (30.4) and focus it using the reflector (30.3).
- Use the adjusting knobs (30.2 and 4) to orient the mirror image symmetrically to the direct image (Fig. 36).
The V-shaped irradiation of the direct image and mirror image arcs can be superimposed.



Caution!

The bright tips of the arcs, the focal spots, must never be projected onto each other, as this results in a danger of explosion by overheating.

Fig. 34 Direct arc image focused but not centered (in reality, the image is less focused)

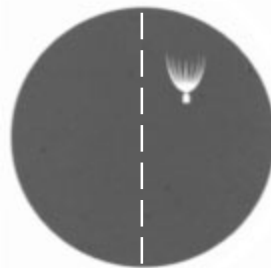


Fig. 35 Direct arc image in target position (in reality, the image is less focused)

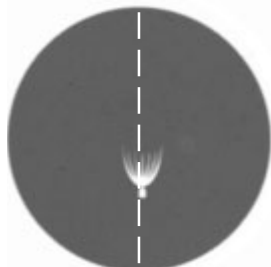
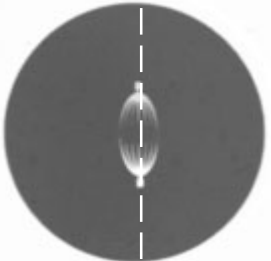


Fig. 36 Direct arc image and mirror image in target position (in reality, the image is less focused)





Caution:

In older lamps, the structure of the arc is no longer clearly recognizable. The image is then more like that of a HG 50 lamp. The image and mirror image can no longer be superimposed exactly. In this case, align both images.

- Using the collector, defocus the image with the knob (30.6) until the arc image and mirror image are no longer recognizable and the image is homogeneously illuminated.

8. Operation

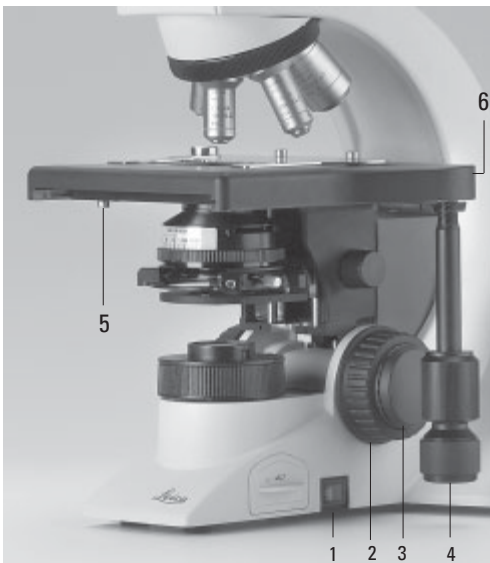
8.1 Switching on

When using a gas discharge lamp, the external supply unit must be turned on separately.

Switch on the microscope at the on/off switch (37.1).

Fig. 37

- 1 On/off switch
- 2 Coarse focusing
- 3 Fine focusing
- 4 Stage positioning
- 5 Stage lock screw
- 6 Coaxial pinion mounting screw



8.2 Stages and Object Displacement

Lengthening the Coaxial Pinion

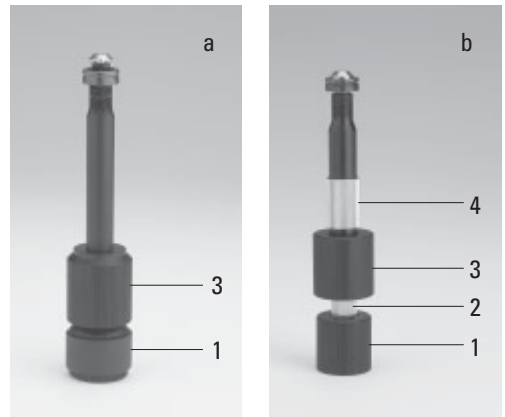
- For lengthening, pull the lower grip (38b.1) downward. Repeat with the upper grip (38b.2).

Torque Adjustment

The torque for x and y can be individually adjusted using two knurled rings (38b.2,38b.4).

Fig. 38a Standard coaxial pinion, **b** coaxial pinion with height and torque adjustment

- 1 Object displacement (Y-direction)
- 2 Torque adjuster (X-direction)
- 3 Object displacement (X-direction)
- 4 Torque adjuster (Y-direction)



8. Operation

Right-/Left-hand Operation

The coaxial pinion can be attached to either side of the stage (also see Assembly, p. 16f). To change the side, follow these steps:

- Loosen the lockscrew (37.5) at the bottom left-hand side of the stage. The necessary tool is attached to the bottom of the stage on the right-hand side.



Caution:

The condenser must be lowered!

- Slide the stage all the way back.
- Release the screw (37.6) on the coaxial pinion and pull the pinion out.
- Place the fine focus wheel (37.3) on the side to which you intend to mount the coaxial pinion. The wheel is held in place magnetically. Ensure that the button snaps into place. Attach the other focus knob on the opposite side.
- Fasten the coaxial pinion to the other side of the stage by retightening the appropriate screw.
- Return the stage to the starting position and retighten the lockscrew.
- Readjust the condenser.

8.3 Focusing

Coarse and Fine Focusing

Coarse and fine focusing wheels are located on either side of the stand (Fig. 37 and 39).

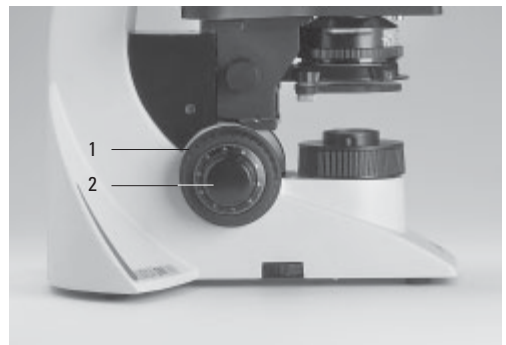
The special form of the flat fine focus wheel (Fig. 37.3) lets users enclose the coaxial pinion in their hands while operating the fine focus with one finger. The flat wheel should therefore be mounted onto the appropriate side. See right-/left-hand operation of the stage.

Height Adjustment of the Focusing Wheels

- Defocus the image by moving the stage down with a full turn of the **coarse** focus wheel (37.2, 39.1).
- Grasp the right-hand and left-hand focus knobs at the same time and press the knobs gently upward or downward into the desired position.
- Refocus the image.

Fig. 39 Focus knob with scale

- 1 Coarse focusing
- 2 Fine focusing



8.4 Tubes



Note:

Close any unused tube openings, as otherwise stray light can interfere with observation.

Adjusting the Viewing Distance

- Adjust the viewing distance of the eyepieces so that a congruent total image is seen (Fig. 40).

Adjusting the Viewing Angle

- For the HC LVB 0/4/4 and HC -/0/4 ergonomy tubes, the viewing angle can be adjusted by tilting the binocular viewer.
 - Ergotube (long, swivelable): 0° - 35°
 - Ergotube (short, swivelable): 7.5° - 32.5°
- For the AET22 and EDT22 ergotubes, the viewing angle can be adjusted by tilting the binocular viewer in the range of 5° - 32° (Fig. 41).

Fig. 40 Tube setting

↔ Personal eyebase settings

1 Scale (mm), 2 Intermediate module*, in illustration: Ergo module



Adjusting the Eyepiece Section to the Arm Length

- On the AET22 tube, the eyepieces can be extended up to 30 mm (Fig. 41).

Beam Splitting in Photo Tubes

EDT22 tube:

The beam splitting between the observation and documentation outputs has a definite presetting (50:50).

BDT25+ tube:

The beam splitting is set manually by pulling out a control bar.




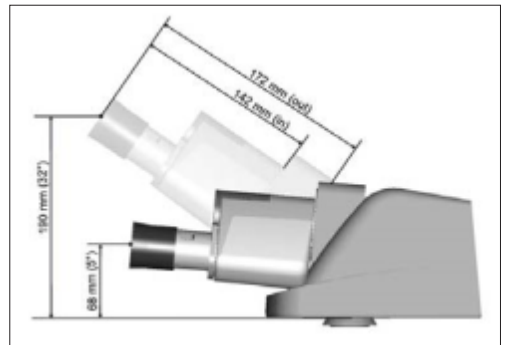
Control Bar	Observation	Photo
VIS 	100%	0%
50/50 	50%	50%
PHOTO 	0%	100%



Fig. 41 With AET22 tube individual adjustments



8. Operation

HC L 2TU tube:

The beam splitting is set manually by pulling out a control bar.

Control Bar		Observation	Photo
VIS		100%	0%
PHOTO		0%	100%

8.5 Eyepieces



Note:

The eyepiece's aperture protector must be removed or folded back during microscopy while wearing eyeglasses.

We recommend that users remove their glasses with bifocal or progressive-addition lenses when working with the microscope.

- For the adjustable tubes with documentation output, choose the 100% VIS position.

Eyepieces with Inlaid Reticle

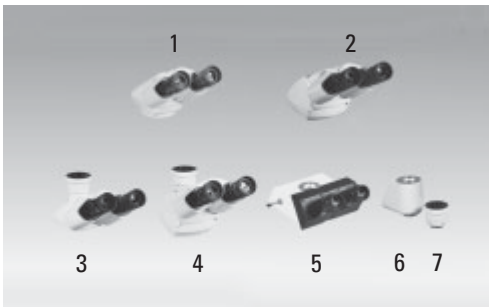
- Focus the reticle by adjusting the eyelens.
- Focus on the object through this eyepiece.
- Then, close that eye and focus on the object by adjusting only the second ocular.

Correction for Vision Problems

- With your right eye, look through the right eyepiece and bring the specimen into sharp focus.
- Then, with your left eye, view the same specimen and rotate the left eyepiece tube until the object is brought into sharp focus. Do not use the focus dial.

Fig. 42 Tube range HC L

- 1 Binocular observation tube HC LB 0/3/4
- 2 Ergonomy tube HC LVB 0/4/4, binocular, viewing angle 0-35°
additional ergotube (short) HC -/0/4, swivelable 7.5°-32.5°
- 3 Trinocular tube H L1T 4/5/7, with fixed beamsplitter (50%/50%)
- 4 HC L1VT 0/4/4 like 3, but with adjustable viewing angle of 0-35°
- 5 Trinocular tube with 3 switching positions HC L3TP 4/5/7
- 6 Photo adapter, with 2 exits (50%/50%)
- 7 Photo TV exit



8.6 Objectives

Changing Objectives

The objective must be moved manually into the light path. Be sure that the nosepiece turret locks into place.

When you rotate the objective into position, the settings for

- Field diaphragm → p. 41
- Aperture diaphragm → p. 40
- Light intensity → p. 40

should be checked.

- For **immersion objectives** use the appropriate immersion medium.

OIL: only use optical immersion oil according to DIN/ISO standards.
Cleaning → p. 54.

W: Water immersion.

IMM: Universal objective for water, glycerol, oil immersion.



Caution!

Follow safety instructions for immersion oil!



Note:

For lockable immersion objectives lock these by pushing the front part upwards until it stops (approx. 2 mm). Then, after a gentle turning motion to the right, the objective is locked (Fig. 44).

For objectives with corrective mounts turn the knurl to adjust the objective to the thickness of the cover glass.

Fig. 43 Immersion objective (released)



Fig. 44 Immersion objective (locked)



8. Operation

8.7 Light sources

Transmitted light

- Adjust the brightness with the dial (45.1).

The numbers on the dial are not absolute values, but are intended to enable reproducible settings. The maximum value is about 12 V, the marking point of a color temperature of approximately 3200 K.



Note:

The

HI PLAN xx SL and
HI PLAN CY xx SL

(Synchronized Light) objective lines permit objectives to be changed without adjusting the light intensity.

Fluorescence

- Switch on the lamp at the external power unit.



Caution!

Keep the lamphousing at least **10 cm** away from the wall, curtains, wallpaper, books and other combustible objects!

Fire Hazard!

Please read the separate documentation for the supply unit.

8.8 Aperture Diaphragm

The aperture diaphragm (46.3) determines the resolution, depth of field and contrast of the microscope image. The best resolution is obtained when the apertures of the objective and the condenser are roughly the same.

When the aperture diaphragm is stopped down to be smaller than the objective aperture, resolving power is reduced, but the contrast is enhanced. A noticeable reduction in the resolving power is observed when the aperture diaphragm is stopped down to less than 0.6x of the objective aperture and should be avoided where possible.

In polarization microscopy, stopping down the aperture diaphragm generally results in more intense colors.

The aperture diaphragm is set according to the viewer's subjective impression of the image, the scale on the dial is just to allow reproducible settings and does not represent absolute aperture values.

Fig. 45

1 Brightness control



Color-coded Condenser

The color markings on the condenser (46.2) correspond to the color rings of the objectives. When changing objectives, a suitable aperture diaphragm setting can be found by setting it to the matching color marking (corresponds to 2/3 of the objective-side aperture).



Attention:

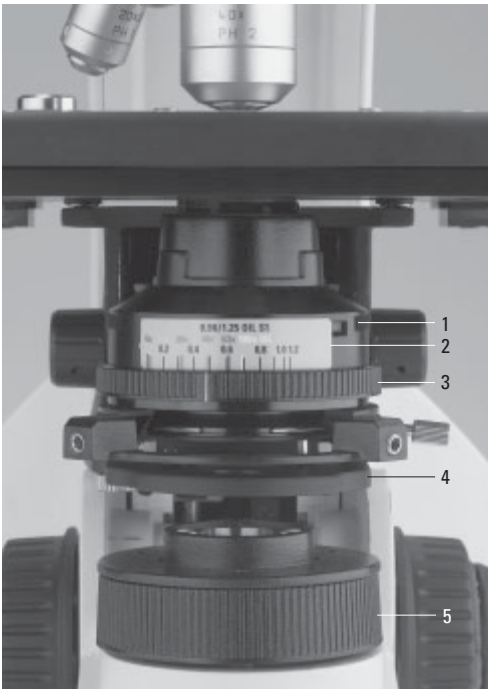
The aperture diaphragm in the **illumination light path** is **not** for setting the image brightness. Only the rotary brightness adjustment knob or the neutral density filter should be used for this.

An aperture diaphragm in the **objective** is normally fully opened. The reduction in image brightness caused by stopping down results in:

- Greater depth of field
- Less coverglass sensitivity
- Suitability for darkfield
- Change in contrast

Fig. 46 CL/PH condenser

- 1 Slot for light rings, etc.
- 2 Color coding
- 3 Aperture diaphragm
- 4 Filter holder
- 5 Field diaphragm



8.9 Field diaphragm

The field diaphragm (46.5) protects the specimen from unnecessary warming and keeps all light not required for image formation away from the object to enable greater contrast. It is therefore only opened just wide enough to illuminate the viewed or photographed object field. A change in magnification therefore always necessitates matching of the field diaphragm.

9. Contrast Methods

9.1 Transmitted Light

Objective Magnification 2.5 x*

The **CL/PH** and **CLP/PH condensers** can be used alone starting at **4x** magnification.

When using a diffuser slider*, **2.5x** magnification is also possible; not when using polarization, however.

The **UCL** and **UCLP condensers** can also be used alone starting at **4x** magnification.

When using an adapter lens* (in the condenser disk), **2.5x** magnification is also possible.

Before using the adapter lens, set Köhler illumination (→ p. 31) with 4x or 10x objective.

Switch over to objective 2.5x, engage the lens, open the aperture diaphragm as far as the stop and narrow the field diaphragm.

In case of arc-shaped vignetting, center the lens: insert both centering keys into the condenser at an angle from the back and adjust until the asymmetrical vignetting disappears. Remove the centering keys and open the field diaphragm.

The lens can only be used up to an objective magnification of max. 20x. Exact Köhler illumination can no longer be obtained!

The **Achr.Apl.0.9 (P) condenser** can be used alone starting at **4x** magnification.

With the condenser head swung out, **2.5x** objective magnification is possible without a diffuser; with the head swung in, the diffuser must be in place (max. eyepiece field number 22).

Magnifications of **1.6x** and **2.5x** are also possible with the CL/PH or CLP/PH, UCL or UCLP condensers if the condenser is removed completely. The field diaphragm then takes over the function of the aperture diaphragm.



Note:

If the microscope is equipped for polarization, the analyzer and polarizer as well as the lambda plate compensator must be removed or swung out when using other contrast methods.

9.1.1 Brightfield

- If present: click the condenser disk* into the BF position.
- If present: pull the light ring slide* out of the condenser.
- If present: switch the fluorescence illuminator into an empty position or filter system A.
- Insert a transmitted light specimen.
- Rotate an appropriate objective into place.
 - Movable condenser heads:
The condenser top is swung out for objective magnifications $< 10\times$.
- Bring the image into focus using the focus dial and set the brightness.
- For an optimal field diaphragm setting, check the Köhler illumination (\rightarrow p. 31).
- Use suitable transmitted-light filters as applicable (Fig. 47).

Fig. 47 Filter holders

DLF filter magazine for attachment to microscope base



Filter holder with 2 positions or 1 position for attachment to microscope base



Filter holder for screw attachment on condenser



9. Contrast Methods

9.1.2 Phase Contrast

- Insert a transmitted light specimen.
- Rotate an appropriate objective into place. Objectives that are suitable for phase contrast are engraved with **PH**.
- Bring the image into focus using the focus dial and set the brightness.
- For an optimal field diaphragm setting, check the Köhler illumination (→ p. 2831)
- Open the aperture diaphragm completely (position **PH**).
- Condensers UCL/UCLP and UCA/P:
Set the light ring corresponding to the objective on the condenser disk.
Example: Light ring **1** belongs to the objective with the engraving **PH 1**.
Condensers CL/PH, CLP/PH and APL. ACHR.0.9 (P):
Use the light ring slide.



Note:

Condensers UCL/UCLP and UCA/P: Light rings must be centered (→ p. 29).

9.1.3 Darkfield

- Insert a transmitted light specimen.
- Rotate an appropriate objective into place.
- Bring the image into focus using the focus dial and set the brightness.
- Condenser UCL/P:
Click the condenser disk into the **BF** position.
Condensers CL/PH, CLP/PH und APL. ACHR.0.9 (P):
Pull out the **DF** light ring slide as far as the stop.
Check the Köhler illumination (→ p. 28).
- Open the aperture diaphragm completely (position **PH**).
- Condenser UCL/P:
Click the condenser disk into the **DF** position.
Condensers CL/PH, CLP/PH und APL. ACHR.0.9 (P):
Insert the **DF** light ring slide as far as the stop.



Note:

Condensers UCL/UCLP and UCA/P: The **DF** light ring must be centered (→ p. 29).

Special dark field condensers are available for the DM1000 (Fig. 61).

The application potential of the DF condensers depends on the aperture of the objective in use. For objectives with built-in iris diaphragm, the aperture can be adapted.

DF condenser	max. objective aperture
D 0.80 - 0.95	0.75
D 1.20 - 1.44 OIL	1.10

9.1.4 Oblique Illumination

- First adjust transmitted light darkfield.
- To obtain a relief-like contrast:
Condenser UCA/P:
 Rotate condenser disk slightly out of the **DF** position.
Condensers CL/PH, CLP/PH und APL. ACHR.0.9 (P):
 Push **DF** slide in part way out of the **DF** position.

9.1.5 Polarization

- Swing the lambda plate of the lambda plate compensator out if necessary.
- Insert a specimen and rotate an appropriate objective into place.
- Bring the image into focus and set the Köhler illumination (→ p. 28).
- Depending on the equipment, the analyzer may already have been inserted into the tube mount during the assembly.
 Alternative:
If the analyzer mount TL* is used:
 Insert the analyzer as far as the clickstop into the microscope stand. The engraving λ must be on the underside.
When using the Pol intermediate tube*:
 Switch on the analyzer.
- Push the polarizer with the labelled side **upward** into the lower opening.

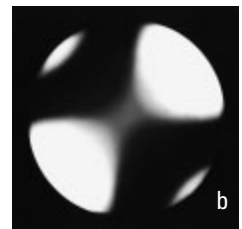
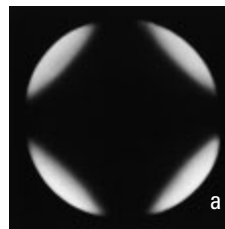
! Attention!

Always use the polarizer with the labelled side **upward**, as otherwise the integrated heat protection filter is ineffective and the special polarizer will become useless (discoloring!).

- Bring the polarizer and analyzer into cross position until they reach maximum darkness.
- Remove the object or find an empty area of the specimen.
- Push the analyzer into the stand as far as the 2nd clickstop or switch on the module.
- Remove compensators from the light path.
- Rotate the polarizer until you observe the maximum extinction position in the eyepiece (fig 48).
- Fix the cross position thus determined with the clamping screw.

Fig. 48

Crossing the polarizers when observing through a focusing telescope or Bertrand lens, high-aperture Pol objective
a exactly crossed, **b** not exactly crossed
 Pos. a cannot be set if there is strain in the condenser or objective, Pos. b is adequate for polarization contrast.



9. Contrast Methods

- If necessary:
Insert the λ or $\lambda/4$ compensator into the filter holder integrated in the condenser holder and rotate to the left, roughly as far as the stop.
CLP/PH condenser:
Insert the λ or $\lambda/4$ compensator into the slot on the side of the condenser.
Condensers UCLP and UCA/P:
Rotate the condenser disk into position λ or $\lambda/4$.
Alternative:
4x20 mm compensators can be pushed into the compensator slit.

9.2 Fluorescence

- Insert a suitable specimen and rotate an appropriate objective into place.
- Focus the image initially in transmitted light if appropriate.
- Switch on the incident light source at the external power unit.
- Open the shutter.
- Select an appropriate fluorescence filter cube.
- Switch magnification changer*, if present, to factor 1x.
- Disengage the BG 38 filter if there is no disturbing red background. Always engage the filter for photography, however.
- Open the aperture diaphragm.
- Open the field diaphragm until the whole field of view is just illuminated.
If necessary center the field diaphragm.

Fig. 49 Leica DM1000 with
Fluorescence illuminator and 106z lamphousing



10. Measurements with the Microscope

10.1 Linear Measurements

The following are required for linear measurements:

- Graticule with scale division in eyepiece or HC FSA 25 PE tube with diapositive overlay device or a digital linear measuring eyepiece
- Stage micrometer for calibration.

(→ Fig. 50, p. 48)

Micrometer Value

The micrometer value of the objective-eyepiece combination used must be known before the measurement, i.e. the distance in the specimen that corresponds to the length of a division on the graticule used.

Calibration:

- Align the stage micrometer and the graticule parallel to each other by rotating the eyepiece and adjust the zero marks of both scales to exactly the same height.
- Read how many scale divisions of the stage micrometer correspond to how many on the microscope scale (graticule).
- Divide the two values. The result is the micrometer value for the total magnification that has just been used.

Example:

If 1.220 mm of the stage micrometer corresponds to 50 divisions of the measurement scale, the micrometer value is $1.220:50 = 0.0244 \text{ mm} = 24.4 \text{ }\mu\text{m}$. For extremely low objective magnifications it may be that only part of the measurement scale can be used for calibration.



Notes:

If using a magnification changer:

Remember to take the additional magnification value into consideration! We strongly recommend you calibrate each objective separately instead of extrapolating the micrometer values of the other objectives from the calibration of one objective.

Measurement errors may occur if the eyepiece is not pushed into the tube as far as the stop.

Particularly large object structures can also be measured on the stage with the verniers (0.1 mm); the distance to be measured could be calculated from a combined x and y measurement.

10. Measurements with the Microscope

10.2 Thickness Measurements

In principle, thickness measurements can be carried out if both the upper and the lower surface of the object can be clearly focused. The difference in stage height setting (fine focus knob: distance between two divisions = ca. 1 μm) gives a value for transmitted light objects that is falsified by the refractive index of the object (which has been „transfocused“) and perhaps immersion oil. The true thickness of the object detail measured in transmitted light is given by the vertical stage movement (focusing difference) d' and the refractive indices n_o of the object and n_i of the medium between the coverglass and the objective (air = 1).

$$d = d' \frac{n_o}{n_i}$$

Example:

The upper and lower surfaces of a thin polished specimen have been focused with a dry objective ($n_i = 1.0$), scale readings of the mechanical fine drive (division spacing = 1 μm): 9.0 and 27.0.

Therefore $d' = 18 \times 1 = 18 \mu\text{m}$.

The refractive index of the object detail was taken to be $n_o = 1.5$.

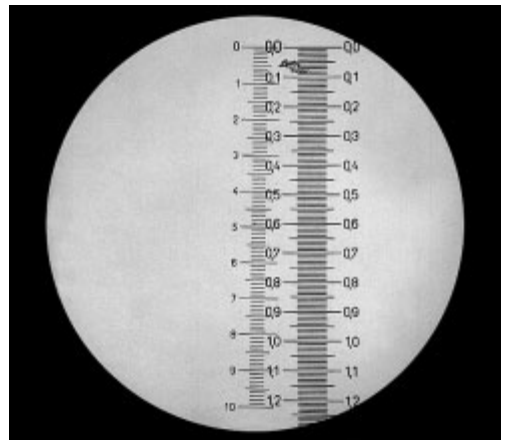
Thickness $d = 18 \times 1 \times 1.5 = 27 \mu\text{m}$.

Object Marker

The object marker is screwed in stead of an objective. When rotated, a diamond is lowered onto the coverglass or object surface, where circles of variable radii can be scribed to mark objects.

Fig. 50

Scale division of the graticule in the eyepiece (left) and image of the stage micrometer (right)



10.3 Differentiation of Gout / Pseudo Gout

The use of the lambda plate compensator is a prerequisite for this test.

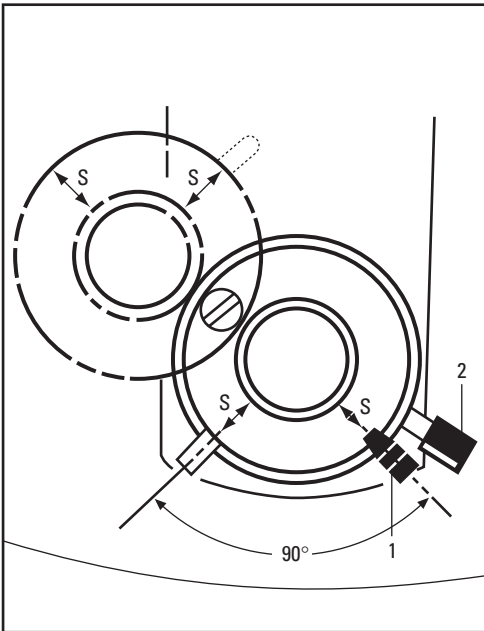
Assembly → p. 24.

Orienting the Lambda Plate Compensator

- Rotate the lambda plate compensator out of light path (fig. 51).
- Bring the lambda plate compensator and analyzer into cross position until they reach maximum darkness (polarization → p. 45).
- Fix the cross position thus determined with the clamping screw at the side (51.2).
- Swing in the lambda plate again.

Fig. 51 Lambda plate compensator swung out

- 1 Orientation handle
- 2 Clamping screw



The following section explains the basic procedure for gout/pseudo gout differentiation. This test is made possible due to the negative birefringence of urates and positive birefringence of pyrophosphates. Both gout (monosodium urate) and pseudo gout (calcium pyrophosphate) crystals tend to be needle shaped. However, many crystals may be broken and/or irregular. To do the test, it is necessary to find at least one intact crystal orientated North-South (i.e., vertically) and one East-West (horizontally) in the field of view.

Procedure

To insure the test is being done correctly, a slide of known monosodium urate crystals should be used initially.

- Use of a 40x objective is recommended.
- Swing the lambda plate out of the path of light (fig. 51).
- Place the slide on the stage and bring crystals into a sharp focus. The needle shaped crystals will appear white regardless of orientation.
- Swing in the lambda plate and put the orientation handle (51.1) into its extreme left position. Crystals with a long dimension in the N/S direction should appear yellow and the E/W direction blue (fig. 52).

10. Measurements with the Microscope

- Move the orientation handle to its extreme right position. Now the N/S crystals should be blue, and E/W yellow (fig. 52).
- Be sure to test crystals with the orientation handle in each position to insure positive identification.

The following is the procedure for identification of pseudo gout:

The test for pseudo gout is done identically to the test for gout. However, the color change is opposite that of Gout. That is, with the handle at the left extreme, N/S crystals are blue and E/W crystals are yellow, and vice versa with the level at the right side (fig. 53).

Fig. 52 Identification of gout

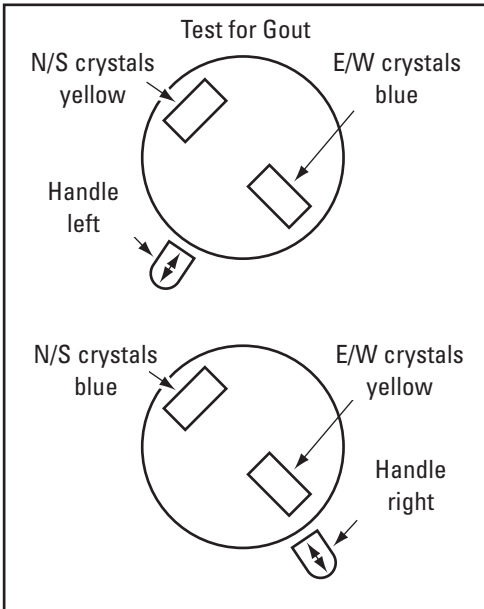
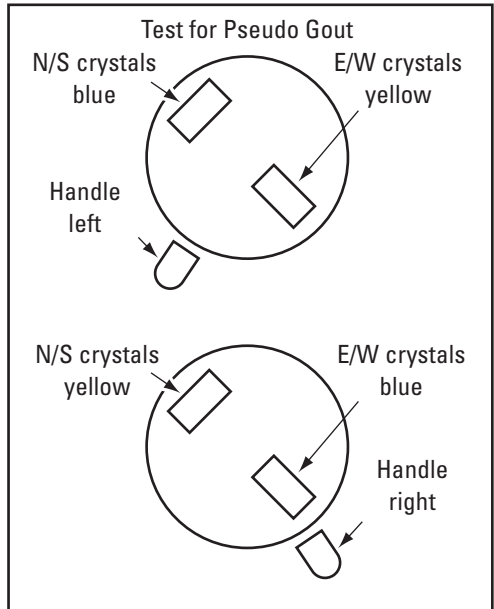


Fig. 53 Identification of pseudo gout



11. Trouble shooting

Problem	Cause/Remedy
Stand	
The microscope does not respond.	<ul style="list-style-type: none"> ▶ Make sure that voltage is available. ▶ Make sure that the stand is connected to the power supply. ▶ Check the cable connections. ▶ Check whether the fuse is defective and replace it if necessary (→ p. 55).
Illumination	
The image is completely dark.	<p>Transmitted light:</p> <ul style="list-style-type: none"> ▶ Ensure that the lamp in the integrated transmitted light illumination is not defective. Lamp replacement → p. 20 <p>Fluorescence:</p> <ul style="list-style-type: none"> ▶ Open the shutter (→ p. 46). ▶ Make sure that the lamps are connected to the power supply and that they are not defective Lamp replacement → p. 21ff ▶ Inform Leica Service and have the supply unit fuse checked.
The image is unevenly or not uniformly illuminated.	<ul style="list-style-type: none"> ▶ Remove all unneeded filters from the light path. ▶ Center the lamp (106 z lamp housing) (→ p. 31ff). ▶ Replace the old lamp (→ p. 20ff).
The illumination "flickers."	<ul style="list-style-type: none"> ▶ Be sure that there is no loose connection at the power supply. ▶ Replace the old lamp (→ p. 20ff).

11. Trouble shooting

Problem	Cause/Remedy
Fluorescence: The lamp does not illuminate immediately upon being switched on.	<ul style="list-style-type: none">▶ The external power supply must be switched on repeatedly.▶ Hot Hg lamps should cool down before switching on again.
Brightfield	
The specimen can not be brought into focus.	<ul style="list-style-type: none">▶ Use the correct immersion medium.▶ Lay the specimen with the cover glass towards the top.▶ Make sure that the cover glass thickness is correct and that it suits the indication on the objective.
Darkfield	
No definite DF contrast is possible.	<ul style="list-style-type: none">▶ Be sure that a DF objective is being used.▶ The objective aperture setting is too high (maximum 0.75/1.10). If necessary, reduce the objective aperture using the iris diaphragm on the objective.▶ Check the condenser centering.▶ Open the aperture diaphragm completely.
The image is unevenly or not uniformly illuminated.	<ul style="list-style-type: none">▶ The magnification is too weak. Use a higher magnification.
Undesirable stray light.	<ul style="list-style-type: none">▶ Clean the specimen and neighboring lenses (→ p. 54).

Problem	Cause/Remedy
Phase Contrast	
No phase contrast is possible.	<ul style="list-style-type: none"> ▶ The specimen is too thick, too thin or too brightly stained. ▶ Refractive index of mounting medium and specimen is identical so that there is no phase jump. ▶ The cover glass is not placed evenly. ▶ Check the right light ring (→ p. 44). ▶ Check the centering of the light rings (→ p. 29). ▶ Check the condenser centering. ▶ Open the aperture diaphragm completely.
Polarization	
No polarization contrast is possible.	<ul style="list-style-type: none"> ▶ Bring the polarizer and analyzer into cross position until they reach maximum darkness (without specimen) (→ p. 45).
Fluorescence	
The image is completely dark (no fluorescence).	<ul style="list-style-type: none"> ▶ Open the shutter (→ p. 46). ▶ Check the antigen-antibody combination. ▶ Insert a new lamp (→ p. 21ff).
The fluorescence is too weak.	<ul style="list-style-type: none"> ▶ Center the lamp (→ p. 31ff). ▶ Insert a new lamp (→ p. 21ff).

12. Care of the Microscope



Caution!

Unplug the power supply before performing cleaning and maintenance work!

Protect electrical components from moisture!

Microscopes in warm and warm-damp climatic zones require special care in order to prevent fungus contamination.

The microscope should be cleaned after each use, and the microscope optics should be kept extremely clean.

12.1 Dust Cover



Note:

To protect against dust, cover the microscope and accessories with the dust cover after each use.



Caution!

Let lamps cool down before covering the stand with a dust cover. The dust cover is not heat-resistant. In addition, condensation may occur.

12.2 Cleaning



Caution:

Residual fiber and dust can create unwanted background fluorescence.

Cleaning Coated Parts

Dust and loose dirt particles can be removed with a soft brush or lint-free cotton cloth.

Clinging dirt can be cleaned with all commercially available water solutions, benzine or alcohol.

For cleaning coated parts, use a linen or leather cloth that is moistened with one of these substances.



Caution:

Acetone, xylene or nitro-containing thinner can harm the microscope and thus may not be used.

Test clean solutions of unknown composition first on a less visible area of the unit. Be sure that coated or plastic surfaces do not become matted or etched.

Cleaning Glass Surfaces

Remove dust on glass surfaces with a fine, dry and lint-free brush, or by blowing with a blow bag or vacuum suction.

Carefully remove stubborn dirt on glass surfaces with a clean cloth moistened with distilled water. If the dirt still cannot be removed, use pure alcohol, chloroform or benzene.

Cleaning Objectives

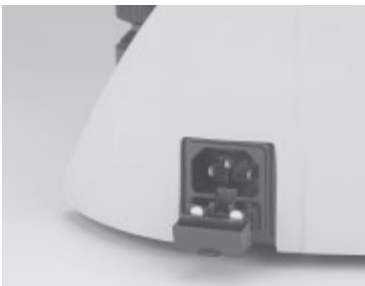


Caution!

The objective may not be unscrewed during cleaning. If damage appears on inner surfaces, the objectives must be sent to your Leica dealer for repair. We also advise against cleaning the inside surfaces of the eyepieces.

The front lenses of objectives are cleaned as described under "Cleaning Glass Surfaces". The upper lens is cleaned by being blown off with a pneumatic pump.

Fig. 54
Fuse module



Removing Immersion Oil



Caution!

Follow safety instructions for immersion oil!

First, wipe off the immersion oil with a clean cotton cloth, and then re-wipe the surface several times with ethyl alcohol.

12.3 Handling Acids and Bases

For examinations using acids or other aggressive chemicals, particular caution must be taken.



Caution:

Never allow the optics and mechanical parts to come into contact with these chemicals.

12.4 Changing Fuses

The fuse module (fig. 54) at the back of the stand can be removed with a sharp object.

Fuse data → p. 8

Order no. → p. 56



Caution!

Never use any fuses as replacements other than those of the types and the current ratings listed here. Using patched fuses or bridging the fuse holder is not permitted. The use of incorrect fuses may result in a fire hazard.

13. Essential Wear and Spare Parts

Order No. Material No.	Name	Used for
<u>Replacement Lamp</u>		
11 500 319	Halogen lamp 12 V 30 W	integrated illumination
11 500 974	Halogen lamp 12 V 100 W	107/2 lamp housing
11 500 137	High-pressure mercury burner 50 W	106 z lamp housing
11 500 138	High-pressure mercury burner 100 W	106 z lamp housing
11 500 321	High-pressure mercury burner 100 W (103 W/2)	106 z lamp housing
11 500 139	High-pressure xenon burner 75 W	106 z lamp housing
<u>Screw cap for unused objective receptacles</u>		
020-422.570-000	Screw cap M 25	objective turret
<u>Replacement eyecup (diaphragm protection) for HC PLAN eyepiece</u>		
021-500.017-005	HC PLAN eyecup	10x/25 eyepiece
021-264.520-018	HC PLAN eyecup	10x/22 eyepiece
021-264.520-018	HC PLAN eyecup	10x/20 eyepiece
<u>Immersion Oil</u> conforming to DIN/ISO standards, fluorescence-free		
11 513 787	10 ml	OIL and IMM objectives and oil condenser heads
11 513 522	100 ml	
11 513 788	500 ml	
<u>Fuses</u>		
11 826 365	F 3,15 A 250 V	Fuse for microscope stand

14. Retrofitting Components

14.1 Equipping the Condenser Disk

- Turn the stage upwards and lower the condenser.
- Remove the condenser by loosening the condenser's clamping screw.

Condenser UCL/UCLP

- Remove out the screw (55.1) completely.
- Turn back the centering screws until the light rings, λ - and $\lambda/4$ - compensator* and lens* 2.5x can be inserted.

The largest hole is for brightfield observation (= BF), the slightly smaller ones are for light rings, λ - and $\lambda/4$ - compensator or lens* 2.5x.

Fig. 55 Condenser UCL

- 1 Fixing screw for condenser disk



Notes:

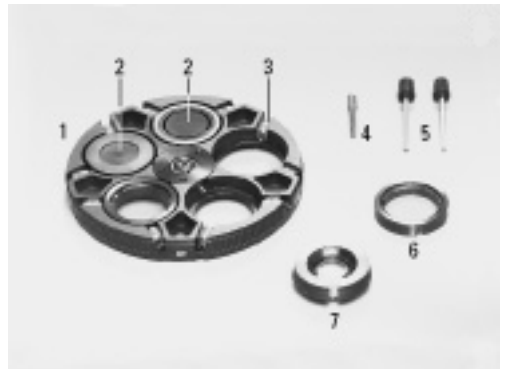
If you use a smaller hole for brightfield, the maximum illumination aperture cannot be used.

The lettering (e.g. DF, PH 1, λ) must point **upward**, the λ or $\lambda/4$ compensators must be inserted with the correct orientation: The notch must point towards the center of the disk! The lettering of the components should correspond to the marking at the opposite position (outer edge of the disk).

- Tighten the centering screws until the components are roughly in the center of the holes.

Fig. 56 UCL condenser disk

- 1 Condenser disk
- 2 Light ring or λ - or $\lambda/4$ -compensator
- 3 Centering screws
- 4 Axis
- 5 Centering keys
- 6 λ - oder $\lambda/4$ -Platte
- 7 2.5 x...20 auxiliary lens



14. Nachrüstungen



Attention:

Before fitting the disk into the condenser, make sure that neither of the centering screws is sticking out at the side.

- Fasten the condenser disk with the axis screw, check that the disk rotates properly through 360° .
- Affix the condenser with the condenser's clamping screw.

Condenser UCA/P

- Unscrew the fastening screw of the disk. This is found on the underside of the condenser and must be fully screwed out.
- Turn back the centering screws until the light rings, λ - and $\lambda/4$ - compensator* and lens* 2.5x can be inserted.

The largest hole is for brightfield observation (= BF), the slightly smaller ones are light rings, λ - and $\lambda/4$ - compensator or lens* 2.5x.



Notes:

If you use a smaller hole for brightfield, the maximum illumination aperture cannot be used.

The lettering (e.g. DF, PH 1, λ) must point **upward**, the λ or $\lambda/4$ compensators must be inserted with the correct orientation: The notch must point toward the center of the disk! The lettering of the components should correspond to the marking at the opposite position (outer edge of the disk).



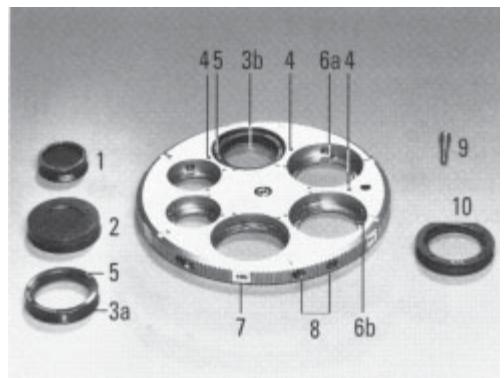
Attention:

Before fitting the disk into the condenser, make sure that neither of the centering screws is sticking out at the side.

- Fasten the condenser disk with the axis screw, check that the disk rotates properly through 360° .
- Affix the condenser with the condenser's clamping screw.

Fig. 57 UCA/P condenser disk

- 1 Light ring „small, PH“
- 2 Light ring „large“ for large holes
- 3 a, b DIC condenser prism
- 4 Marking for assembly of DIC condenser prisms
- 5 Marking K on the prism mount
- 6 Guide groove for prism
- 7 Adhesive label
- 8 Centering screws
- 9 Rotatable axis
- 10 λ or $\lambda/4$ compensator



15. Index

- 106 z Lamp Housing 21, 31
- Adapter lens** 42
- Adjusting the light sources 31
- Ambient conditions 14
- Analyzer 19, 24, 45
- Analyzer mount TL 19, 24, 45
- Aperture diaphragm 40, 41
- Auxiliary condenser lens LS 18
- Beam splitting** 37
- BG 38 46
- Brightfield 43
- Brightness 40
- Camera** 25
- Care 54
- Changing fuses 55
- Changing objectives 39
- Cleaning 54
- Coarse focusing 36
- Coaxial pinion 16, 35
- Color-coded condenser 41
- Compensators 45, 46
- Condenser 11, 18
- Condenser centering 29
- Condenser disk 57
- Condenser head 28, 43
- Condenser height adjuster 18, 29
- Condenser holder 18
- Connection to the power supply 27
- Contrast method 10
- Corrective mounts 39
- Cross position 45
- Darkfield** 44
- DLF filter magazine 43
- Dust cover 54
- Electrical safety** 8
- Ergolift 26
- Ergomodule 26
- Eyepiece section 37
- Eyepieces 19, 38
- Field diaphragm** 41
- Filter holder(s) 24, 41, 43
- Fine focusing 36
- Fluorescence 46
- Fluorescence filter cube 46
- Fluorescence illuminator 21
- Focusing 36
- Focusing telescope 30
- Focusing wheels 36
- Fuse 56
- Gas discharge lamps** 21, 22, 23
- Gout / Pseudo gout 49
- Heat protection filter** 45
- Height adjustment of the focusing wheels 36
- Hg 100 W and Xe 75 W mercury lamps 33
- Hg 50 burner 22
- Hg 50 W mercury lamp 32
- Immersion objective** 39
- Immersion oil 39, 55, 56
- Inlaid reticle 38
- Installation location 14
- Integrated illumination 20
- Intermediate tube pole 19, 24
- Köhler illumination** 28
- Lambda plate** 45, 46
- Lambda plate compensator 24, 49
- Lengthening the coaxial pinion 35
- Light intensity 40
- Light ring 29, 41, 44
- Light ring centering 30
- Light ring slide 29, 44
- Light sources 40
- Linear measurements 47
- Magnification changer** 26
- Micrometer value 47
- Object displacement** 35
- Object marker 48
- Objective magnification 2.5 x 42
- Objective turret 10
- Objectives 19, 39
- Oblique illumination 45
- Phase contrast** 44
- Phase contrast rings 29
- Pol intermediate tube 45
- Polarization 45
- Polarizer 24, 45
- Polarizer holder 24
- Replacement lamp** 56
- Replacing the lamp 20
- Right-/left-hand operation 36
- Safety notes** 8
- Shutter 46
- Specifications 8
- Specimen holder 16
- Stage 16, 35
- Supply unit 21, 35
- Thickness measurements** 48
- Torque 35
- Tracing device 27
- Transmitted light 42
- Transmitted light filter 43
- Transmitted light illumination 20
- Transport 15
- Tube 19, 37
- Tube openings 37
- Tube range 38
- Viewing angle** 37
- Viewing attachments 26
- Viewing distance 37
- Vision problems 38
- Xe 75 burner** 22

16. EU Declaration of Conformity

Download:

http://www.light-microscopy.com/down_ce-declaration_dm1000



Leica DM1000

Bedienungsanleitung

Leica
MICROSYSTEMS

Copyrights

Alle Rechte an dieser Dokumentation liegen bei der Leica Microsystems Wetzlar GmbH. Eine Vervielfältigung von Text und Abbildungen - auch von Teilen daraus - durch Druck, Fotokopie, Mikrofilm oder andere Verfahren, inklusive elektronischer Systeme, ist nur mit ausdrücklicher schriftlicher Genehmigung der Leica Microsystems Wetzlar GmbH gestattet.

Die in der folgenden Dokumentation enthaltenen Hinweise stellen den derzeit aktuellen Stand der Technik sowie den derzeit aktuellen Wissensstand dar. Die Zusammenstellung von Texten und Abbildungen haben wir mit größter Sorgfalt durchgeführt. Trotzdem kann für die Richtigkeit des Inhaltes dieses Handbuches keine Haftung irgendwelcher Art übernommen werden. Wir sind jedoch für Hinweise auf eventuell vorhandene Fehler jederzeit dankbar.

Die in diesem Handbuch enthaltenen Informationen können ohne vorherige Ankündigung geändert werden.

Inhalt

1. Wichtige Hinweise zur Anleitung	6	8.5 Okulare	38
2. Zweckbestimmung des Mikroskops	7	8.6 Objektive	39
3. Sicherheitshinweise	8	8.7 Lichtquellen	40
3.1 Allgemeine Sicherheitshinweise	8	8.8 Aperturblende	40
3.2 Elektrische Sicherheit	8	8.9 Leuchtfeldblende	41
4. Geräteübersicht	10	9. Kontrastverfahren	42
5. Auspacken	14	9.1 Durchlicht	42
6. Montage des Mikroskops	16	9.1.1 Hellfeld	43
6.1 Objektisch	16	9.1.2 Phasenkontrast	44
6.2 Kondensator	18	9.1.3 Dunkelfeld	44
6.3 Tubus und Okulare	19	9.1.4 Schiefe Beleuchtung	45
6.4 Objektive	19	9.1.5 Polarisation	45
6.5 Lichtquelle für die Durchlichtachse	20	9.2 Fluoreszenz	46
6.6 Komponenten für Fluoreszenzanwendungen	21	10. Messungen mit dem Mikroskop	47
6.6.1 Fluoreszenzilluminator	21	10.1 Längenmessungen	47
6.6.2 Lampenhaus 106z	21	10.2 Dickenmessungen	48
6.7 Analysator und Polarisator	24	10.3 Differenzierung von Gicht/Pseudogicht	49
6.8 Lambda-Plattenkompensator	24	11. Trouble Shooting	51
6.9 Optionales Zubehör	25	12. Pflege des Mikroskops	54
6.10 Anschluss an die Stromversorgung	27	12.1 Staubschutz	54
7. Inbetriebnahme	28	12.2 Reinigung	54
7.1 Einschalten	28	12.3 Umgang mit Säuren und Basen	55
7.2 Köhlersche Beleuchtung	28	12.4 Sicherungswechsel	55
7.3 Phasenkontrastringe überprüfen	29	13. Wichtigste Verschleiß- und Ersatzteile	56
7.4 Justieren der Lichtquellen	31	14. Nachrüstungen	57
8. Bedienung	35	14.1 Bestücken der Kondensorscheibe	57
8.1 Einschalten	35	15. Index	59
8.2 Tische und Objektverschiebung	35	16. EU-Konformitätserklärung	60
8.3 Fokussierung	36		
8.4 Tuben	37		

1. Wichtige Hinweise zur Anleitung



Achtung!

Diese Bedienungsanleitung ist ein wesentlicher Bestandteil des Mikroskops und muss vor Montage, Inbetriebnahme und Gebrauch sorgfältig gelesen werden.

Diese Bedienungsanleitung enthält wichtige Anweisungen und Informationen für die Betriebssicherheit und Instandhaltung des Mikroskops und der Zubehörteile. Sie muss daher sorgfältig aufbewahrt werden.

Textsymbole, Piktogramme und ihre Bedeutung:

(1.2)

Ziffern in Klammern, z.B. (1.2), beziehen sich auf Abbildungen, im Beispiel Abb.1, Pos. 2.

→ S.20

Ziffern mit Hinweispfeil, z.B. → S.20, weisen auf eine bestimmte Seite dieser Anleitung hin.



Achtung!

Besondere Sicherheitshinweise in dieser Anleitung sind durch das nebenstehende Dreieckssymbol gekennzeichnet und grau unterlegt.



Achtung! Bei einer Fehlbedienung können Mikroskop bzw. Zubehörteile beschädigt werden.



Erklärender Hinweis.



nicht in allen Ausrüstungen enthaltene Position.

2. Zweckbestimmung des Mikroskops

Das Mikroskop Leica DM1000, zu dem diese Bedienungsanleitung gehört, ist für biologische Routine- und Forschungsanwendungen vorgesehen. Dies schließt die Untersuchung von aus dem menschlichen Körper stammenden Proben zum Zwecke der Informationsgewinnung über physiologische oder pathologische Zustände oder angeborene Anomalien oder zur Prüfung auf Unbedenklichkeit und Verträglichkeit bei potenziellen Empfängern oder zur Überwachung therapeutischer Maßnahmen ein.

Das oben genannte Mikroskop entspricht der EG-Richtlinie 98/79/EG über In-vitro-Diagnostika. Gleichzeitig erfüllt das Gerät die EG-Richtlinien 73/23/EWG betreffend elektrische Betriebsmittel und 89/336/EWG über die elektromagnetische Verträglichkeit für den Einsatz in industrieller Umgebung.



Achtung!

Für jegliche nicht-bestimmungsgemäße Verwendung und bei Verwendung außerhalb der Spezifikationen von Leica Microsystems Wetzlar GmbH, sowie gegebenenfalls daraus entstehender Risiken übernimmt der Hersteller keine Haftung. In solchen Fällen verliert die Konformitätserklärung ihre Gültigkeit.



Achtung!

Dies (IVD-) Gerät ist nicht zur Verwendung in der nach DIN VDE 0100-710 definierten Patientenumgebung vorgesehen. Es ist auch nicht zur Kombination mit Medizingeräten nach der EN 60601-1 vorgesehen. Wird ein Mikroskop mit einem Medizingerät nach EN 60601-1 elektrisch leitend verbunden, so gelten die Anforderungen nach EN 60601-1-1.

3. Sicherheitshinweise

3.1 Allgemeine Sicherheitshinweise

Dieses Gerät der Schutzklasse 1 ist gemäß EN 61010-2-101:2002, EN 61010-1:2001, IEC 1010-1:2001, Sicherheitsbestimmungen für elektrische Mess-, Steuer-, Regel- und Laborgeräte gebaut und geprüft.



Achtung!

Um diesen Auslieferungszustand zu erhalten und einen gefahrlosen Betrieb sicherzustellen, muss der Anwender die Hinweise und Warnvermerke beachten, die in dieser Bedienungsanleitung enthalten sind.



Achtung!

Die in der Bedienungsanleitung beschriebenen Geräte bzw. Zubehörkomponenten sind hinsichtlich Sicherheit oder möglicher Gefahren überprüft worden.

Bei jedem Eingriff in das Gerät, bei Modifikationen oder der Kombination mit Nicht-Leica-Komponenten, die über den Umfang dieser Anleitung hinausgehen, muss die zuständige Leica-Vertretung oder das Stammwerk in Wetzlar konsultiert werden!

Bei einem nicht autorisierten Eingriff in das Gerät oder bei nicht bestimmungsgemäßem Gebrauch erlischt jeglicher Gewährleistungsanspruch!

3.2 Elektrische Sicherheit

Allgemeine technische Daten

Mikroskop

Verwendung nur in Innenräumen.

Versorgungsspannung:	90-250 V~
Frequenz:	50-60 Hz
Leistungsaufnahme:	90 W
Sicherungen:	F 3,15 A 250 V
Umgebungstemperatur:	15-35°C
Relative Luftfeuchtigkeit:	max. 80% bis 30°C
Überspannungskategorie:	II
Verschmutzungsgrad:	2



Achtung!

Der Netzstecker darf nur in eine Steckdose mit Schutzkontakt eingeführt werden.

Die Schutzwirkung darf nicht durch eine Verlängerungsleitung ohne Schutzleiter aufgehoben werden. Jegliche Unterbrechung des Schutzleiters innerhalb oder außerhalb des Gerätes oder Lösen des Schutzleiteranschlusses kann dazu führen, dass das Gerät gefahrbringend wird. Absichtliche Unterbrechung ist nicht zulässig!



Achtung!

Es ist sicherzustellen, dass nur Sicherungen vom angegebenen Typ und der angegebenen Nennstromstärke als Ersatz verwendet werden. Die Verwendung anderer Sicherungen oder Überbrückung des Sicherungshalters ist unzulässig. Es besteht Feuergefahr bei Verwendung anderer Sicherungen.



Achtung!

Schützen Sie das Mikroskop vor zu hohen Temperaturschwankungen. Es kann zur Kondensatbildung und Beschädigung elektrischer und optischer Komponenten kommen.
Betriebstemperatur: 15-35°C.



Achtung!

Die elektrischen Zubehörkomponenten des Mikroskops sind nicht gegen Wassereintritt geschützt. Wassereintritt kann zu einem Stromschlag führen.



Achtung!

Schalten Sie vor dem Austausch der Sicherungen oder der Lampen unbedingt den Netzschalter aus und entfernen Sie das Netzkabel.

4. Geräteübersicht

Spezifikation	Leica DM1000
Kontrastverfahren	<ul style="list-style-type: none">• Durchlicht: Hellfeld, Dunkelfeld, Phasenkontrast, Polarisation• Auflicht: Fluoreszenz
Durchlichtachse	Halogeneinbaubeleuchtung manuelle Einstellung von <ul style="list-style-type: none">• Helligkeit• Aperturblende• Leuchtfeldblende (nur mit Koehler-Kit)
Auflichtachse	Auflichtfluoreszenzilluminator bis Okularsehfeldzahl 20 mit <ul style="list-style-type: none">• Wechselschieber zur Aufnahme von 3 Filtersystemen• Justierlinse für Lampe• Lichtfalle zur Unterdrückung von Fremdlicht• Blaufilter BG38 und Shutter, schaltbar
Tubus	wahlweise mit <ul style="list-style-type: none">• festem oder variablem Einblickwinkel• bis zu 3 Schaltstellungen• einem oder zwei Kameraausgängen• Ergotubus mit höhenverstellbarem Einblick und Kameraausgang
Vergrößerungswechsler (optional)	<ul style="list-style-type: none">• manuell• Vergrößerungsstufen: 1x; 1,5x; 2x
Objektivrevolver	<ul style="list-style-type: none">• manuell• 5-fach für Objektive mit M25-Gewinde
XY Tisch	<ul style="list-style-type: none">• mit Kondensorhalter• Koaxialtrieb optional: teleskopierbar• Rechts-/Linksbedienung wechselbar

Spezifikation	Leica DM1000
Kondensator	<ul style="list-style-type: none">• Kondensator CL/PH 0.90/1.25 OIL mit Farbkodierung• Kondensator CLP/PH 0.85 für Polarisation• Kondensator Achr.apl. A 0.9 (P) mit ein-/ausschwenkbarem Kondensorkopf• Universalkondensator UCL 0.90/1.25 OIL UCLP 0.85 für Polarisation mit Lichtringscheibe mit 5 Positionen• Pol-Universalkondensator UCA/P mit wechselbarem Kondensorkopf und Kondensorscheibe mit 6 Positionen
Fokussierung	<ul style="list-style-type: none">• Fokushandrad für Grob- und Feinfokussierung• Höhenverstellung



Abb. 1 Linke Stativseite Leica DM1000

- 1 Grob- und Feinfokussierung
- 2 Kondensorhöhenverstellung
- 3 Helligkeitseinstellung
- 4 Leuchtfeldblende
- 5 Aperturblende
- 6 Kondensor

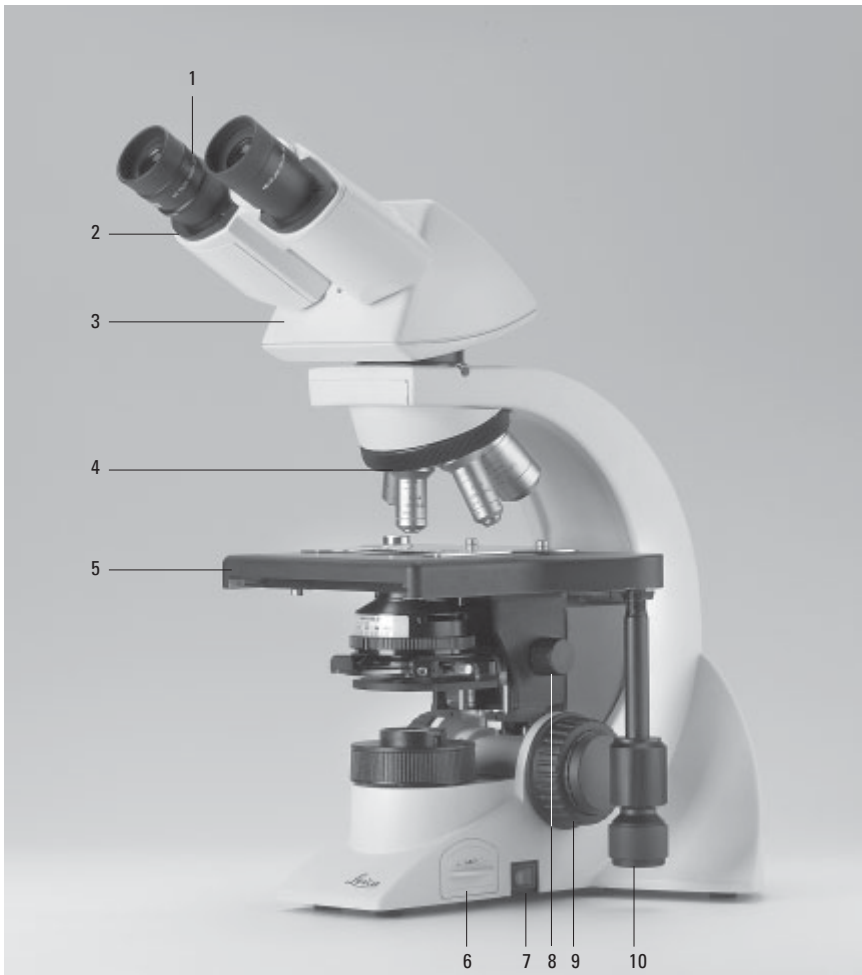


Abb. 2 Rechte Stativseite Leica DM1000

- 1 Okulare
- 2 Okularstutzen
- 3 Tubus
- 4 Objektivrevolver mit Objektiven
- 5 Objektisch mit Präparatehalter
- 6 Einbaubeleuchtung
- 7 Ein-/Ausschalter
- 8 Kondensorhöhenverstellung
- 9 Grob- und Feinfokussierung
- 10 Koaxialtrieb zur x-, y-Tischverschiebung

5. Auspacken

Entnehmen Sie zunächst vorsichtig alle Komponenten dem Transport- und Verpackungsmaterial.



Hinweis:

Das Berühren der Linsenoberfläche der Objektivse ist möglichst zu vermeiden. Entstehen dennoch Fingerabdrücke auf den Glasflächen, so sind diese mit einem weichen Leder- oder Leinenlappen zu entfernen. Schon geringe Spuren von Fingerschweiß können die Oberflächen in kurzer Zeit angreifen. Weitere Hinweise im Kapitel „Pflege des Mikroskops“ → S. 54.



Achtung!

Mikroskop und Peripheriegeräte auf keinen Fall bereits jetzt an die Steckdose anschließen!

Aufstellungsort

Das Arbeiten mit dem Mikroskop sollte in einem staubfreien Raum erfolgen, der frei von Öl- und anderen chemischen Dämpfen und extremer Luftfeuchtigkeit ist. Am Arbeitsplatz sollen außerdem große Temperaturschwankungen, direkt einfallendes Sonnenlicht und Erschütterungen vermieden werden. Hierdurch können Messungen bzw. mikrografische Aufnahmen gestört werden.

Zulässige Umgebungsbedingungen:

Temperatur	15–35°C
Relative Luftfeuchtigkeit	max. 80% bis 30°C

Mikroskope in warmen und feucht-warmen Klimazonen brauchen besondere Pflege, um einer Fungusbildung vorzubeugen.

Weitere Hinweise in den Kapiteln „Pflege des Mikroskops“ → S. 54.



Achtung!

Elektrische Komponenten müssen mindestens 10 cm von der Wand und von brennbaren Gegenständen entfernt aufgestellt werden.

Transport

Für den Versand oder Transport des Mikroskops und seiner Zubehörkomponenten sollte die Originalverpackung verwendet werden.

Um Beschädigungen durch Erschütterungen zu vermeiden, sollten vorsorglich folgende Komponenten demontiert und gesondert verpackt werden:

- Schrauben Sie die Objektive heraus.
- Entfernen Sie den Kondensor.
- Entfernen Sie den Koaxialtrieb.
- Nehmen Sie die Lampenhäuser ab.
- Demontieren Sie den Brenner im Lampenhaus 106 z.
- Entfernen Sie alle beweglichen bzw. losen Teile.

6. Montage des Mikroskops

Die Mikroskopkomponenten werden sinnvollerweise in dieser Reihenfolge montiert:

- Zubehör Objektisch
- Kondensator
- Fluoreszenz*
- Zwischensysteme*
- Tubus
- Okulare
- Objektive
- Lampenhäuser mit Lichtquellen
- Polarisation*

Für die Montage ist nur ein universell verwendbarer Schlüssel notwendig, der im Lieferumfang enthalten ist.

Zur Aufbewahrung des Schlüssels dient eine Magnetvorrichtung rechts an der Unterseite des Tisches.

Bei Verwendung von Zwischensystemen und optischem Zubehör kann die Reihenfolge abweichen.

Lesen Sie dazu das Kapitel „6.9 Optionales Zubehör“ → S. 25.

6.1 Objektisch

! **Achtung:**

Vor der Komplettierung des Objektisches dürfen noch keine Objektive eingeschraubt sein!

Präparatehalter

- Setzen Sie den Präparatehalter auf den Tisch auf und befestigen Sie ihn mit den beiden Schrauben (3.1).

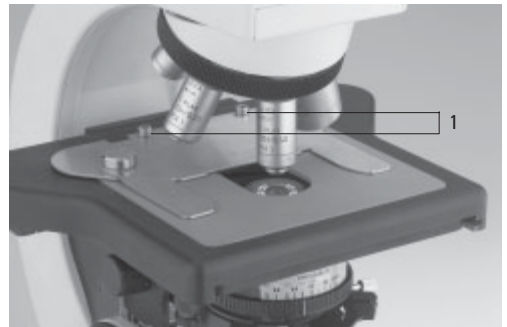
Koaxialtrieb



Hinweis:

Der Koaxialtrieb kann sowohl rechts- wie auch linksseitig montiert werden.

Abb. 3 Objektisch mit Präparatehalter
1 Befestigungsschrauben für Präparatehalter



- Stecken Sie zunächst den flachen Fokus-Feintriebknopf auf der Seite auf, an der Sie den Koaxialtrieb befestigen wollen. Der Knopf wird magnetisch gehalten (4.1). Achten Sie darauf, dass der Knopf einrastet. Der andere Fokusknopf wird entsprechend auf der gegenüberliegenden Seite befestigt.
- Lockern Sie die Arretierungsschraube (5.1) links vorne am Tisch.
- Schieben Sie den Tisch so weit wie möglich nach hinten.
- Befestigen Sie den Koaxialtrieb mit der Schraube (6.1).
- Ziehen Sie den Tisch nach vorne und drehen Sie die Arretierungsschraube wieder fest.

Abb. 4 Fokushandrad

1 Magnethalterung für Fokus-Feintriebknopf



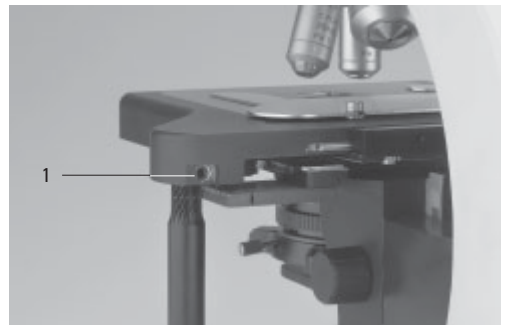
Abb. 5 Unterseite Objektstisch

1 Arretierungsschraube



Abb. 6 Montage Koaxialtrieb

1 Befestigungsschraube für Koaxialtrieb



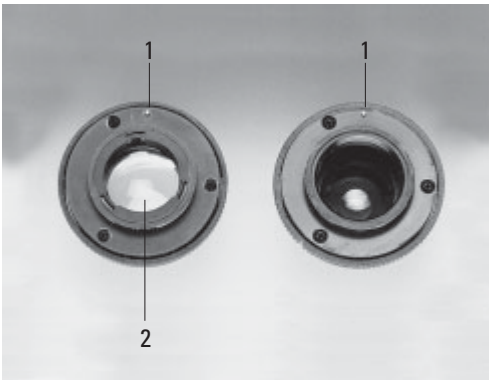
6. Montage

6.2 Kondensator

- Schrauben Sie gegebenenfalls den Kondensorkopf in den Kondensator ein.
- Drehen Sie den Kondensorhalter (Abb. 8) mittels der Kondensorhöhenverstellung (9.3) ganz nach unten.
- Drehen Sie die Klemmschraube für den Kondensator (9.2) soweit heraus, dass der Kondensator von vorne eingesetzt werden kann.
- Schieben Sie den Kondensator von vorne bis zum Anschlag in den Kondensorhalter ein. Auf der Unterseite des Kondensors befindet sich ein Orientierungsstift (7.1), der in die Führungsnut (8.1) einrasten muss.
- Ziehen Sie die Klemmschraube (9.2) für den Kondensator an, so dass der Kondensator arretiert wird.

Abb. 7 Kondensorunterseite (Beispiel CL/PH)

- 1 Orientierungsstift
- 2 Zusatzlinse LS



Hinweis:

Vor dem Mikroskopieren muss der Kondensator zentriert werden.

→ Köhlersche Beleuchtung S. 28.

Abb. 8 Kondensorhalter

- 1 Führungsnut

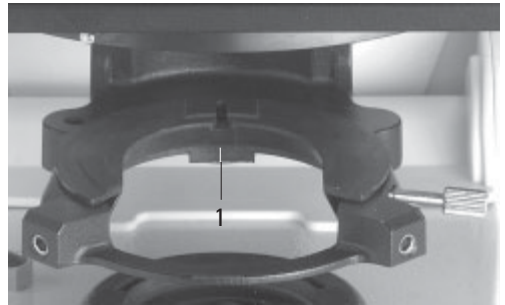
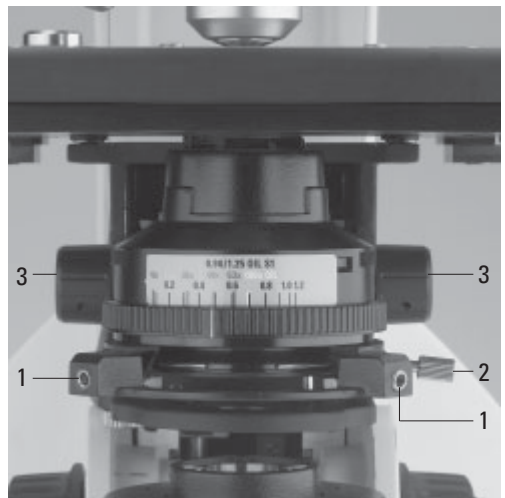


Abb. 9 Kondensorhalter

- 1 Kondensorzentrierung
- 2 Klemmschraube für Kondensator
- 3 Kondensorhöhenverstellung



6.3 Tubus und Okulare



Hinweis:

Für Fluoreszenzanwendungen muss zuerst der Fluoreszenzilluminator montiert werden → S. 21.

Sofern vorhanden muss zuerst der Analysator* (10.1) ins Stativ eingesteckt werden. Die Orientierungsnut muss dabei in den Orientierungsstift (10.2) einrasten.

Zur Aufnahme des Analysators kann auch die Analysatoraufnahme TL* 20 mm bzw. 60 mm zwischen Stativ und Tubus eingesetzt werden.

Optional ist auch ein Zwischentubus-Pol* mit ein- und ausschaltbarem Analysator und Bertrandlinse verfügbar.

Der Tubus wird direkt oder über Zwischenmodule am Stativ montiert:

- Drehen Sie die Klemmschraube (11.1) am Stativ etwas heraus.
- Setzen Sie den Tubus in die kreisförmige Aufnahme (Ringschwalbe) ein.
- Ziehen Sie die Klemmschraube (11.1) wieder fest.
- Die Okulare werden in die Okularstutzen am Tubus eingesetzt.

6.4 Objektive

Grundsätzlich nur Leica Objektive der Tubuslänge \times (unendlich) verwenden! Standardgewindemaß ist M25. Es wird empfohlen, die Objektive so anzuordnen, dass die Vergrößerung ansteigt, wenn der Objektivrevolver gegen den Uhrzeigersinn gedreht wird.



Achtung:

Zur Montage der Objektive den Tisch möglichst weit absenken. Nicht besetzte Gewinde im Revolver mit Staub-Schutzkappen verschließen!

Abb. 10 Analysatoreinbau

- 1 Analysator
- 2 Orientierungsstift und -nut
- 3 Klemmschraube

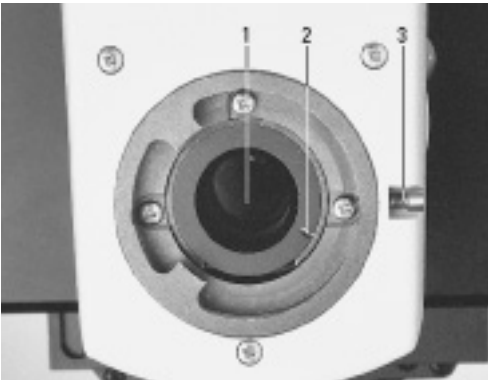
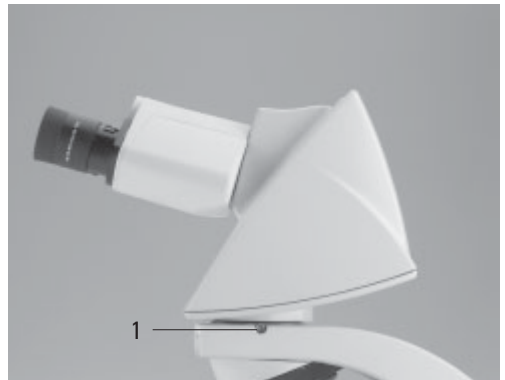


Abb. 11 Befestigen des Tubus

- 1 Klemmschraube



6. Montage

6.5 Lichtquelle für die Durchlichtachse



Achtung!

Achten Sie darauf, dass das Lampenhaus bzw. das Mikroskop von der Stromversorgung getrennt ist. Netzstecker und Stromversorgung während der Montage vom Netz trennen.

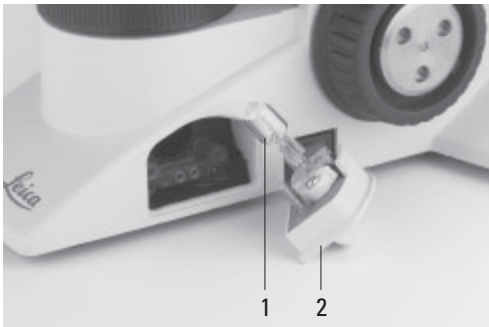


Achtung!

Es besteht generell bei den Lichtquellen eine Gefährdung durch Strahlung (Blendung, UV-Strahlung, IR-Strahlung). Lampen müssen daher in geschlossenen Gehäusen betrieben werden.

Abb. 12 Durchlichtbeleuchtung im Mikroskopfuß

- 1 Halogenglühlampe
- 2 Einschub



Lampenwechsel bei der Einbaubeleuchtung

Die Durchlichtbeleuchtung mit Niedervolt-Halogenglühlampe (Abb. 12) ist im Mikroskopfuß eingebaut und von der rechten Mikroskopseite zugänglich.

- Ziehen Sie den Einschub (12.2) heraus.



Achtung!

Die Glühlampe kann noch heiß sein!

- Ziehen Sie die defekte Glühlampe heraus.



Achtung!

Schutzhülle der neuen Lampe erst nach dem Einsetzen entfernen. Fingerabdrücke unbedingt vermeiden.

- Stecken Sie die neue Lampe mit der Schutzhülle bis gegen den Anschlag gerade in den Sockel. Achten Sie darauf, dass die Lampe gerade sitzt.
- Entfernen Sie die Schutzhülle der Lampe.
- Stecken Sie den Einschub (12.2) wieder ein.

6.6 Komponenten für Fluoreszenzanwendungen

6.6.1 Fluoreszenzilluminator

Der Fluoreszenzilluminator wird vor dem Tubus montiert. Die Befestigung erfolgt über die seitliche Klemmschraube (13.1).

6.6.2 Lampenhaus 106z



Achtung!

Es besteht generell bei den Lichtquellen eine Gefährdung durch Strahlung (Blendung, UV-Strahlung, IR-Strahlung). Lampen müssen daher in geschlossenen Gehäusen betrieben werden.

Achten Sie darauf, dass das Lampenhaus von der Stromversorgung getrennt ist. Netzstecker und Stromversorgung während der Montage vom Netz trennen.

Bei Montagearbeiten an Xe-Brennern immer mitgelieferte Schutzhandschuhe und Gesichtsschutz (Abb. 14) tragen (Explosionsgefahr).

Glasteile des Brenners nie mit bloßen Händen anfassen.
Nie in den direkten Strahlengang blicken (Blendefahr).

Das Lampenhaus 106 z wird mit verschiedenen Gasentladungslampen verwendet.



Achtung!

Beachten Sie unbedingt die Gebrauchsanweisung und Sicherheitshinweise der Lampenhersteller!
Vor dem Wechseln von Lampen diese mindestens 30 min abkühlen lassen!

Einsetzen der Gasentladungslampen (Hg und Xe) in das Lampenhaus 106z

Hg- und Xe-Lampen werden mit separaten Vorschaltgeräten betrieben.
Bitte unbedingt die gesonderte Anleitung dieser Vorschaltgeräte beachten.

Abb. 13 Montage Fluoreszenzilluminator
1 Klemmschraube

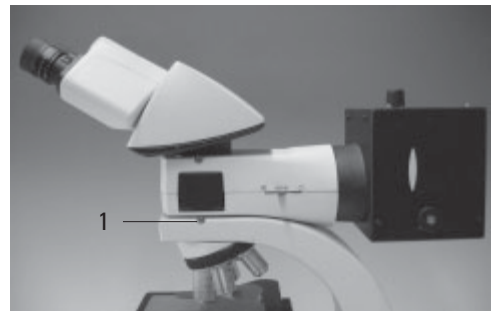


Abb. 14
Schutzhandschuhe und Gesichtsschutz



6. Montage

Folgende Gasentladungslampen sind einsetzbar und erfordern unterschiedliche Stromversorgungsgeräte und Lampenfassungen (Abb. 16):

Typ	Typische Lebensdauer*
Hg-Höchstdrucklampe 50 W (Wechselstrom)	100 h
Hg-Höchstdrucklampe 100 W (Gleichstrom)	200 h
Hg-Höchstdrucklampe 100 W (Gleichstrom Typ 103 W/2)	300 h
Xe-Hochdrucklampe 75 W (Gleichstrom)	400 h

* Bitte beachten Sie die Datenblätter der Lampenhersteller.

- Zum Öffnen des Lampenhauses 106 z lösen Sie die Befestigungsschrauben (15.8) am Verschlussdeckel.
- Entfernen Sie die Transportsicherung (roter Kunststoffstab anstelle des Brenners) der Lampenfassung. Lösen Sie dazu die obere Klemmung (16.1). Ziehen Sie das Kühlelement (16.3) nach oben und drehen Sie es zur Seite. Lösen Sie die untere Klemmung (16.2) und entfernen Sie die Transportsicherung.
- Setzen Sie den Brenner in umgekehrter Reihenfolge ein.



Achtung!

Hg 50-Brenner:

Die Beschriftung muss nach dem Einbau aufrecht stehen.

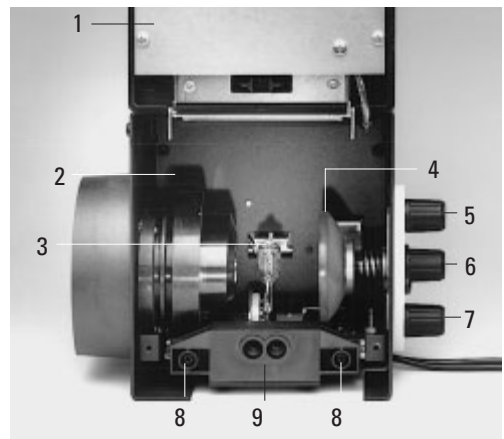
Ein evtl. vorhandener Glas-Abschmelznippel (16a.4) wird durch Drehen des Brenners so ausgerichtet, dass der Nippel später nicht im Strahlengang, sondern seitlich orientiert ist.

Xe 75-Brenner:

Schutzhülle des Brenners (16b.5) nach dem Einbau entfernen.

Abb. 15 Lampenhaus 106 z (seitlich, geöffnet)

- 1 Deckel hochgestellt
- 2 Kollektor
- 3 Gasentladungslampe in Fassung
- 4 Reflektor (Spiegel)
- 5, 6, 7 Justierschraube x-y Reflektor
- 8 Befestigungsschrauben für Lampenfassung
- 9 Buchse für Kontaktstecker



- Setzen Sie die Lampenfassung wieder ein und ziehen Sie die Befestigungsschrauben (15.8) wieder an.
- Schließen Sie das Lampenhaus und ziehen Sie die Befestigungsschrauben wieder an.
- Setzen Sie das Lampenhaus an die Auflicht-Lampenhauseaufnahme (17.1) an und befestigen Sie es mit der seitlichen Klemmschraube.
- Schließen Sie das Lampenhaus am Vorschaltgerät an.

Abb. 17 Ansetzen des Lampenhaus 106z

1 Lampenhauseaufnahme

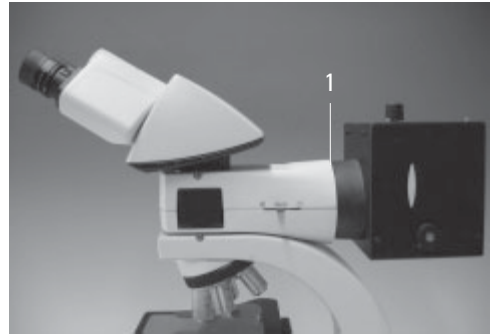
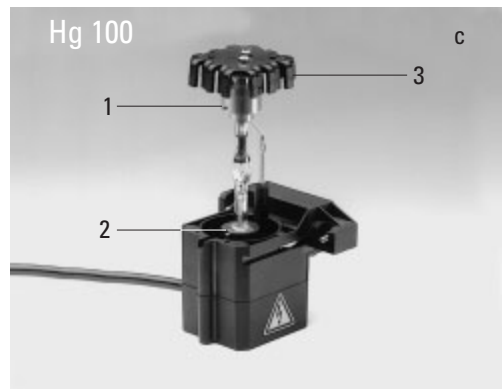
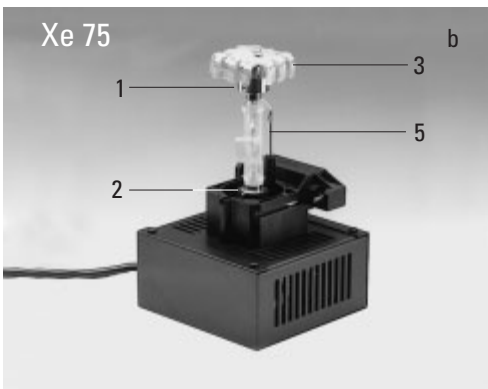
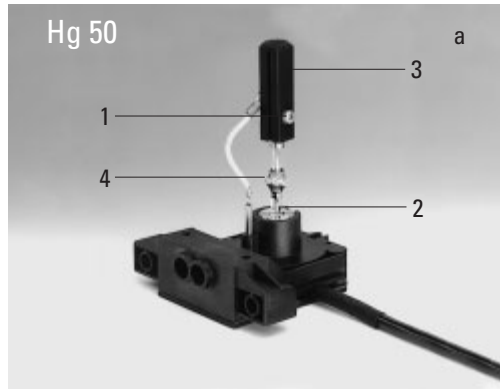


Abb. 16 a-c Lampenfassungen für Gasentladungslampen

- 1 Obere Klemmung
- 2 Untere Klemmung
- 3 Kühlelement
- 4 Abschmelzzipfel des Hg 50-Brenners
- 5 Schutzhülle des Xe 75-Brenners



6. Montage

6.7 Analysator und Polarisator*

Analysator

Wurde der Analysator vor der Tubusmontage in die Tubusaufnahme eingesteckt (→ S. 19), ist kein weiterer Montageschritt notwendig.

Bei Verwendung des Zwischentubus-Pol* bzw. der Analysatoraufnahme TL*:

- Entfernen Sie die Steckkappe auf der linken Seite.
- Schieben Sie den Analysator bis zur Rastung in die Aufnahme.

Polarisator

- Drehen Sie den Kondensor bis zum oberen Anschlag hoch.
- Entfernen Sie gegebenenfalls das Filtermagazin DLF auf dem Stativfuß.
- Stecken Sie stattdessen den Polarisatorhalter (Abb. 18) auf.
- Stecken Sie den Polarisator mit der beschrifteten Seite nach **oben** in die untere Öffnung.

Abb. 18 Filterhalter mit 2 Positionen



Alternativ:

- Befestigen Sie den Polarisatorhalter mit der linken Klemmschraube (19.1) an der Unterseite des Kondensorhalters. Entfernen Sie gegebenenfalls den Flipout-Blue-Filter.
- Stecken Sie den Polarisator mit der beschrifteten Seite nach **oben** in die untere Öffnung.

6.8 Lambda-Plattenkompensator*

- Drehen Sie den Kondensor bis zum oberen Anschlag hoch.
- Entfernen Sie gegebenenfalls das Filtermagazin DLF auf dem Stativfuß.
- Stecken Sie den Lambda-Plattenkompensator auf den Mikroskopfuß auf.

Abb. 19 Montage des Polarisatorhalters

1 Klemmschraube



6.9 Optionales Zubehör

Kamera

Über einen Adapter kann eine Kamera angeschlossen werden.

- Setzen Sie den Adapter auf den oberen Abgang des Tubus auf und befestigen Sie ihn mit der seitlichen Klemmschraube.
- Schrauben Sie die Kamera auf.



Hinweis:

Bei der Wahl des Adapters sind die Größe des Kamera-Chips und das Wechselsystem (c-mount, B-mount, usw.) zu beachten.

Siehe Tabelle.

Berechnung der Vergrößerung auf dem Monitor
Die Vergrößerung V_{TV} auf dem Monitor kann nach folgender Formel berechnet werden oder mittels eines Objektmikrometers und eines cm-Maßstabs gemessen werden.

$$V_{TV} = \frac{\text{Objektivvergrößerung} \times \text{Faktor-Vergrößerungswechsler}^* \times \text{TV-Adaptervergrößerung} \times \text{Bildschirmdurchmesser}}{\text{Chipdurchm. der Kamera}}$$

Aufgenommene Bilddiagonale in mm bei
1-Zoll-Kamera 2/3-Zoll-Kamera 1/2-Zoll-Kamera 1/3-Zoll-Kamera

Ohne variable Vergrößerung, nur für 1-Chip-Kameras:

c-mount-Adapter 1 x HC	16	11	8	6
c-mount-Adapter 0.63 x HC	-	17.5	12.7	9.5
c-mount-Adapter 0.5 x HC	-	-	16	12
c-mount-Adapter 0.35 x HC	-	-	-	17.1

Mit variabler Vergrößerung (Vario TV-Adapter) für 1-3 Chip-Kameras:

c-mount, 0.32-1.6 x HC	-	-	19 ⁺⁾⁵	18-3.8
B-mount (ENG), 0.5-2.4 x HC (1/2-Zoll)	-	-	16-3.3	-

^{+) erst ab Vario Faktor 0.42 x!}

Ohne variable Vergrößerung, für 1-3 Chip-Kameras:

c-mount-Adapter 1 x	-	-	16	12
B-mount-Adapter 1 x	-	-	16	12
B-mount-Adapter 1.25 x	-	17.5	-	-
F-mount-Adapter 1 x	-	-	16	12
F-mount-Adapter 1.25 x	-	17.5	-	-

Dazu jeweils erforderlich: TV-Optik 0.5 x HC

6. Montage

Ergomodul

Zur Erhöhung des Tubuseinblicks kann zwischen Tubus und Tubusaufnahme das Ergomodul 30 mm bzw. 60 mm eingesetzt werden.

Die Befestigung erfolgt durch die seitliche Klemmschraube.

Ergolift

Für das Stativ steht ein Stativuntersatz zur Verfügung, der in der Höhe und Neigung über Stellräder verstellt werden kann, um eine optimale Arbeitsposition zu erhalten.

Vergrößerungswechsler

Optional kann ein Vergrößerungswechsler (Abb. 20) eingesetzt werden, der manuell bedient wird. An einem Rändelrad können die folgenden Vergrößerungsfaktoren eingestellt werden:

1x; 1,5x; 2x

Abb. 20 Vergrößerungswechsler



Diskussionseinrichtungen

Diskussionseinrichtungen mit beleuchtetem Zeiger stehen für maximal 20 Beobachter zur Verfügung.

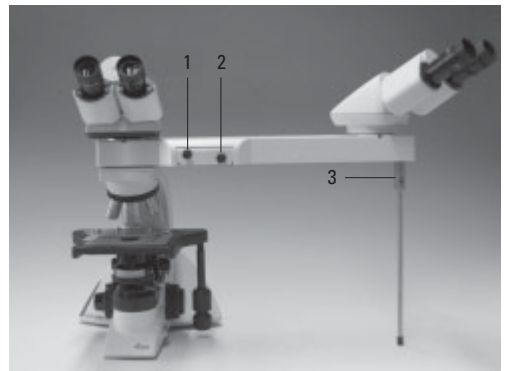
Die Abstützung (21.3) muss exakt gerade gestellt werden.

Der einblendbare Pfeil kann in x- und y-Richtung verstellt werden (vertikal bewegen bzw. herausziehen und einstecken) (21.1) Durch Drehen des gleichen Hebels kann die Farbe geändert werden (rot/gelb). Die Helligkeit des Pfeils wird über (21.2) eingestellt.

Abb. 21 Diskussionseinrichtung

- 1 Bewegung des Leuchtzeigers in x- und y-Richtung und Umschaltung des Farbfilters
- 2 Helligkeitsregelung
- 3 Verstellung der Stütze

Die externe Stromversorgung (Leuchtzeiger) ist nicht abgebildet.



Zeicheneinrichtung

Die Zeicheneinrichtung L3/20 (Abb. 22) ermöglicht die Einspiegelung größerer Objekte neben dem Mikroskop in das mikroskopische Bild. Damit lassen sich u.a. sehr leicht Zeichnungen des Präparates durch Nachfahren der Objektiven erstellen oder Skalen einblenden.

6.10 Anschluss an die Stromversorgung

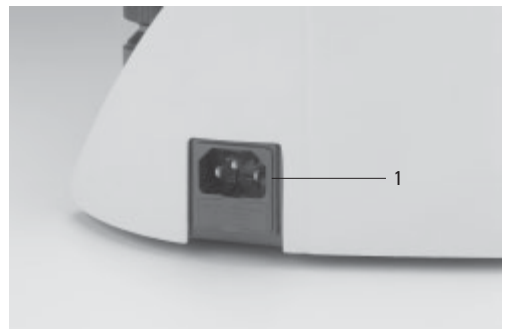
- Nach Abschluss der Montagearbeiten wird das Mikroskop mit dem mitgelieferten Netzkabel an die Spannungsversorgung angeschlossen (Abb. 23).
- Gegebenenfalls auch das Lampenhaus oder das externe Vorschaltgerät an die Stromversorgung anschließen.

Abb. 22 Zeicheneinrichtung
1 Verschlussklappe



Abb. 23 Stativrückseite

1 Anschluss Spannungsversorgung



7. Inbetriebnahme

7.1 Einschalten

- Schalten Sie das Mikroskop am Ein-/Aus-schalter (24.1) ein.



Achtung:

Nach dem Einschalten der Gasentladungslampe muss der Brenner sofort justiert werden. Schalten Sie deshalb das Vorschaltgerät **noch nicht** ein. Arbeiten Sie zunächst im Durchlicht, um die Bedienelemente des Mikroskops kennenzulernen.

Abb. 24

- 1 Ein-/Ausschalter
- 2 Fokushandrad
- 3 Tischpositionierung



7.2 Köhlersche Beleuchtung

Der Kondensor ist bereits werkseitig zentriert. Bedingt durch den Aus- und Wiedereinbau des Kondensors kann jedoch in einigen Fällen eine Nachzentrierung des Kondensors nötig sein. Überprüfen Sie deshalb die Kondensorzentrierung.

Die folgenden Schritte werden für die Durchlicht-Hellfeldbeleuchtung erklärt.

- Schalten Sie ggf. die Position BF der Kondensorscheibe* ein.
- Ziehen Sie ggf. den Lichtringschieber* aus dem Kondensor heraus.
- Schwenken Sie ein Objektiv mit mittlerer Vergrößerung (10x-20x) ein.
Für Kondensoren mit schwenkbarem Kondensorkopf:
Schwenken Sie den Kondensorkopf ein.
(Der Kondensorkopf wird für Objektive <10x ausgeschwenkt.)
- Legen Sie nun ein Präparat in den Präparatehalter des Tisches ein.
- Fokussieren Sie auf das Präparat mit dem Fokushandrad (24.2).
- Stellen Sie die Lichtintensität am Helligkeitsregler (25.2) ein.
- Schließen Sie die Leuchtfeldblende (25.3) bis der Rand der Blende in der Präparateebene erscheint (26a).
- Mit der Kondensorhöhenverstellung (25.1) verstellen Sie den Kondensor bis der Rand der Leuchtfeldblende scharf abgebildet ist (26b).

- Liegt das Bild nicht in der Sehfeldmitte (26c), muss der Kondensator mit Hilfe der beiden Zentrierschrauben (25.4) in die Mitte des Sehfeldes bewegt werden. Der dafür notwendige Schlüssel ist magnetisch an der Unterseite des Tisches befestigt.
- Öffnen Sie die Leuchtblende so weit, dass sie gerade aus dem Sehfeld verschwindet (26d).

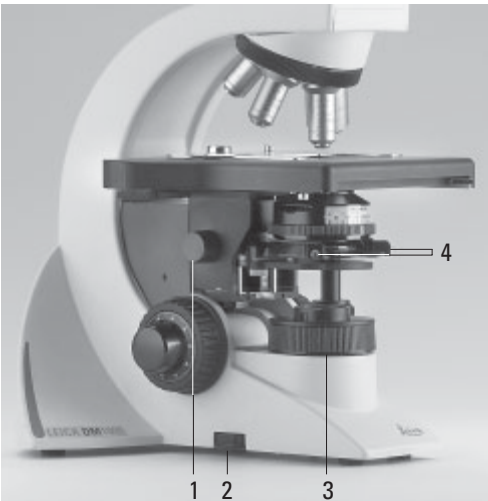


Achtung:

Die KondensatorhöhenEinstellung ist abhängig von der Präparatdicke und muss ggf. für unterschiedliche Präparate neu eingestellt werden.

Abb. 25

- 1 Kondensatorhöhenverstellung
- 2 Helligkeitseinstellung
- 3 Leuchtblende
- 4 Kondensatorzentrierung



7.3 Phasenkontraste überprüfen

Ist Ihr Mikroskop für die Verwendung von Phasenkontrast ausgerüstet, ist die Kondensorscheibe bereits mit den zu den Objektiven passenden Lichtringen bestückt

Die Lichtringe sind bereits werkseitig zentriert. Die Zentrierung sollte jedoch noch einmal überprüft werden.



Hinweis:

Bei Kondensoren ohne Kondensorscheibe wird ein Lichringschieber verwendet, der seitlich in den Kondensator eingeschoben wird. Hierbei entfällt die Zentrierung.



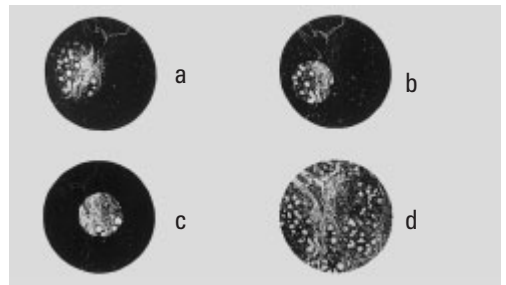
Hinweis:

Beim Einschwenken eines für Phasenkontrast geeigneten Objektivs muss der entsprechende Lichtring eingestellt werden.

Die Objektivgravur (z.B. PH 1) gibt den korrespondierenden Lichtring (z.B. 1) an.

Abb. 26 Köhlersche Beleuchtung

- a Leuchtblende nicht fokussiert, nicht zentriert,
- b Leuchtblende fokussiert, jedoch nicht zentriert,
- c Leuchtblende fokussiert und zentriert, Durchmesser jedoch zu klein,
- d Leuchtbladdurchmesser = Sehfelddurchmesser (Köhlersche Beleuchtung)



7. Inbetriebnahme

- Setzen Sie anstelle eines Okulars das Einstellfernrohr (Abb. 27) in den Beobachtungstubus ein.
- Schwenken Sie das Phasenkontrastobjektiv mit der kleinsten Vergrößerung ein.
- Fokussieren Sie das Präparat mit dem Fokushandrad.
- Stellen Sie die Ringstruktur (29a) scharf, indem Sie den Klemmring (27.2) etwas lockern und die Augenlinse (27.1) verschieben.
- Ziehen Sie den Klemmring wieder an.
- Wählen Sie die korrespondierende Ringblende (Lichtring) im Kondensator.
- Sind Lichtring und Phasenring nicht, wie in Abb. 29c gezeigt, deckungsgleich, muss der Lichtring zentriert werden.
- Stecken Sie an der Rückseite des Kondensators die Zentrierschlüssel durch die dafür vorgesehenen Öffnungen (28.1).

Abb. 27 Einstellfernrohr

- 1 Verstellbare Augenlinse
- 2 Klemmring zur Fixierung der Fokusslage



- Drehen Sie die Zentrierschlüssel, bis der dunkle Ring (Phasenring im Objektiv) deckungsgleich mit dem geringfügig schmaleren hellen Ring (Lichtring im Kondensator) ist (29c).
- Wiederholen Sie den Vorgang für alle weiteren Lichtringe.
- Nach dem Zentrieren den Zentrierschlüssel wieder herausnehmen.

Abb. 28 Zentrierung Lichtringe (z.B: Kondensator UCL/P)

- 1 Zentrierschlüssel

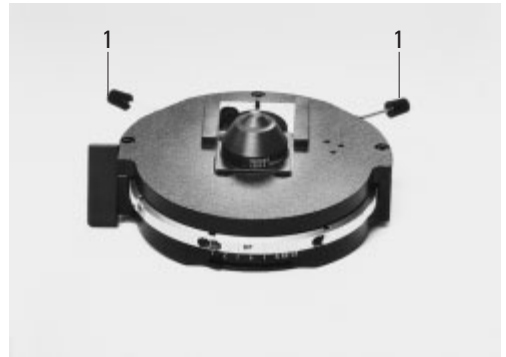
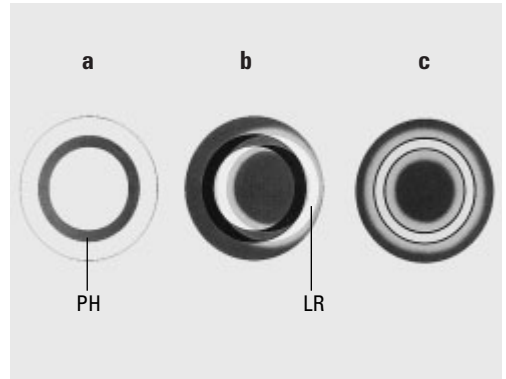


Abb. 29 Zentriervorgang Phasenkontrast

- PH=Phasenkontrastring, LR=Lichtring
- a Kondensator in Position Hellfeld (BF)
 - b Kondensator in Position Phasenkontrast (PH), Lichtring LR nicht zentriert
 - c Lichtring und Phasenring zentriert



7.4 Justieren der Lichtquellen

Eine Zentrierung ist nur bei Verwendung des Lampenhauses 106z notwendig.

- Bei Verwendung eines Vorschaltgerätes wird dieses zuerst eingeschaltet.



Achtung!

Nie in den direkten Strahlengang blicken!



Achtung!

Es besteht generell bei den Lichtquellen eine Gefährdung durch Strahlung (Blendung, UV-Strahlung, IR-Strahlung).

Beim Lampenhaus 106z werden direktes Bild des Lichtbogens (bei Gasentladungslampen) und dessen Spiegelbild getrennt fokussiert und zueinander justiert.

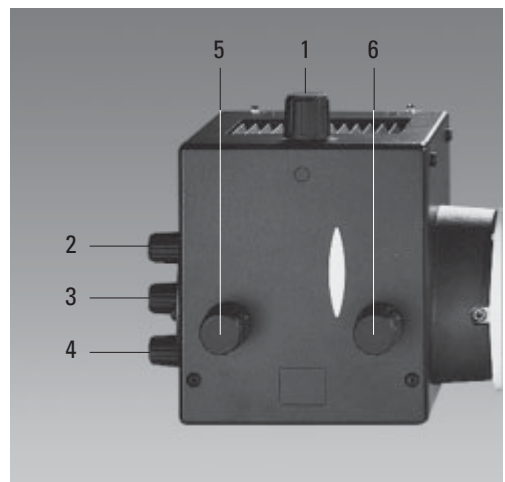
- Bringen Sie das Filtersystem bzw. den Reflektor in den Strahlengang.
- Öffnen Sie ggf. den Shutter und entfernen Sie ggf. Streuscheiben* aus dem Strahlengang.

- Legen Sie ein Blatt Papier auf den Objektstisch und fokussieren Sie die Oberfläche mit einem Trockenobjektiv schwacher bis mittlerer Vergrößerung.
- Stellen Sie die Leuchtfeld- und Aperturblende in eine mittlere Position.
- Machen Sie mit einem Stift eine Markierung auf das Papier und verschieben Sie die Markierung in die Mitte des beleuchteten Feldes.
- Entfernen Sie das Objektiv oder schwenken Sie eine nicht besetzte Position ein.

Die Lichtquelle wird jetzt auf dem Papier abgebildet. Unter Beobachtung der Lichtquelle wird die Lampe wie folgt justiert.

Abb. 30 Lampenhaus 106 z

- 1 Höhenjustierung der Lampe
- 2,4 Höhen- und Seitenjustierung des Spiegelbildes
- 3 Fokussierung des Reflektors
- 5 Seitenjustierung der Lampe
- 6 Kollektor (Fokussierung des Lampenbildes)



7. Inbetriebnahme

Zentrieren der Quecksilberlampe Hg 50 W

- Auf dem Papier sehen Sie das direkte Bild des Lichtbogens und das Spiegelbild, die in der Regel gegeneinander verschoben sind.
- Stellen Sie das direkte Bild mit dem Kollektor scharf (30.6).
- Schwenken Sie das Spiegelbild des Lichtbogens mit den Justierknöpfen an der Rückseite des Lampenhauses (30.2,30.4) zur Seite oder ganz aus dem Strahlengang. Es bleibt das fokussierte Bild des Lichtbogens sichtbar (Abb. 31).
- Platzieren Sie das direkte Bild des Lichtbogens mit den Justierknöpfen (30.1) und (30.5) rechts oder links an einer gedachten Mittellinie der Zentrierfläche (Abb. 32).
- Schwenken Sie nun das Spiegelbild des Lichtbogens mit den Justierknöpfen (30.2) und (30.4) wieder ein und stellen Sie es mit Hilfe des Reflektors scharf (30.3).
- Richten Sie das Spiegelbild symmetrisch zu dem direkten Bild aus (Abb. 33). Benutzen Sie dazu wieder die Justierknöpfe (30.2) und (30.4).
- Defokussieren Sie das Bild nun über den Kollektor mit dem Kollektorknopf (30.6) bis das Bild des Lichtbogens und das Spiegelbild nicht mehr zu erkennen sind und das Bild homogen ausgeleuchtet ist.

Abb. 31 Direktes Bild des Lichtbogens fokussiert, aber dezentriert (in Wirklichkeit ist das Bild unschärfer)

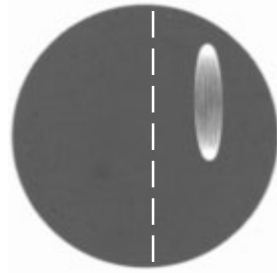


Abb. 32 Direktes Bild des Lichtbogens in Sollposition (in Wirklichkeit ist das Bild unschärfer)

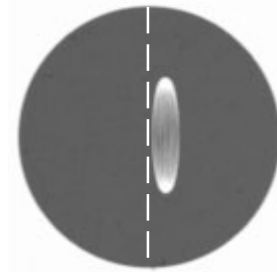
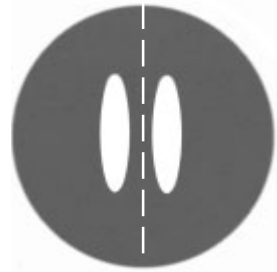


Abb. 33 Direktes Bild des Lichtbogens und Spiegelbild in Sollposition (in Wirklichkeit ist das Bild unschärfer)



Zentrieren der Quecksilberlampen Hg 100 W und Xe 75 W

- Auf dem Papier sehen Sie das direkte Bild des Lichtbogens und das Spiegelbild, die in der Regel gegeneinander verschoben sind.
- Stellen Sie das direkte Bild mit dem Kollektor scharf (30.6).
- Schwenken Sie das Spiegelbild des Lichtbogens mit den Justierknöpfen an der Rückseite des Lampenhauses (30.2,30.4) zur Seite oder ganz aus dem Strahlengang. Es bleibt das fokussierte Bild des Lichtbogens sichtbar (Abb. 34).
- Platzieren Sie das direkte Bild des Lichtbogens mit den Justierknöpfen (30.1) und (30.5) in der Mitte der Zentrierfläche, wobei die helle Spitze des Lichtbogens, der Kathodenbrennfleck, etwas außerhalb der Mitte liegen soll (Abb. 35).
- Schwenken Sie nun das Spiegelbild des Lichtbogens mit den Justierknöpfen (30.2) und (30.4) wieder ein und stellen Sie es mit Hilfe des Reflektors scharf (30.3).
- Richten Sie das Spiegelbild symmetrisch zu dem direkten Bild aus (Abb. 36). Benutzen Sie dazu wieder die Justierknöpfe (30.2) und (30.4). Die V-förmige Abstrahlung der Lichtbögen von direktem Bild und Spiegelbild können überlagert werden.

Abb. 34 Direktes Bild des Lichtbogens fokussiert, aber dezentriert (in Wirklichkeit ist das Bild unschärfer)

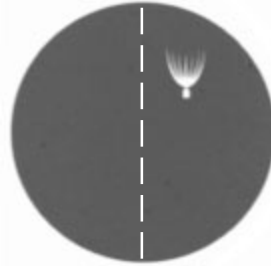


Abb. 35 Direktes Bild des Lichtbogens in Sollposition (in Wirklichkeit ist das Bild unschärfer)

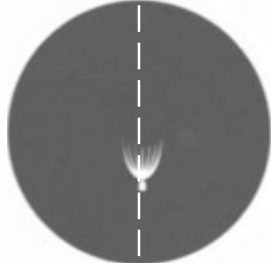
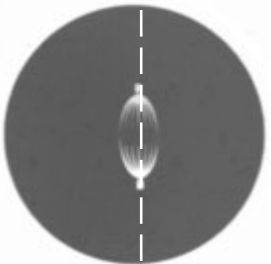


Abb. 36 Direktes Bild des Lichtbogens und Spiegelbild in Sollposition (in Wirklichkeit ist das Bild unschärfer)



Achtung!

Die hellen Spitzen der Lichtbögen, die Kathodenbrennflecke, dürfen jedoch keinesfalls übereinander projiziert werden, weil dann durch Überhitzung Explosionsgefahr besteht.



Achtung!

Bei älteren Lampen ist die Struktur des Lichtbogens nicht mehr klar erkennbar. Das Bild ähnelt dann mehr dem einer HG 50-Lampe. Bild und Spiegelbild können daher nicht mehr exakt übereinander plaziert werden. Bringen Sie in diesem Fall beide Bilder zur Deckung.

- Defokussieren Sie das Bild nun über den Kollektor mittels des Knopfes (30.6) bis das Bild des Lichtbogens und das Spiegelbild nicht mehr zu erkennen sind und das Bild homogen ausgeleuchtet ist.

8. Bedienung

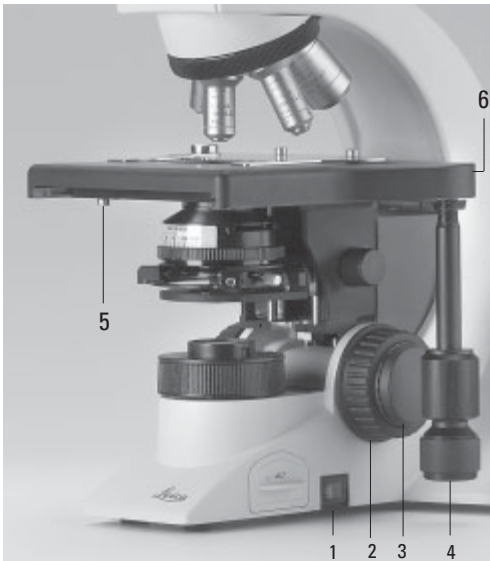
8.1 Einschalten

Bei Verwendung einer Gasentladungslampe muss das Vorschaltgerät zunächst separat eingeschaltet werden.

Schalten Sie das Mikroskop am Ein/Aus-Schalter (37.1) ein.

Abb. 37

- 1 Ein-/Ausschalter
- 2 Grobfokussierung
- 3 Feinfokussierung
- 4 Tischpositionierung
- 5 Arretierungsschraube des Tisches
- 6 Befestigungsschraube des Koaxialtriebs



8.2 Tische und Objektverschiebung

Verlängern des Koaxialtriebs

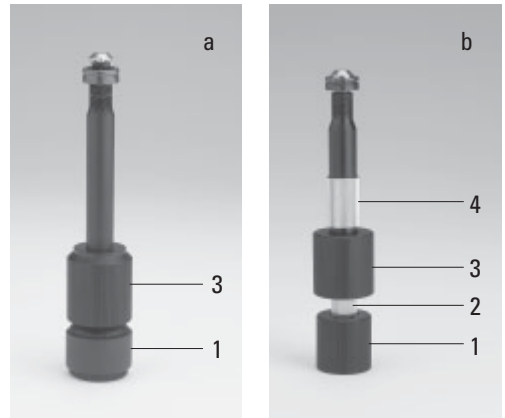
- Zum Verlängern ziehen Sie den unteren Griff (38b.1) nach unten. Dann führen Sie den oberen Griff (38b.2) entsprechend nach.

Einstellen der Gängigkeit (Drehmoment)

Das Drehmoment kann individuell durch zwei Rändel (38b.2, 38b.4) für X und Y angepasst werden.

Abb. 38a Standard-Koaxialtrieb, **b** Koaxialtrieb mit Höhen- und Drehmomenteinstellung

- 1 Objektverschiebung (Y-Richtung)
- 2 Einstellen der Gängigkeit (X-Richtung)
- 3 Objektverschiebung (X-Richtung)
- 4 Einstellen der Gängigkeit (Y-Richtung)



Rechts-/Linksbedienung

Der Koaxialtrieb lässt sich sowohl rechts wie auch links am Tisch befestigen. (Siehe auch Montage S. 16f). Zum Wechseln der Seite gehen Sie folgendermaßen vor:

- Lockern Sie die Arretierungsschraube (37.5) links unten am Tisch. Den Schlüssel dafür finden Sie rechts an der Unterseite des Tisches.



Achtung!

Der Kondensor muss unbedingt abgesenkt werden!

- Schieben Sie dann den Tisch ganz nach hinten.
- Lösen Sie die Schraube (37.6) am Koaxialtrieb und ziehen Sie ihn heraus.
- Stecken Sie den flachen Fokus-Feintriebknopf (37.3) auf der Seite auf, an der Sie den Koaxialtrieb befestigen wollen. Der Knopf wird magnetisch gehalten. Achten Sie darauf, dass der Knopf einrastet. Der andere Fokusknopf wird entsprechend auf der anderen Stativseite befestigt.
- Befestigen Sie den Koaxialtrieb auf der anderen Tischseite, indem Sie die entsprechende Schraube wieder festziehen.
- Bringen Sie den Tisch wieder in die Ausgangsposition und ziehen Sie die Arretierungsschraube wieder fest.
- Stellen Sie den Kondensor wieder ein.

8.3 Fokussierung

Grob- und Feinfokussierung

Auf beiden Stativseiten befinden sich Fokushandräder zur Grob- und Feinfokussierung (Abb. 37 und 39).

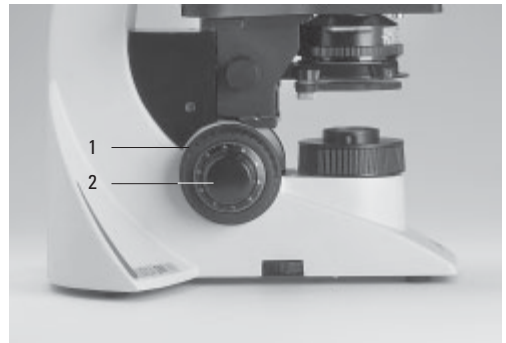
Die spezielle Form des flachen Fokus-Feintriebknopfs (37.3) ermöglicht es, gleichzeitig den Koaxialtrieb mit der Hand zu umfassen und mit einem Finger den Feintrieb zu bedienen. Deshalb sollte der flache Knopf auf der entsprechenden Seite aufgesteckt werden. Siehe Rechts-/Linksbedienung des Tisches.

Höhenverstellung der Fokusknöpfe

- Defokussieren Sie das mikroskopische Bild, indem Sie den Tisch mit einer Umdrehung des **Grob**-Fokushandrats (37.2, 39.1) nach unten verstellen.
- Umfassen Sie den rechten und linken Fokusknopf gleichzeitig und schieben Sie die Knöpfe mit leichtem Druck nach oben bzw. nach unten in die gewünschte Position.
- Fokussieren Sie das Bild wieder.

Abb. 39 Fokusknopf mit Skalierung

- 1 Grobfokussierung
- 2 Feinfokussierung



8.4 Tuben



Hinweis:

Verschließen Sie nicht benutzte Tubusausgänge, da sonst Streulicht die Beobachtung stören kann.

Augenabstand einstellen

Stellen Sie den Augenabstand der Okularrohre so ein, dass ein deckungsgleiches Gesamtbild wahrgenommen wird (Abb. 40).

Einblickwinkel einstellen

- Bei den Ergonomietuben HC LVB 0/4/4 und HC -/0/4 kann der Einblickwinkel durch Kippen des Binokulareinblicks eingestellt werden.
Ergotubus (lang, schwenkbar): $0^\circ - 35^\circ$
Ergotubus (kurz, schwenkbar): $7,5^\circ - 32,5^\circ$
- Bei den Ergotuben AET22 und EDT22 kann der Einblickwinkel durch Kippen des Binokulareinblicks im Bereich von $5^\circ - 32^\circ$ eingestellt werden (Abb. 41).

Abb. 40 Tubuseinstellung

↔ Einstellung des persönlichen Augenabstandes
1 Skala (mm), 2 Zwischenmodul*, im Bild: Ergomodul



Okularauszug an Armlänge anpassen

- Am Tubus AET22 können die Okulare bis zu 30 mm ausgezogen werden (Abb. 41).

Strahlenteilung bei Fototuben

Tubus EDT22:

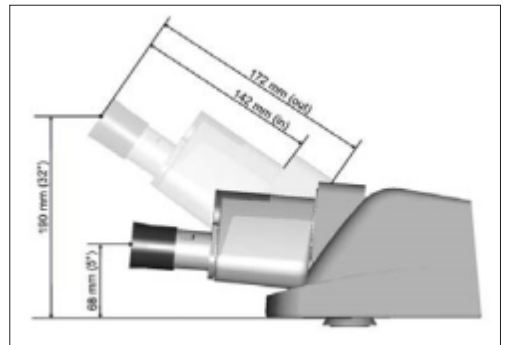
Die Lichtaufteilung zwischen Beobachtungs- und Dokumentationsausgang ist fest eingestellt (50:50).

Tubus BDT25+:

Die Lichtaufteilung wird manuell durch Herausziehen einer Schaltstange eingestellt.

Schaltstange	Beobachtung	Foto
VIS	100 %	0 %
50/50	50 %	50 %
PHOTO	0 %	100 %



Abb. 41 Individuelle Einstellungen am Tubus AET22



8. Bedienung

Tubus HC L 2TU:

Die Lichtaufteilung wird manuell durch Herausziehen einer Schaltstange eingestellt.

Schaltstange		Beobachtung	Foto
VIS		100 %	0 %
PHOTO		0 %	100 %

8.5 Okulare



Hinweis:

Der Blendschutz der Okulare muss beim Mikroskopieren mit Brille abgenommen bzw. zurückgestülpt werden.

Brillen mit Mehrbereichgläsern (Bifocal- und Gleitsichtgläser) müssen beim Mikroskopieren abgesetzt werden.

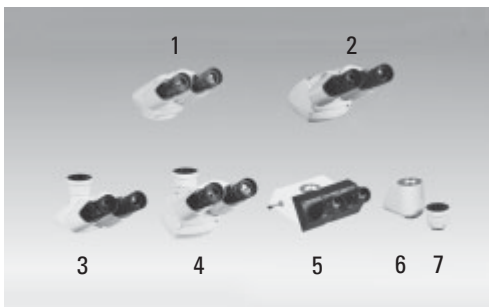
- Wählen Sie bei den schaltbaren Tuben mit Dokumentationsausgang die Stellung 100% VIS.

Okulare mit eingelegter Strichplatte

- Stellen Sie die Strichplatte durch Verstellen der Augenlinse im Okular scharf ein.
- Fokussieren Sie das Objekt durch dieses Okular.
- Schließen Sie dann das Auge und fokussieren Sie das Objekt jetzt nur durch Verstellen des zweiten Okulars.

Abb. 42 Tubusprogramm HC L

- 1 Binokularer Beobachtungstubus HC LB 0/3/4
- 2 Ergonomietubus HC LVB 0/4/4, binokular, Einblickwinkel 0-35°
zusätzlich Ergotubus (kurz) HC -/0/4, schwenkbar 7,5°-32,5°
- 3 Trinokularer Tubus H L1T 4/5/7, mit festem Strahlenteiler (50% / 50%)
- 4 HC L1VT 0/4/4 wie 3, jedoch mit verstellbarem Einblickwinkel 0-35°
- 5 Trinokularer Tubus mit 3 Schaltstellungen HC L3TP 4/5/7
- 6 Photostutzen, mit 2 Ausgängen (50% / 50%)
- 7 Photo-TV-Ausgang



Korrektur bei Fehlsichtigkeit

- Blicken Sie mit dem rechten Auge durch das rechte Okular und stellen Sie das Präparat scharf ein.
- Sehen Sie danach mit dem linken Auge auf die gleiche Präparatstelle und drehen Sie den linken Okularstutzen so lange, bis die Objektstelle scharf abgebildet wird. Hierbei das Fokushandrad nicht betätigen!

8.6 Objektive

Objektivwechsel

Die Objektive werden manuell in den Strahlengang eingeschwenkt. Achten Sie darauf, dass der Revolver einrastet.

Beim Objektivwechsel sollten die Einstellungen für die

- Leuchtfeldblende → S. 41
- Aperturblende → S. 40
- Lichtintensität → S. 40

überprüft werden.

- Verwenden Sie bei **Immersionsobjektiven** das entsprechende Immersionsmedium.

OIL: nur optisches Immersionsöl nach DIN/ISO verwenden.

Reinigung → S. 54

W: Wasserimmersion.

IMM: Universalobjektiv für Wasser, Glycerin, Ölimmersion.



Achtung!

Sicherheitsdatenblatt zum Immersionsöl beachten!



Hinweis:

Bei verriegelbaren Immersionsobjektiven drücken Sie zum Verriegeln die Frontpartie bis zum Anschlag nach oben (ca. 2 mm). Nach einer leichten Drehbewegung nach rechts ist das Objektiv verriegelt (Abb. 44).

Bei Objektiven mit Korrektionsfassung passen Sie das Objektiv durch Drehen des Rändels an die Dicke des Deckglases an.

Abb. 43 Immersionsobjektiv, entriegelt



Abb. 44 Immersionsobjektiv, verriegelt



8. Bedienung

8.7 Lichtquellen

Durchlicht

- Regeln Sie die Helligkeit am Stellrad (45.1) .

Die Zahlenwerte am Stellrad sind keine Absolutwerte, sie dienen nur einer reproduzierbaren Einstellung. Der Maximalwert entspricht etwa 12 V, der Markierungspunkt einer Farbtemperatur von ca. 3200 K.



Hinweis:

Die Objektivreihen

HI PLAN xx SL und

HI PLAN CY xx SL

(Synchronized Light) ermöglichen den Objektivwechsel ohne Anpassung der Lichtintensität.

Fluoreszenz

- Schalten Sie die Lampe am Vorschaltgerät ein.



Achtung!

Mindestabstand des Lampenhauses von der Wand, von Vorhängen, Tapeten, Büchern u.a. brennbaren Gegenständen **10 cm!**

Brandgefahr!

Beachten Sie die gesonderte Anleitung zum Vorschaltgerät!

8.8 Aperturblende

Die Aperturblende (46.3) im Kondensator bestimmt Auflösung, Tiefenschärfe und Kontrast des mikroskopischen Bildes. Die beste Auflösung erreicht man, wenn die Aperturen von Objektiv und Kondensator etwa gleich sind.

Bei Einengen der Aperturblende unter die Objektivapertur nimmt das Auflösungsvermögen ab, der Kontrast wird dagegen angehoben. Eine für das Auge merkliche Verminderung des Auflösungsvermögens tritt bei Schließen der Aperturblende unter ca. 0.6x des Objektivs ein und sollte möglichst vermieden werden.

Bei der Polarisationsmikroskopie ergibt ein Einengen der Aperturblende meist kräftigere Farben.

Die Aperturblende wird subjektiv nach Bildeindruck eingestellt, die Skala dient zur reproduzierbaren Einstellung ohne Zuordnung absoluter Aperturwerte.

Abb. 45

1 Helligkeitseinstellung



Farbkodierter Kondensator

Die Farbmarkierungen am Kondensator (46.2) korrespondieren mit den Farbringen der Objektive. Beim Objektivwechsel kann eine geeignete Aperturblendeneinstellung dadurch gefunden werden, dass die Aperturblende auf die entsprechende Farbmarkierung (entspricht 2/3 der objektivseitigen Apertur) gestellt wird.



Achtung:

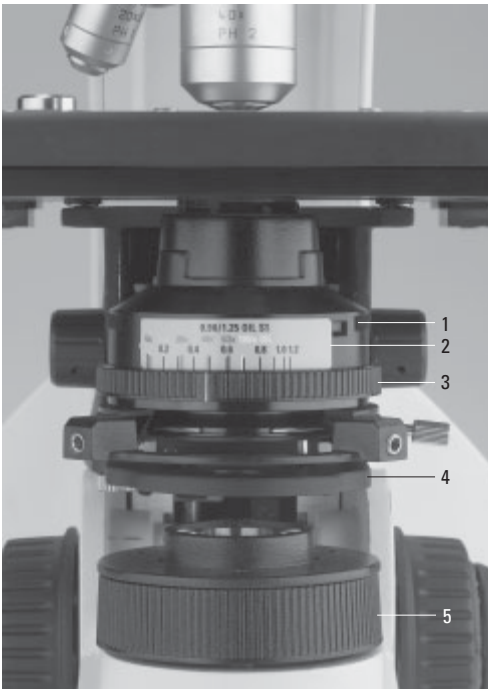
Die Aperturblende im **Beleuchtungsstrahlengang** dient **nicht** zur Einstellung der Bildhelligkeit. Hierfür sind ausschließlich der Drehknopf zur Helligkeitsregulierung bzw. neutrale Lichtdämpfungfilter zu benutzen.

Eine Aperturblende im **Objektiv** wird im Normalfall voll geöffnet. Ein Einengen ergibt bei geringerer Bildhelligkeit:

- Höhere Tiefenschärfe
- Geringere Deckglasempfindlichkeit
- Dunkelfeldeignung
- Kontrastveränderung

Abb. 46 Kondensator CL/PH

- 1 Aufnahmeschlitz für Lichtringe u.ä.
- 2 Farbkodierung
- 3 Aperturblende
- 4 Filterhalter
- 5 Leuchtfeldblende



8.9 Leuchtfeldblende

Die Leuchtfeldblende (46.5) schützt das Präparat vor unnötiger Erwärmung und hält alles nicht zur Abbildung benötigte Licht vom Objekt fern, so dass der Kontrast gesteigert werden kann. Deshalb öffnet man sie immer nur so weit, dass das beobachtete oder photographierte Objektfeld gerade ausgeleuchtet wird. Ein Vergrößerungswechsel bedingt immer eine Anpassung der Leuchtfeldblende.

9. Kontrastverfahren

9.1 Durchlicht

Objektivvergrößerung 2.5x*

Die **Kondensoren CL/PH bzw. CLP/PH** sind ohne Zusatz ab einer Vergrößerung **4x** verwendbar. Bei Verwendung eines Streulichtschiebers* ist auch die Vergrößerung **2.5x** möglich, nicht jedoch bei Polarisation.

Die **Kondensoren UCL bzw. UCLP** sind ohne Zusatz ebenfalls ab einer Vergrößerung **4x** verwendbar.

Bei Verwendung einer Anpassungslinse* (in der Kondensorscheibe) ist auch die Vergrößerung **2.5 x** möglich.

Vor dem Einschalten der Anpassungslinse muss die Köhlersche Beleuchtung (→ S. 28) mit dem Objektiv 4x oder 10x eingestellt werden.

Wechseln Sie danach zum Objektiv 2.5x, schwenken Sie die Linse ein, öffnen Sie die Aperturblende ganz und engen Sie die Leuchtfeldblende ein.

Sind sichelförmige Abschattungen sichtbar, muss die Linse zentriert werden. Stecken Sie dazu beide Zentrierschlüssel von schräg hinten in den Kondensator ein und verstellen Sie solange bis die asymmetrischen Abschattungen verschwinden. Entfernen Sie die Zentrierschlüssel und öffnen Sie die Leuchtfeldblende wieder.

Die Linse kann nur bis max. Objektivvergrößerung 20 x benutzt werden. Köhlersche Beleuchtung ist grundsätzlich nicht mehr exakt möglich!

Der **Kondensator Achr.Apl.0.9 (P)** ist ohne Zusatz ab einer Vergrößerung **4x** verwendbar.

Bei ausgeklapptem Kondensorkopf ist die Objektivvergrößerung **2.5x** ohne Streuscheibe möglich, bei eingeklapptem Kondensorkopf muss die einsteckbare Streuscheibe verwendet werden (max. Okularesehzahl 22).

Objektivvergrößerungen 1.6x und 2.5x*

Mit den Kondensoren CL/PH bzw. CLP/PH, UCL bzw. UCLP sind Vergrößerungen **1.6x** und **2.5x** ebenfalls möglich, wenn der Kondensator komplett entfernt wird. Die Leuchtfeldblende wird dann funktionell zur Aperturblende.



Hinweis:

Ist das Mikroskop für Polarisation ausgerüstet, müssen zur Durchführung der anderen Kontrastverfahren zunächst Analysator und Polarisator, sowie ggf. der Lambda-Plattenkompensator entfernt bzw. ausgeschwenkt werden.

9.1.1 Hellfeld

- Kondensorscheibe* ggf. auf Position **BF** schalten.
- Lichtringschieber* ggf. herausziehen.
- Fluoreszenzilluminator* ggf. auf Leerposition oder Filtersystem A schalten.
- Legen Sie ein Durchlichtpräparat auf.
- Schwenken Sie ein geeignetes Objektiv ein.
 - Bei schwenkbaren Kondensorköpfen: Kondensorkopf für Objektivvergrößerungen $< 10x$ ausschwenken.
- Fokussieren Sie das Bild mit dem Fokushandrad und stellen Sie die Helligkeit ein.
- Für eine optimale Einstellung der Leuchtblende überprüfen Sie die Köhlersche Beleuchtung (→ S. 28).
- Verwenden Sie bei Bedarf geeignete Durchlichtfilter (Abb. 47).

Abb. 47 Filteraufnahmen

Filtermagazin DLF zum Aufsetzen auf den Mikroskopfuß



Filterhalter mit 2 Positionen bzw. 1 Position zum Aufsetzen auf den Mikroskopfuß



Filterhalter zum Anschrauben unten an den Kondensator



9. Kontrastverfahren

9.1.2 Phasenkontrast

- Legen Sie ein Durchlichtpräparat auf.
- Schwenken Sie ein geeignetes Objektiv ein. Objektive, die für Phasenkontrast geeignet sind, tragen die Gravur **PH**.
- Fokussieren Sie das Bild mit dem Fokushandrad und stellen Sie die Helligkeit ein.
- Für eine optimale Einstellung der Leuchtfeldblende überprüfen Sie die Köhlersche Beleuchtung (→ S. 28).
- Öffnen Sie die Aperturblende ganz (Position **PH**).
- Kondensoren UCL/UCLP und UCA/P:
Stellen Sie den zum Objektiv gehörenden Lichtring an der Revolverscheibe des Kondensors ein.
Beispiel: Zum Objektiv mit der Gravur PH 1 gehört der Lichtring 1.
Kondensoren CL/PH, CLP/PH und APL. ACHR.0.9 (P):
Verwenden Sie den Lichtringschieber.



Hinweis:

Bei Verwendung der Kondensoren UCL/UCLP und UCA/P müssen die Lichtringe zentriert sein. (→ S. 29)

9.1.3 Dunkelfeld

- Legen Sie ein Durchlichtpräparat auf.
- Schwenken Sie ein geeignetes Objektiv ein.

- Fokussieren Sie das Bild mit dem Fokushandrad und stellen Sie die Helligkeit ein.
- Kondensor UCL/P:
Stellen Sie die Position **BF** an der Revolverscheibe des Kondensors ein.
Kondensoren CL/PH, CLP/PH und APL. ACHR.0.9 (P):
Ziehen Sie den Lichtringschieber **DF** bis zum Anschlag heraus.
Überprüfen Sie die Köhlersche Beleuchtung (→ S. 28).
- Öffnen Sie die Aperturblende ganz (Position **PH**).
- Kondensor UCL/P:
Stellen Sie die Position **DF** an der Revolverscheibe des Kondensors ein.
Kondensoren CL/PH, CLP/PH und APL. ACHR.0.9 (P):
Schieben Sie den Lichtringschieber **DF** bis zum Anschlag ein.



Hinweise:

Bei Verwendung des Kondensors UCA/P muss der DF-Lichtring zentriert sein (→ S. 29).
Für das Leica DM1000 stehen Spezial-Dunkelfeld-Kondensoren zur Verfügung (Abb. 61).
Die Verwendbarkeit der DF-Kondensoren hängt von der Apertur der benutzten Objektive ab. Bei Objektiven mit eingebauter Irisblende kann die Apertur angepaßt werden.

DF Kondensor	max. Objektivapertur
D 0.80 - 0.95	0.75
D 1.20 - 1.44 OIL	1.10

9.1.4 Schiefe Beleuchtung

- Stellen Sie zunächst Durchlicht-Dunkelfeld ein.
- Zum Erreichen eines reliefartigen Kontrastes: Kondensor UCA/P:
Drehen Sie die Kondensorscheibe geringfügig aus der Position **DF**.
Kondensoren CL/PH, CLP/PH und APL. ACHR.0.9 (P):
Schieben Sie den Lichtringschieber **DF** nicht vollständig ein.

9.1.5 Polarisation

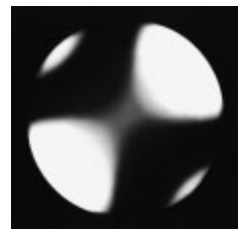
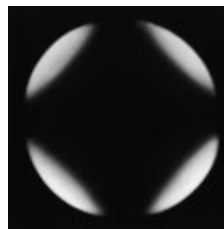
- Schwenken Sie ggf. die Lambda-Platte des Lambda-Plattenkompensators aus.
- Legen Sie ein Präparat auf und schwenken Sie ein geeignetes Objektiv ein.
- Fokussieren Sie das Präparat und stellen Sie die Köhlersche Beleuchtung ein. (→ S. 28)
- Je nach Ausrüstung wurde der Analysator bereits bei der Montage in die Tubusaufnahme eingesteckt.
Alternativ:
Bei Verwendung der Analysatoraufnahme TL*:
Schieben Sie den Analysator bis zur Rastung ein. Die Gravur λ muss auf der Unterseite sein.
Bei Verwendung des Zwischentubus Pol*:
Schalten Sie den Analysator ein.
- Stecken Sie den Polarisator mit der beschrifteten Seite nach **oben** in die untere Öffnung des Filterhalters.

! Achtung!

- Polarisator unbedingt mit der beschrifteten Seite nach **oben** benutzen, da sonst das integrierte Wärmeschutzfilter unwirksam ist und der Polarisator unbrauchbar wird (Verfärbung!)
- Bringen Sie Polarisator und Analysator bis zur maximalen Dunkelheit in Kreuzstellung:
 - Entfernen Sie das Objekt oder suchen Sie eine Leerstelle im Präparat.
 - Schieben Sie den Analysator bis zur 2. Rastung ins Stativ ein bzw. schalten Sie das Modul ein.
 - Entfernen Sie die Kompensatoren aus dem Strahlengang.
 - Drehen Sie den Polarisator, bis die maximale Dunkelstellung (Abb. 48) im Okular beobachtbar ist.
 - Fixieren Sie die gefundene Kreuzstellung mittels der Klemmschraube.

Abb. 48

Kreuzen der Polarisatoren bei Beobachtung mit Einstellfernrohr oder Betrandlinse, Pol-Objektiv hoher Apertur
a exakt gekreuzt, **b** nicht exakt gekreuzt
 Bei Spannungen im Kondensator oder im Objektiv ist Pos. a nicht einstellbar, Pos. b ist für Polarisationskontrast ausreichend.



9. Kontrastverfahren

- Bei Bedarf:
Stecken Sie die λ -Platte oder $\lambda/4$ -Platte in die im Kondensorhalter integrierte Filteraufnahme und drehen Sie sie nach links, bis etwa zum Anschlag.
Kondensor CLP/PH:
Stecken Sie die λ -Platte oder $\lambda/4$ -Platte in den seitlichen Schlitz des Kondensors.
Kondensoren UCLP und UCA/P:
Bringen Sie die Revolverscheibe in die Position λ oder $\lambda/4$.
Alternativ:
Es können Kompensatoren 4x20 mm in den Kompensatorschlitz eingesteckt werden.

Abb. 49 Leica DM1000 mit
Fluoreszenzilluminator und Lampenhaus 106z



9.2 Fluoreszenz

- Legen Sie ein geeignetes Präparat auf und fahren Sie ein entsprechendes Objektiv an.
- Fokussieren Sie das Bild eventuell zunächst im Durchlicht.
- Schalten Sie die Auflichtquelle am externen Vorschaltgerät ein.
- Öffnen Sie den Shutter.
- Schieben Sie ein geeignetes Fluoreszenz- Filtersystem ein.
- Vergrößerungswechsler ggf. auf Faktor 1x stellen.
- Filter BG38 (notwendig für Fotografie) ausschalten, falls kein störender Rotuntergrund wahrnehmbar ist.
- Öffnen Sie die Aperturblende.
- Stellen Sie die Leuchtfeldblende auf den Sehfelddurchmesser ein.
Gegebenenfalls Leuchtfeldblende zentrieren.

10. Messungen mit dem Mikroskop

10.1 Längenmessungen

Für Längenmessungen sind erforderlich:

- Strichplatte mit Teilung im Okular oder Tubus HC FSA 25 PE mit Diaeinspiegelung oder ein digitales Längenmessokular.
 - Objektmikrometer zur Eichung.
- (→ Abb. 50, S. 48)

Mikrometerwert

Vor der Messung muss der Mikrometerwert der benutzten Objektiv-Okular-Kombination bekannt sein, d.h., die Strecke im Präparat, die einem Teilstrichabstand der benutzten Strichplatte entspricht.

Zur Ermittlung des Wertes gehen Sie folgendermaßen vor:

- Richten Sie Objektmikrometer und Strichplatte durch Drehen des Okulars parallel zueinander aus und bringen Sie die Nullstriche beider Skalen auf exakt gleiche Höhenposition.
- Lesen Sie ab, wieviel Skalenteile des Objektmikrometers wieviel Skalenteilen der Mikroskopskala (Strichplatte) entsprechen.
- Dividieren Sie beide Werte. Das Ergebnis ergibt den Mikrometerwert für die eben benutzte Gesamtvergrößerung.

Beispiel:

Treffen 1.220 mm des Objektmikrometers auf 50 Skalenteile der Messskala, so ist der Mikrometerwert = $1.220:50 = 0.0244 \text{ mm} = 24.4 \text{ } \mu\text{m}$. Bei sehr schwach vergrößernden Objektiven kann zur Eichung u.U. nur ein Teil der Messskala benutzt werden.



Hinweise:

Bei Verwendung eines Vergrößerungswechslers muss der Vergrößerungsfaktor berücksichtigt werden! Es empfiehlt sich unbedingt, die Eichung für jedes Objektiv und jeden Faktor des Vergrößerungswechslers individuell durchzuführen und nicht aus der Eichung mit einem Objektiv die Mikrometerwerte der übrigen Objektive bzw. Vergrößerungsstufen rechnerisch zu extrapolieren.

Messfehler können entstehen, wenn das Okular nicht bis zum Anschlag in den Tubus eingesteckt ist.

Besonders große Objektstrukturen können auch unter Verwendung der Nonien (0.1mm) auf dem Objektisch bestimmt werden; dabei ist die zu messende Strecke evtl. aus einer kombinierten x- und y-Messung rechnerisch zu bestimmen.

10.2 Dickenmessungen

Dickenmessungen sind im Prinzip durchführbar, wenn sowohl die Objektunterseite als auch die Oberseite eindeutig fokussierbar ist. Aus der Differenz der Tischhöheeneinstellung (Fokusfeintriebknopf: Abstand zweier Teilstriche ca. $1 \mu\text{m}$) ergibt sich bei Durchlichtobjekten zunächst ein Wert, der durch den Brechungsindex des Objekts (durch welches "hindurchfokussiert" wurde) und ggf. des Immersionsöls verfälscht ist. Die wahre Dicke der im Durchlicht gemessenen Objektstelle ergibt sich aus der vertikalen Tischbewegung (Fokussierungsdifferenz) d' und den Brechungsindices n_0 des Objektes und n_i des Mediums zwischen Deckglas und Objektiv (Luft = 1).

$$d = d' \frac{n_0}{n_i}$$

Beispiel:

Ober- und Unterseite eines Dünnschliffes wurden mit einem Trockenobjektiv ($n_i = 1.0$) fokussiert, Teilstrichanzeigen des mechanischen Feintriebes (Teilstrichabstand = $1 \mu\text{m}$):

9.0 und 27.0.

Also ist $d' = 18 \times 1 = 18 \mu\text{m}$.

Die Brechzahl der Objektstelle wurde mit $n_0 = 1.5$ angenommen.

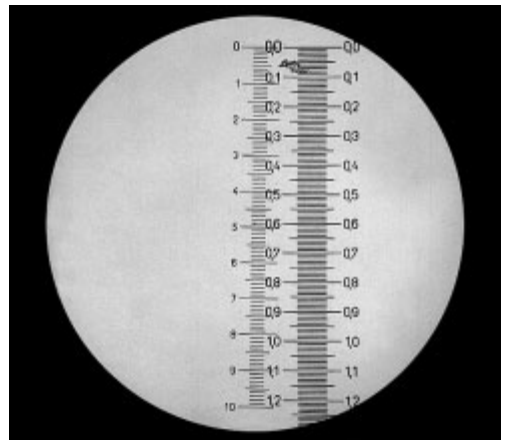
Dicke $d = 18 \times 1 \times 1.5 = 27 \mu\text{m}$.

Objektmarkierer

Er wird statt eines Objektivs eingeschraubt. Durch Drehen eines absenkbaren Ritzdiamanten können zur Objektmarkierung Kreise von variablem Radius ins Deckglas bzw. in die Objekt-oberfläche graviert werden.

Abb. 50

Teilung der Strichplatte im Okular (links) und Bild des Objektmikrometers (rechts)



10.3 Differenzierung von Gicht/Pseudogicht

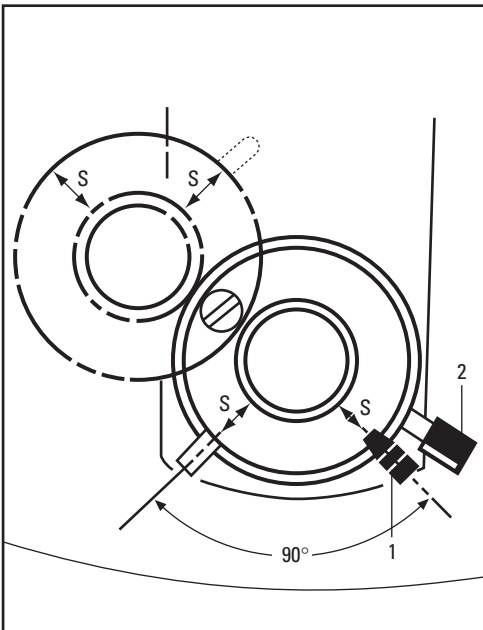
Die Durchführung dieses Test setzt die Verwendung des Lambda-Plattenkompensators voraus. Montage → S. 24.

Ausrichten des Lambda-Plattenkompensators

- Drehen Sie die Lambda-Platte aus dem Strahlengang heraus (Abb. 51).
- Bringen Sie Lambda-Plattenkompensator und Analysator bis zur maximalen Dunkelheit in Kreuzstellung (Polarisation → S. 45).
- Fixieren Sie die gefundene Kreuzstellung mittels der seitlichen Klemmschraube (51.2).
- Schwenken Sie den Lambda-Plattenkompensator wieder ein.

Abb. 51 Lambda-Platte ausgeschwenkt

- 1 Ausrichtungshebel
- 2 Klemmschraube



Im folgenden Abschnitt wird das grundlegende Verfahren zur Differenzierung von Gicht/Pseudogicht erklärt. Dieser Test beruht auf der negativen Doppelbrechung von Uraten und der positiven Doppelbrechung von Pyrophosphaten. Sowohl Gichtkristalle (Mononatriumurat) als auch Pseudogichtkristalle (Calciumpyrophosphat) sind normalerweise nadelförmig. Viele Kristalle können jedoch in gebrochener oder unregelmäßiger Form vorliegen. Zur Durchführung des Tests ist es notwendig, mindestens einen intakten Kristall zu finden, der im Sehfeld nach Nord-Süd (d.h. vertikal) und einen, der nach Ost-West (horizontal) ausgerichtet ist.

Verfahrensweise

Um zu gewährleisten, dass der Test korrekt ausgeführt wird, sollte ein Objektträger aus bekannten Mononatriumuratkristallen verwendet werden.

- Es wird empfohlen, ein Objektiv 40x zu verwenden.
- Schwenken Sie die Lambda-Platte aus dem Strahlengang heraus (Abb. 51).
- Platzieren Sie den Objektträger auf dem Objektisch, und fokussieren Sie die Kristalle, bis sie scharf zu sehen sind. Die nadelförmigen Kristalle werden, ungeachtet ihrer Ausrichtung, weiß dargestellt.
- Schwenken Sie die Lambda-Platte und kippen Sie den Ausrichtungshebel (51.1) bis zum linken Anschlag. Kristalle mit langen Abmessungen in N/S-Richtung werden gelb und Kristalle mit O/W-Ausrichtung werden blau dargestellt (Abb. 52).

10. Messungen mit dem Mikroskop

- Kippen Sie den Ausrichtungshebel (51.1) bis zum rechten Anschlag. Nun werden die N/S-Kristalle blau und die O/W-Kristalle gelb dargestellt (Abb. 52).
- Testen Sie die Kristalle mit dem Ausrichtungshebel in beiden möglichen Positionen, um eine eindeutige Bestimmung zu sicherzustellen.

Verfahren zur Bestimmung von Pseudogicht:

Der Pseudogicht-Test wird genauso durchgeführt wie der Gicht-Test. Die Farbveränderung ist jedoch genau umgekehrt wie im Falle von Gicht. Das heißt, wenn sich der Hebel (51.1) ganz links befindet, werden die N/S-Kristalle blau und die O/W-Kristalle gelb dargestellt und umgekehrt, wenn sich der Hebel auf der rechten Seite befindet (Abb. 53).

Abb. 52 Bestimmung von Gicht

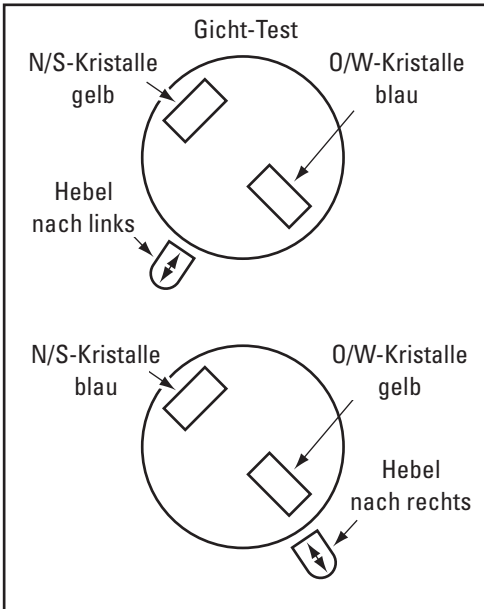
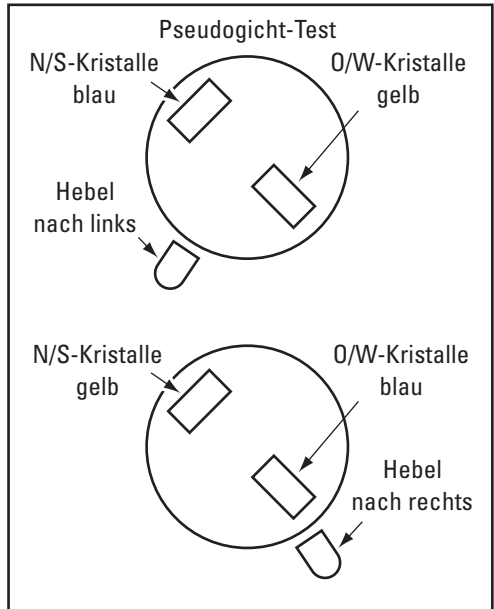


Abb. 53 Bestimmung von Pseudogicht



11. Trouble Shooting

Problem	Ursache/Abhilfe
Stativ	
Das Mikroskop reagiert nicht.	<ul style="list-style-type: none"> ▶ Stellen Sie sicher, dass Spannung auf der Steckdose liegt. ▶ Stellen Sie sicher, dass das Stativ an das Netz angeschlossen ist. ▶ Überprüfen Sie die Kabelverbindungen. ▶ Überprüfen Sie, ob die Sicherung defekt ist und wechseln Sie sie ggf. aus (→ S. 55).
Beleuchtung	
Das Bild ist absolut dunkel.	<p>Durchlicht:</p> <ul style="list-style-type: none"> ▶ Stellen Sie sicher, dass die Lampe in der Durchlichteinbaubeleuchtung nicht defekt ist. Lampenwechsel → S. 20 <p>Fluoreszenz:</p> <ul style="list-style-type: none"> ▶ Öffnen Sie den Shutter (→ S. 46). ▶ Stellen Sie sicher, dass das Lampenhaus an das Netz angeschlossen und nicht defekt ist. Lampenwechsel → S. 21ff ▶ Informieren Sie den Service und lassen Sie überprüfen, ob die Sicherung am Vorschaltgerät defekt ist.
Das Bild ist inhomogen/ungleichmäßig ausgeleuchtet.	<ul style="list-style-type: none"> ▶ Entfernen Sie alle nicht benötigten Filter aus dem Strahlengang. ▶ Zentrieren Sie die Lampe (Lampenhaus 106z) (→ S. 31ff). ▶ Wechseln Sie die alte Lampe aus (→ S. 20ff).
Die Beleuchtung „flackert“.	<ul style="list-style-type: none"> ▶ Stellen Sie sicher, dass kein Wackelkontakt vorliegt. ▶ Wechseln Sie die alte Lampe aus (→ S. 20ff).

11. Trouble Shooting

Problem	Ursache/Abhilfe
Fluoreszenz: Die Lampe zündet nicht sofort nach dem Einschalten.	<ul style="list-style-type: none">▶ Schalten Sie das Vorschaltgerät mehrmals an und aus.▶ Lassen Sie Hg-Lampen vor dem erneuten Anschalten erst abkühlen.
<hr/>	
Hellfeld	
Das Präparat ist nicht zu fokussieren.	<ul style="list-style-type: none">▶ Verwenden Sie das korrekte Immersionsmedium.▶ Legen Sie das Präparat mit dem Deckglas nach oben.▶ Stellen Sie sicher, dass die Deckglasdicke korrekt ist und mit den Angaben am Objektiv übereinstimmt.
<hr/>	
Dunkelfeld	
Es lässt sich kein eindeutiger DF-Kontrast einstellen.	<ul style="list-style-type: none">▶ Stellen Sie sicher, dass ein DF-Objektiv verwendet wird.▶ Die Objektiv-Apertur ist zu hoch (maximal 0,75/1.10). Objektiv-Apertur eventuell durch Irisblende am Objektiv reduzieren.▶ Überprüfen Sie die Kondensorzentrierung.▶ Öffnen Sie die Aperturblende ganz.
<hr/>	
Das Bild ist inhomogen/ungleichmäßig ausgeleuchtet.	<ul style="list-style-type: none">▶ Die Objektivvergrößerung ist zu schwach. Wählen Sie eine höhere Vergrößerung.
<hr/>	
Unerwünschte Lichtstreuung.	<ul style="list-style-type: none">▶ Säubern Sie das Präparat und die angrenzenden Linsenflächen (→ S. 54) .

Problem	Ursache/Abhilfe
Phasenkontrast	
Es lässt sich kein Phasenkontrast einstellen.	<ul style="list-style-type: none"> ▶ Das Präparat ist zu dick, zu dünn oder zu stark gefärbt. ▶ Brechzahl von Einschlussmittel und Objekt ist identisch, sodass kein Phasensprung entsteht. ▶ Das Deckglas ist nicht gleichmäßig aufgelegt. ▶ Überprüfen Sie, ob der richtige Lichtring eingestellt ist (→ S. 44). ▶ Überprüfen Sie die Zentrierung der Lichtringe (→ S. 29). ▶ Überprüfen Sie die Kondensorzentrierung. ▶ Öffnen Sie die Aperturblende ganz.
Polarisation	
Es lässt sich kein Polarisationskontrast einstellen.	<ul style="list-style-type: none"> ▶ Kreuzen Sie Polarisator und Analysator bis zur maximalen Dunkelheit (ohne Präparat) (→ S. 45).
Fluoreszenz	
Das Bild ist absolut dunkel (keine Fluoreszenz).	<ul style="list-style-type: none"> ▶ Öffnen Sie den Shutter (→ S. 46). ▶ Überprüfen Sie die Antigen-Antikörper-Kombination. ▶ Setzen Sie eine neue Lampe ein (→ S. 21ff).
Die Fluoreszenz ist zu schwach.	<ul style="list-style-type: none"> ▶ Zentrieren Sie die Lampe (→ S. 31ff) ▶ Setzen Sie eine neue Lampe ein (→ S. 21ff).

12. Pflege des Mikroskops



Achtung!

Vor Reinigungs- und Wartungsarbeiten Netzstecker ziehen!

Elektrische Komponenten vor Feuchtigkeit schützen!

Mikroskope in warmen und feucht-warmen Klimaten brauchen besondere Pflege, um einer Fungusbildung vorzubeugen.

Das Mikroskop sollte nach jedem Gebrauch gereinigt werden und die Mikroskop-Optik peinlich sauber gehalten werden.

12.1 Staubschutz



Hinweis:

Zum Schutz gegen Verstaubung sollten Sie das Mikroskop und die Zubehörkomponenten nach jedem Gebrauch mit der Schutzhülle abdecken.



Achtung!

Mikroskop und Lampenhäuser zunächst abkühlen lassen. Die Schutzhülle ist nicht temperaturbeständig. Außerdem kann sich Kondenswasser bilden.

12.2 Reinigung



Achtung:

Faser- und Staubreste können bei der Fluoreszenzmikroskopie störende Untergrundfluoreszenz erzeugen.

Reinigen lackierter Teile

Staub und lose Schmutzpartikel können mit einem weichen Pinsel oder fusselfreien Baumwolltuch entfernt werden.

Festsitzender Schmutz kann je nach Bedarf mit allen handelsüblichen wässrigen Lösungen, Waschbenzin oder Alkohol beseitigt werden.

Verwenden Sie für die Reinigung der lackierten Teile einen Leinen- oder Lederlappen, der mit einer dieser Substanzen befeuchtet ist.



Achtung:

Aceton, Xylol oder nitrohaltige Verdünnungen können das Mikroskop beschädigen und dürfen deshalb nicht verwendet werden.

Pflegemittel unbekannter Zusammensetzung sind an einer wenig sichtbaren Stelle zu prüfen. Lack- oder Kunststoffoberflächen dürfen nicht mattiert oder angelöst werden.

Reinigen von Glasflächen

Entfernen Sie Staub auf Glasflächen mit einem feinen, trockenen und fettfreien Haarpinsel, durch Abblasen mit einem Blaseball oder durch Absaugen mittels Vakuum.

Entfernen Sie hartnäckigen Schmutz auf Glasflächen vorsichtig mit einem sauberen, mit destilliertem Wasser angefeuchteten Tuch. Lässt sich der Schmutz nicht entfernen, können anstelle von Wasser auch reiner Alkohol, Chloroform oder Waschbenzin verwendet werden.

Reinigen von Objektiven

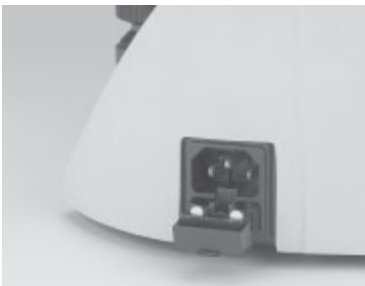


Achtung!

Die Objektive dürfen beim Reinigen nicht auseinandergeschraubt werden. Zeigen sich Schäden auf innenliegenden Flächen, so sind die Objektive zur Instandsetzung an Ihre Leica-Niederlassung zu schicken. Auch von einer Reinigung der Innenflächen der Okulare wird abgeraten.

Bei Objektiven wird die Frontlinse wie bei „Reinigen von Glasflächen“ beschrieben gesäubert. Die obere Linse wird durch Abblasen mit einem Blasebalg gereinigt.

Abb. 54
Sicherungseinschub



Entfernen von Immersionsöl



Achtung!

Sicherheitshinweise zum Immersionsöl beachten!

Wischen Sie zunächst das Immersionsöl mit einem sauberen Baumwollappen ab, und wischen Sie anschließend mit Ethylalkohol mehrmals nach.

12.3 Umgang mit Säuren und Basen

Bei Untersuchungen unter Verwendung von Säuren oder anderen aggressiven Chemikalien ist besondere Vorsicht geboten.



Achtung:

Vermeiden Sie unter allen Umständen die direkte Berührung von Optik und mechanischen Teilen mit diesen Chemikalien.

12.4 Sicherungswechsel

Der Sicherungseinschub (Abb. 54) an der Rückseite des Stativs kann mittels eines spitzen Gegenstandes herausgezogen werden.

Sicherungsdaten → S. 8

Bestellnummer → S. 56



Achtung!

Es ist sicherzustellen, dass nur Sicherungen vom angegebenen Typ und der angegebenen Nennstromstärke als Ersatz verwendet werden. Die Verwendung anderer Sicherungen oder Überbrückung des Sicherungshalters ist unzulässig. Es besteht Feuergefahr bei Verwendung anderer Sicherungen.

13. Wichtigste Verschleiß- und Ersatzteile

Bestell-Nummer Sach-Nummer	Bezeichnung	Verwendung für
<u>Ersatzlampen</u>		
11 500 319	Halogenleuchte 12 V 30 W	Einbauleuchte
11 500 974	Halogenleuchte 12 V 100 W	Lampengehäuse 107/2
11 500 137	Hg-Hochdruckleuchte 50 W	Lampengehäuse 106 z
11 500 138	Hg-Hochdruckleuchte 100 W	Lampengehäuse 106 z
11 500 321	Hg-Hochdruckleuchte 100 W (103 W/2)	Lampengehäuse 106 z
11 500 139	Xenon-Hochdruckleuchte 75 W	Lampengehäuse 106 z
<u>Schraubdeckel für unbesetzte Objektivaufnahmen</u>		
020-422.570-000	Schraubdeckel M 25	Objektivrevolver
<u>Ersatzaugenmuschel (Blendschutz) für Okular HC PLAN</u>		
021-500.017-005	Augenmuschel HC PLAN	Okular 10x/25
021-264.520-018	Augenmuschel HC PLAN	Okular 10x/22
021-264.520-018	Augenmuschel HC PLAN	Okular 10x/20
<u>Immersionsöl nach DIN/ISO, fluoreszenzfrei</u>		
11 513 787	10 ml	Objektive OIL und IMM und Öl-Kondensorköpfe
11 513 522	100 ml	
11 513 788	500 ml	
<u>Sicherungen</u>		
11 826 365	F 3,15 A 250 V	Sicherung für Mikroskopstativ

14. Nachrüstungen

14.1 Bestücken der Kondensorscheibe

- Drehen Sie den Tisch nach oben und senken Sie den Kondensator ab.
- Entfernen Sie den Kondensator. Lockern Sie dazu die Kondensorbefestigungsschraube.

Kondensator UCL/UCLP

- Drehen Sie die Schraube (55.1) vollständig heraus.
- Drehen Sie die Zentrierschrauben soweit zurück, dass sich Lichtringe, λ - und $\lambda/4$ -Plättchen* bzw. die Linse* 2.5x einsetzen lassen. Die größte Bohrung ist für Hellfeldbeobachtung (= BF), die etwas kleineren für Lichtringe bzw. λ - und $\lambda/4$ -Plättchen oder die Anpassungslinse 2.5x.

Abb. 55 Kondensator UCL

1 Befestigungsschraube für Kondensorscheibe



Hinweise:

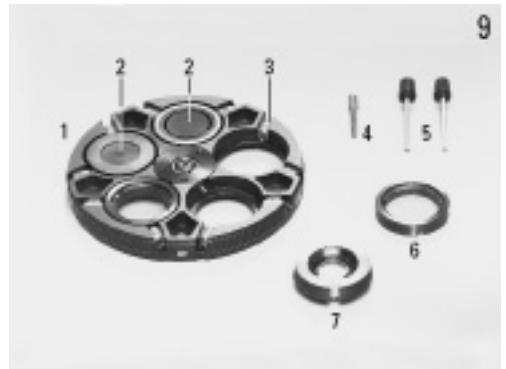
Bei Verwendung einer kleineren Bohrung für Hellfeld kann die maximale Beleuchtungsapertur nicht genutzt werden.

Die Beschriftung (z.B. DF, PH 1..., λ) muss nach **oben** weisen, λ - und $\lambda/4$ -Platte müssen orientiert eingebaut werden: Die Einkerbung muss zur Mitte der Scheibe weisen! Die Beschriftung der Komponenten sollte mit der Markierung an der entgegengesetzten Position (Außenrand der Scheibe) übereinstimmen.

- Ziehen Sie die Zentrierschrauben soweit an, dass die Komponenten etwa mittig in den Bohrungen sitzen.

Abb. 56 Kondensorscheibe UCL

- 1 Kondensorscheibe
- 2 Lichtring oder λ - bzw. $\lambda/4$ -Platte
- 3 Zentrierschrauben
- 4 Achse
- 5 Zentrierschlüssel
- 6 λ - oder $\lambda/4$ -Platte
- 7 Zusatzlinse 2.5x...20x



14. Nachrüstungen



Achtung:

Vor dem Einbau der Scheibe in den Kondensator darauf achten, dass keine Zentrierschraube seitlich übersteht.

- Befestigen Sie die Kondensorscheibe mittels der Steckachse und prüfen Sie das einwandfreie Drehen der Scheibe um 360° .
- Schrauben Sie den Kondensorkopf wieder ein und befestigen Sie den Kondensator mit der Kondensorbefestigungsschraube.



Achtung:

Vor dem Einbau der Scheibe in den Kondensator darauf achten, dass keine Zentrierschraube seitlich übersteht.

- Befestigen Sie die Kondensorscheibe mittels der Steckachse und prüfen Sie das einwandfreie Drehen der Scheibe um 360° .
- Schrauben Sie den Kondensorkopf wieder ein und befestigen Sie den Kondensator mit der Kondensorbefestigungsschraube.

Kondensor UCA/P

- Drehen Sie die Schraube an der Unterseite des Kondensators (Mitte) vollständig heraus.
- Drehen Sie die Zentrierschrauben soweit zurück, dass sich Lichtringe, λ - und $\lambda/4$ -Plättchen* einsetzen lassen.
Die größte Bohrung ist für Hellfeldbeobachtung (= BF), die etwas kleineren für Lichtringe bzw. λ - und $\lambda/4$ -Plättchen.



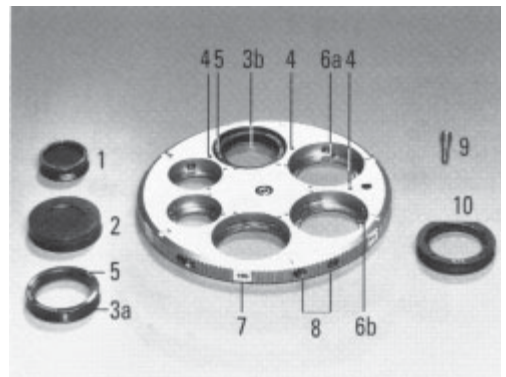
Hinweise:

Bei Verwendung einer kleineren Bohrung für Hellfeld kann die maximale Beleuchtungsapertur nicht genutzt werden.

Die Beschriftung (z.B. DF, PH 1..., λ) muss nach **oben** weisen, λ - und $\lambda/4$ -Platte müssen orientiert eingebaut werden: Die Einkerbung muss zur Mitte der Scheibe weisen! Die Beschriftung der Komponenten sollte mit der Markierung an der entgegengesetzten Position (Außenrand der Scheibe) übereinstimmen.

Abb. 57 Kondensorscheibe UCA/P

- 1 Lichtring "klein,PH"
- 2 Lichtring "groß" für große Bohrungen
- 3 DIC-Kondensorprisma
- 4 Markierung für Montage der DIC Kondensorprismen
- 5 Markierung **K** auf der Prismenfassung
- 6 Führungsnut für Prisma
- 7 Klebeschild
- 8 Zentrierschrauben
- 9 Drehachse
- 10 λ - bzw. $\lambda/4$ -Platte



15. Index

- Analysator** 19, 24, 45
Analysatoraufnahme TL 19, 24, 45
Anpassungslinse 42
Anschluss Stromversorgung 27
Aperturblende 40, 41
Aufstellungsort 14
Augenabstand 37
- BG38** 46
- Dickenmessung** 48
Diskussionseinrichtung 26
Drehmoment 35
Dunkelfeld 44
Durchlicht 42
Durchlichtbeleuchtung 20
Durchlichtfilter 43
- Einbaubeleuchtung** 20
Einblickwinkel 37
Einstellfernrohr 30
Elektrische Sicherheit 8
Ergolift 26
Ergomodul 26
Ersatzlampen 56
- Farbkodierter Kondensator** 41
Fehlsichtigkeit 38
Feinfokussierung 36
Filteraufnahmen 43
Filterhalter 24, 41, 43
Filtermagazin DLF 43
Fluoreszenz 46
Fluoreszenz-Filterssystem 46
Fluoreszenzilluminator 21
Fokushandräder 36
Fokussierung 36
- Gängigkeit** 35
Gasentladungslampen 21, 22, 23
Gicht/Pseudogicht 49
Grobfokussierung 36
- Hellfeld** 43
Helligkeit 40
- Hg 50-Brenner** 22
Höhenverstellung der Fokusköpfe 36
- Immersionsobjektiv** 39
Immersionsöl 39, 55, 56
- Justieren der Lichtquellen** 31
- Kamera** 25
Koaxialtrieb 16, 35
Köhlersche Beleuchtung 28
Kompensatoren 45, 46
Kondensator 11, 18
Kondensatorhalter 18
Kondensatorhöhenverstellung 18, 29
Kondensorkopf 28, 43
Kondensorscheibe 57
Kondensorzentrierung 29
Kontrastverfahren 10
Korrektionsfassung 39
Kreuzstellung 45
- Lambda-Platte** 45, 46
Lambda-Plattenkompensator 24, 49
Lampenhaus 106z 21, 31
Lampenwechsel Durchlicht 20
Längenmessung 47
Leuchtfeldblende 41
Lichtintensität 40
Lichtquellen 40
Lichtring 29, 41, 44
Lichtringschieber 29, 44
- Mikrometerwert** 47
- Objektive** 19, 39
Objektivrevolver 10
Objektivvergrößerung 2.5x 42
Objektivwechsel 39
Objektmarkierer 48
Objektisch 16
Objektverschiebung 35
Okularauszug 37
Okulare 19, 38
- Pflege** 54
Phasenkontrast 44
Phasenkonstrastringe 29
Polarisation 45
Polarisator 24, 45
Polarisatorhalter 24
Präparatehalter 16
- Quecksilberlampe Hg 50 W** 32
Quecksilberlampe Hg 100W/Xe 75W 33
- Rechts-/Linksbedienung** 36
Reinigung 54
- Schiefe Beleuchtung** 45
Shutter 46
Sicherheitshinweise 8
Sicherung 56
Sicherungswechsel 55
Staubschutz 54
Strahlenteilung 37
Strichplatte 38
- Technische Daten** 8
Tische 35
Transport 15
Tube 19, 37
Busausgänge 37
Tube 19, 37
Tubusprogramme 38
- Umgebungsbedingungen** 14
- Vergrößerungswechsler** 26
Verlängern des Koaxialtriebs 35
Vorschaltgerät 21, 35
- Wärmeschutzfilter** 45
- Xe 75-Brenner** 22
- Zeicheneinrichtung** 27
Zentrierung Lichtringe 30
Zusatzlinse LS 18
Zwischentubus-Pol 19, 24, 45

16. EU-Konformitätserklärung

Download:

http://www.light-microscopy.com/down_ce-declaration_dm1000



Leica DM1000

Mode d'emploi

Leica
MICROSYSTEMS

Droits d'auteur

Leica Microsystems Wetzlar GmbH est détenteur de tous les droits d'auteur de cette documentation. La reproduction du texte et des figures – même partielle – par impression, photocopie, microfilm ou autres procédures, dont celles impliquant des systèmes électroniques, n'est permise qu'avec l'autorisation expresse et écrite de Leica Microsystems Wetzlar GmbH.

Les informations contenues dans le présent document représentent l'état actuel de la technique et de la science. Nous avons rédigé ce document (texte et figures) avec le plus grand soin. Toutefois, nous n'assumons aucune responsabilité, quelle qu'elle soit, pour l'exactitude du contenu de ce manuel. Nous vous serions toutefois reconnaissants de nous signaler toute erreur éventuelle.

Les informations contenues dans ce manuel peuvent faire l'objet d'une modification sans préavis.

Sommaire

1. Remarques importantes concernant ce mode d'emploi	6	8.4 Tubes	37
2. Fonction du microscope	7	8.5 Oculaires	38
3. Consignes de sécurité	8	8.6 Objectifs	39
3.1 Consignes générales de sécurité	8	8.7 Sources de lumière	40
3.2 Sécurité électrique	8	8.8 Diaphragme d'ouverture	40
4. Vue d'ensemble	10	8.9 Diaphragme de champ	41
5. Déballage	14	9. Méthode de contraste	42
6. Assemblage du microscope	16	9.1 Lumière transmise	42
6.1 Platine	16	9.1.1 Fond clair	43
6.2 Condenseur	18	9.1.2 Contraste de phase	44
6.3 Tube et oculaires	19	9.1.3 Fond noir	44
6.4 Objectifs	19	9.1.4 Éclairage oblique	45
6.5 Source de lumière pour l'axe de diascopie	20	9.1.5 Polarisation	45
6.6 Composants des applications en fluorescence	21	9.2 Fluorescence	46
6.6.1 Illuminateur à fluorescence	21	10. Mesures avec le microscope	47
6.6.2 Boîtier de lampe 106 Z	21	10.1 Mesures de longueur	47
6.7 Analyseur et polariseur	24	10.2 Mesures d'épaisseur	48
6.8 Compensateur à lame Lambda	24	10.3 Différenciation de la goutte et de la pseudo-goutte	49
6.9 Accessoires en option	25	11. Dépannage	51
6.10 Connexion au bloc d'alimentation	27	12. Entretien du microscope	54
7. Mise en service	28	12.1 Pare-poussière	54
7.1 Mise sous tension	28	12.2 Nettoyage	54
7.2 Éclairage de Koehler	28	12.3 Maniement des acides et bases	55
7.3 Vérification des anneaux de contraste de phase	29	12.4 Changement de fusible	55
7.4 Ajustement des sources de lumière	31	13. Principales pièces d'usure et de rechange	56
8. Utilisation	35	14. Adaptations ultérieures	57
8.1 Mise sous tension	35	14.1 Équipement de la tourelle de condenseur	57
8.2 Platines et déplacement d'objet	35	15. Index	59
8.3 Mise au point	36	16. Déclaration de conformité UE	60

1. Remarques importantes concernant ce mode d'emploi



Attention !

Ce mode d'emploi est un élément essentiel du microscope. Il convient de le lire attentivement avant l'assemblage, la mise en service et l'utilisation.

Ce mode d'emploi contient des instructions et des informations importantes pour un fonctionnement en toute sécurité et un bon état de marche du microscope et des accessoires. Il faut donc le conserver avec soin.

Symboles, pictogrammes et leur signification :

(1.2)

Les chiffres entre parenthèses, par ex. (1.2), se réfèrent aux figures, par exemple la fig. 1, pos. 2.

→ p.20

Les chiffres avec balise, par exemple → p. 20, indiquent une page précise de ce mode d'emploi.



ATTENTION !

Les consignes de sécurité spécifiques sont sur fond gris ; elles sont identifiées par le triangle adjacent.



ATTENTION ! Une fausse manœuvre peut endommager le microscope ou ses organes accessoires.



Explication.



Cette position ne fait pas partie de tous les équipements.

2. Fonction des microscopes

Le microscope Leica DM1000 permet des applications de routine et la recherche en biologie. Ces applications incluent l'examen d'échantillons provenant du corps humain pour obtenir des informations sur les états physiologiques ou pathologiques ou les anomalies congénitales ou pour des tests sur la fiabilité et la tolérance chez les récepteurs potentiels ou pour faire des contrôles de mesures thérapeutiques.

Le microscope cité ci-dessus est conforme : à la directive CE 98/79/CE sur les diagnostics in vitro, aux directives CE 73/23/CE sur le matériel électrique et 89/336/CE sur la compatibilité électromagnétique pour son utilisation dans un environnement industriel.



Attention !

Le fabricant décline toute responsabilité pour toute utilisation hors des spécifications de Leica Microsystems Wetzlar GmbH, ainsi que pour les éventuels risques qui peuvent en résulter. Dans ce cas, la déclaration de conformité perd toute validité.



Attention !

Cet appareil (IVD) n'est pas prévu pour une utilisation dans l'environnement du patient défini par la norme DIN VDE 0100-710. Par ailleurs, il ne peut être utilisé en combinaison avec des appareils électromédicaux régis par EN 60601-1. En cas de connexion d'un microscope et d'un appareil électromédical selon EN 60601-1, les exigences de EN 60601-1-1 sont en vigueur.

3. Consignes de sécurité

3.1 Consignes générales de sécurité

Cet instrument de la classe de protection 1 a été construit et contrôlé conformément aux normes EN 61010-2-101:2002, EN 61010-1:2001, CEI 1010-1:2001, et aux dispositions relatives à la sécurité des appareils électriques de mesure, de commande, de réglage et de laboratoire.



Attention !

Il est indispensable que l'utilisateur tienne compte des remarques et mises en garde contenues dans ce mode d'emploi pour préserver le bon fonctionnement de l'appareil qu'il avait au moment de la livraison et garantir un fonctionnement sans danger.



Attention !

Les instruments et accessoires décrits dans ce mode d'emploi ont été contrôlés quant à la sécurité et aux risques possibles.

Avant toute intervention sur l'instrument, en cas de modification ou d'utilisation avec des composants d'un autre fabricant que Leica et sortant du cadre de ce mode d'emploi, il est impératif de se renseigner auprès du représentant Leica local ou de l'usine-mère à Wetzlar !

Toute intervention non autorisée sur l'instrument ou tout usage non conforme à destination annule tout droit à la garantie !

3.2 Sécurité électrique

Caractéristiques techniques générales

Microscope

Utilisation uniquement à l'intérieur.
Tension d'alimentation : 90-250 V~
Fréquence : 50-60 Hz
Puissance consommée : 90 W
Fusibles : F 3,15 A 250 V
Température ambiante : 15-35 °C
Hygrométrie relative : 80 % max. jusqu'à 30 °C
Catégorie de surtension : II
Degré de contamination : 2



Attention !

Brancher la fiche du cordon d'alimentation exclusivement dans une prise de courant de sécurité.

Ne pas interrompre la protection en utilisant une rallonge sans conducteur de protection. Toute interruption du conducteur de protection à l'intérieur ou à l'extérieur de l'instrument, ou toute suppression de la connexion au conducteur de protection peut rendre dangereuse l'utilisation de l'appareil. Une interruption intentionnelle n'est pas autorisée !



Attention !

Il faut contrôler que seuls des fusibles du type et de l'intensité nominale indiqués soient utilisés comme pièces de rechange. L'utilisation d'autres fusibles ou le non emploi du porte-fusible est interdit car il y a un risque d'incendie en cas d'utilisation d'autres fusibles.



Attention !

Ne pas exposer le microscope à de fortes variations de températures. Elles pourraient créer une condensation qui risquerait d'endommager les composants électriques et optiques.
Température d'utilisation : 15 à 35 °C



Attention !

Les éléments électriques du microscope ne sont pas protégés de l'eau. Un apport d'eau peut provoquer un court-circuit électrique.



Attention !

Avant de remplacer les fusibles ou les lampes, il est impératif de mettre le commutateur M/A en position Arrêt et de débrancher le cordon d'alimentation.

4. Vue d'ensemble

Spécification	Leica DM1000
Méthode de contraste	<ul style="list-style-type: none">• diascopie : fond clair, fond noir, contraste de phase, polarisation• épiscopie : fluorescence
Entièrement automatisé	Éclairage halogène intégré Réglage manuel de : <ul style="list-style-type: none">• luminosité• diaphragme d'ouverture• diaphragme de champ (seulement avec Koehler kit)
Axe de lumière réfléchi	Illuminateur à fluorescence d'épiscopie (oculaires indice de champ : 20) <ul style="list-style-type: none">• glissière pour 3 combinaisons de filtres• lentille d'ajustement de la lampe• piège à lumière pour l'élimination de la lumière parasite• filtre bleu BG38 et obturateur, commutable
Tube	au choix avec <ul style="list-style-type: none">• angle d'observation fixe ou variable• 3 répartitions de lumière possible• une ou deux sorties caméra• tube ergonomique avec angle d'observation réglable et sortie caméra
Changeur de grossissement (en option)	<ul style="list-style-type: none">• manuel• niveaux de grossissement : 1x ; 1,5x ; 2x
Revoluer à objectifs	<ul style="list-style-type: none">• manuel• 5 positions pour objectifs à filetage M25
Platine XY	<ul style="list-style-type: none">• avec porte-condenseur• levier de commande x-y de la platine réglable• commande possible à droite ou à gauche

Spécification	Leica DM1000
Condenseur	<ul style="list-style-type: none">• condenseur CL/PH 0.90/1.25 OIL avec repère en couleur• condenseur CLP/PH 0.85 pour polarisation• condenseurachr. apl. A 0.9 (P) avec tête de condenseur escamotable• condenseur universel UCL 0.90/1.25 OIL (UCLP 0.85 pour polarisation avec tourelle de condenseur à 5 positions)• condenseur universel Pol UCL/P avec tête de condenseur amovible et tourelle de condenseur à 6 positions
Mise au point	<ul style="list-style-type: none">• bouton de mise au point pour mise au point grossière et fine• réglage en hauteur



Fig. 1 Côté gauche du statif Leica DM1000

- 1 Mise au point grossière et fine
- 2 Réglage en hauteur du condenseur
- 3 Réglage de la luminosité
- 4 Diaphragme de champ
- 5 Diaphragme d'ouverture
- 6 Condenseur

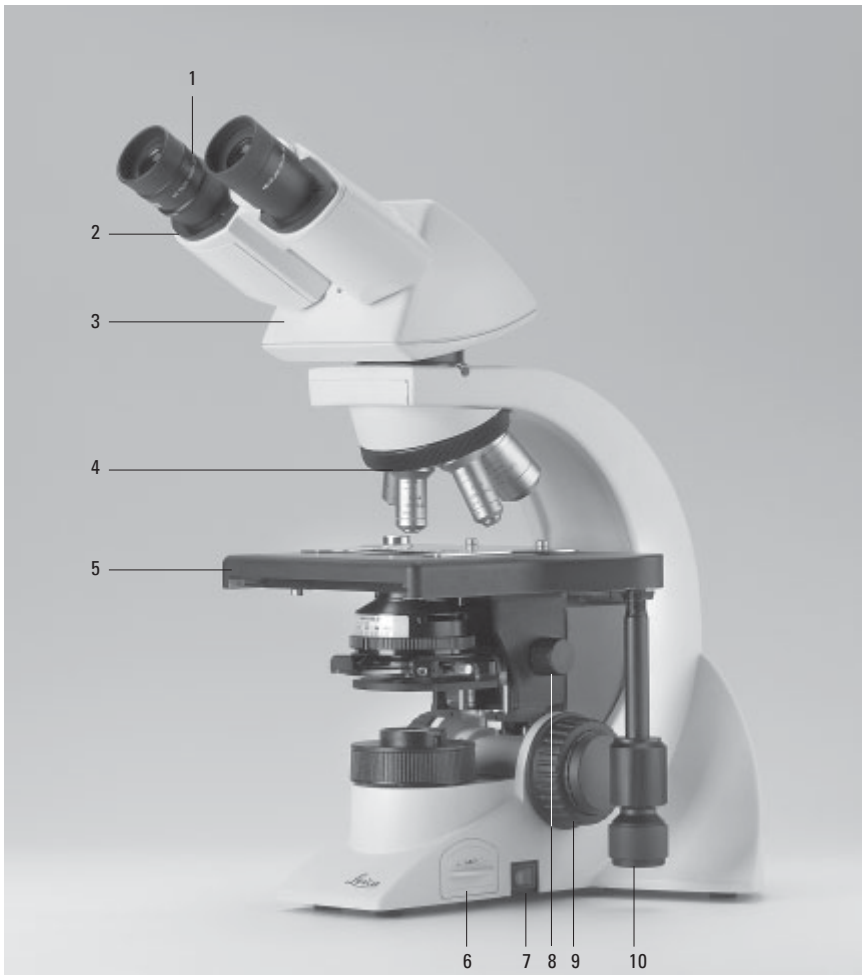


Fig. 2 Côté droit du statif Leica DM1000

- 1 Oculaires
- 2 Tube oculaire
- 3 Tube
- 4 Revolver à objectifs
- 5 Platine porte-objet avec guide-objet
- 6 Éclairage intégré
- 7 Interrupteur
- 8 Réglage en hauteur du condenseur
- 9 Mise au point grossière et fine
- 10 Levier de commande x-y de la platine

5. Déballage

Commencer par sortir avec précaution tous les composants du carton de transport et d'emballage.



Remarque :

Il faut éviter de toucher la lentille des objectifs. Toutefois, en cas de traces de doigts sur les surfaces en verre, il faut nettoyer les objectifs avec une peau de chamois ou un chiffon en lin souple. Même des traces infimes de transpiration déposées par les doigts de l'utilisateur peuvent rapidement attaquer les surfaces. Pour avoir un complément d'information, voir le chapitre « Entretien du microscope » → p. 54.



Attention !

À cette étape, il ne faut en aucun cas brancher le microscope et les appareils périphériques.

Lieu d'installation

L'utilisation du microscope doit se faire dans une pièce sans poussière, huile et vapeurs chimiques, et bénéficiant d'un taux d'hygrométrie modéré. Il convient en outre d'éviter les fortes variations de température, l'ensoleillement direct et les secousses. Ceux-ci pourraient perturber les mesures et les prises de vue micrographiques.

Conditions environnementales autorisées :

Température 15–35 °C

Hygrométrie relative 80 % max. jusqu'à 30 °C

Sous un climat de type chaud ou chaud et humide, le microscope a besoin d'un entretien particulier pour éviter toute contamination fongique.

Pour avoir un complément d'information, voir le chapitre « Entretien du microscope » → p. 54.



Attention !

Les composants électriques doivent être distants du mur d'au moins 10 cm et éloignés de tout objet inflammable.

Transport

Il convient d'utiliser l'emballage d'origine pour expédier ou transporter le microscope et ses accessoires.

Pour éviter des dommages dus aux secousses, démonter les composants suivants et les emballer à part :

- dévisser les objectifs ;
- enlever le condenseur.
- enlever le levier de commande x-y de la platine ;
- retirer les boîtiers de lampe ;
- démonter le brûleur du boîtier de lampe 106 z ;
- enlever toutes les pièces mobiles ou non fixées.

6. Assemblage du microscope

Logiquement l'assemblage des composants du microscope doit s'effectuer dans l'ordre suivant :

- platine porte-objet accessoire
- condenseur
- fluorescence*
- systèmes intermédiaires*
- tube
- oculaires
- objectifs
- boîtiers de lampe avec sources de lumière
- polarisation*

Pour l'assemblage, il suffit d'utiliser la clef universelle livrée avec l'appareil.

Un aimant situé à droite sous la platine permet de fixer la clef.

L'ordre d'assemblage indiqué peut différer en cas d'utilisation de systèmes intermédiaires et d'accessoires optiques.

Pour plus d'information, lire le chapitre « 6.9 Accessoires en option » → p. 25.

6.1 Platine



Attention :

Ne visser aucun objectif avant d'avoir fini de monter la platine porte-objet !

Support de préparation

- Poser le guide-objet sur la platine et le fixer avec les deux vis (3.1).

Levier de commande x-y de la platine



Remarque :

On peut le placer à droite ou à gauche de la platine.

Fig. 3 Platine porte-objet avec support de préparation

1 Vis de fixation pour le support de préparation



- Installer d'abord le bouton plat de mise au point fine du même côté que le levier de commande x-y de la platine. Le bouton est maintenu en place par un aimant (4.1). Veiller à la bonne mise en place du bouton. Fixer l'autre bouton de mise au point sur l'autre face de l'instrument.
- Serrer la vis de blocage (5.1) à gauche à l'avant de la platine.
- Faire coulisser la platine le plus loin possible vers l'arrière.
- Fixer le levier de commande x-y avec la vis (6.1).
- Tirer la platine vers l'avant et serrer à nouveau la vis de blocage.

Fig. 4 Bouton de mise au point

1 Fixation aimantée du bouton de mise au point fine



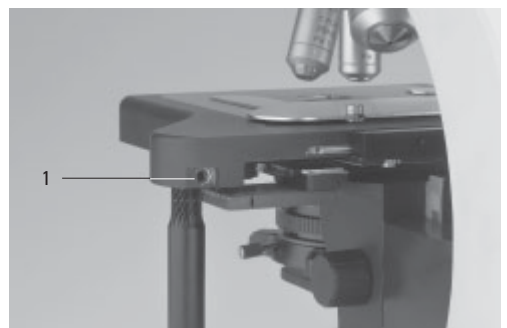
Fig. 5 Bas de la platine porte-objet

1 Vis de blocage



Fig. 6 Montage du levier de commande x-y de la platine

1 Vis de fixation du levier de commande x-y de la platine



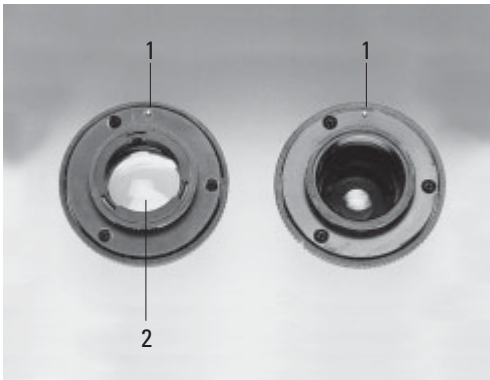
6. Assemblage

6.2 Condenseur

- Le cas échéant, visser la tête de condenseur dans le condenseur.
- En utilisant la vis de réglage en hauteur du condenseur (9.3), tourner le porte condenseur (fig. 8) complètement vers le bas.
- Dévisser la vis de serrage du condenseur (9.2) de façon à pouvoir installer le condenseur par l'avant.
- Faire glisser le condenseur dans le porte-condenseur jusqu'en butée. Sous le condenseur, il y a une broche de guidage (7.1) qui doit s'insérer dans la rainure du porte condenseur (8.1).
- Serrer la vis de blocage (9.2) du condenseur de façon à maintenir le condenseur.

Fig. 7 Bas du condenseur (exemple CL/PH)

- 1 Broche d'orientation
- 2 Lentille additionnelle LS



Remarque :

Centrer le condenseur avant d'utiliser le microscope.

→ Éclairage de Koehler p. 28.

Fig. 8 Porte-condenseur
1 Rainure de guidage

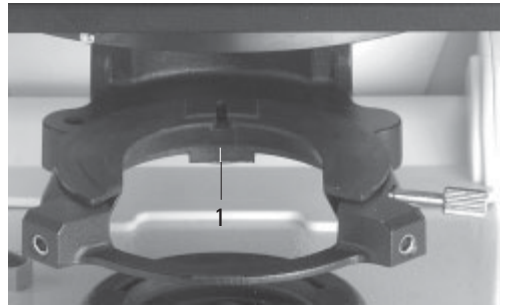
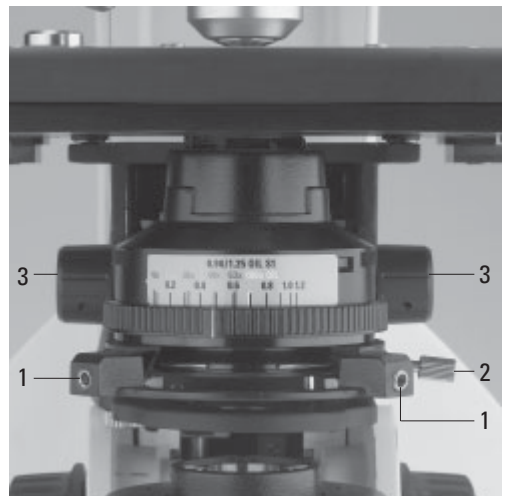


Fig. 9 Porte-condenseur
1 Centrage du condenseur
2 Vis de serrage du condenseur
3 Bouton de réglage en hauteur du condenseur



6.3 Tube et oculaires



Remarque :

Pour les applications en fluorescence, il faut d'abord monter l'illuminateur de fluorescence → p. 21.

Pour ce faire, il faut d'abord introduire l'analyseur* (10.1) dans le statif. La rainure de guidage doit s'encliqueter sur la broche d'orientation (10.2).

Il est également possible d'insérer un logement d'analyseur TL* de 20 ou 60 mm entre le statif et le tube.

Un tube intermédiaire-Pol* avec analyseur escamotable et lentille de Bertrand est aussi disponible en option.

Le tube se monte sur le statif directement ou au moyen de modules intermédiaires.

- Tourner la vis (11.1) sur le statif pour la déga-ger légèrement.
- Introduire le tube dans le logement (queue d'aronde).
- Serrer à nouveau la vis (11.1).
- Les oculaires s'installent dans les manchons porte oculaires.

6.4 Objectifs

N'utiliser en principe que des objectifs Leica de la longueur de tube \times (à l'infini) ! Le filetage standard est M25. Il est recommandé de disposer les objectifs de façon à ce que le grossissement augmente quand le revolver à objectifs est tourné en sens inverse des aiguilles d'une montre.

! Attention :

Pour monter les objectifs, il faut abaisser la platine le plus possible. Visser des bouchons de protection aux emplacements vides !

Fig. 10 Montage de l'analyseur

- 1 Analyseur
- 2 Broche et rainure de guidage
- 3 Vis de serrage

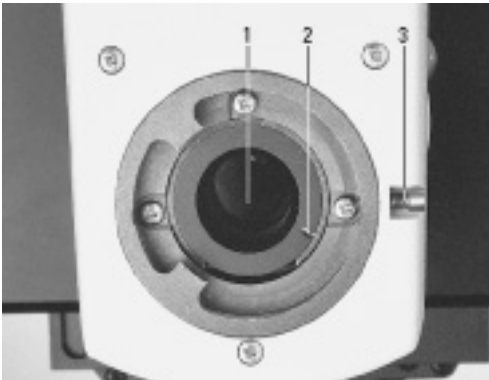
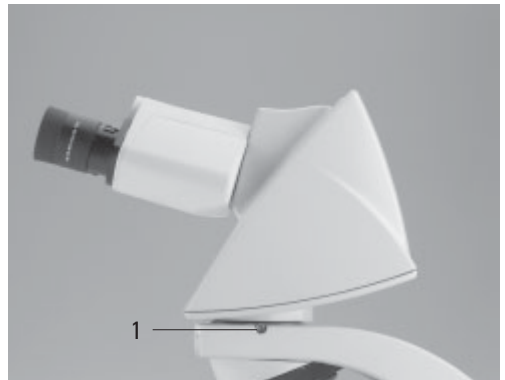


Fig. 11 Fixation du tube

- 1 Vis de serrage



6.5 Source de lumière pour l'axe de diascopie



Attention !

Vérifier que le boîtier de lampe n'est pas relié au bloc d'alimentation. Pendant le montage, débrancher du secteur la prise et le bloc d'alimentation.

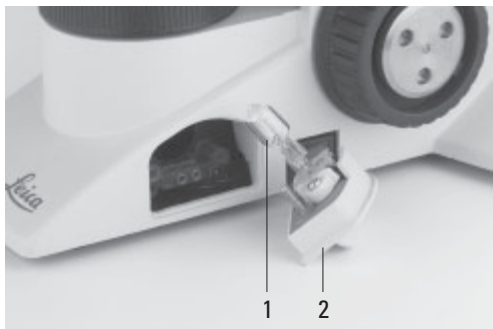


Attention !

Avec les sources de lumière, il y a en général un risque de rayonnements (éblouissement, rayonnement UV, rayonnement IR). Les lampes en fonctionnement doivent donc être placées dans des boîtiers fermés.

Fig. 12 Éclairage diascopique au pied du microscope

- 1 Lampe halogène
- 2 Réceptacle



Changement de lampe de l'éclairage incorporé

L'éclairage diascopique avec la lampe halogène à basse tension (fig. 12) est intégré au pied du microscope et accessible du côté droit du microscope.

- Sortir le réceptacle (12.2).



Attention !

La lampe à incandescence peut être encore chaude !

- Sortir la lampe défectueuse.



Attention !

Ne retirer l'enveloppe protectrice de la nouvelle lampe qu'après l'avoir installée. Éviter impérativement de laisser des empreintes.

- Placer la nouvelle lampe avec son enveloppe protectrice dans le culot jusqu'à la butée. Veiller à ce que la lampe soit bien en place.
- Retirer l'enveloppe protectrice de la lampe.
- Remettre le réceptacle (12.2) en place.

6.6 Composants pour applications en fluorescence

6.6.1 Illuminateur à fluorescence

L'illuminateur à fluorescence se monte avant le tube. La fixation s'effectue avec la vis latérale (13.1).

6.6.2 Boîtier de lampe 106z



Attention !

Avec les sources de lumière, il y a en général un risque de rayonnements (éblouissement, rayonnement UV, rayonnement IR). Les lampes en place doivent donc être placées dans des boîtiers fermés.

Vérifier que le boîtier de lampe n'est pas relié au bloc d'alimentation. Pendant la mise en place, débrancher du secteur la prise et le bloc d'alimentation.

Lors de la manipulation des brûleurs Xe, toujours porter les gants et le masque de protection fournis (fig. 14) (risque d'explosion).

Ne jamais prendre les parties en verre du brûleur à mains nues.

Ne jamais regarder le trajet optique directement (risque d'éblouissement).

Le boîtier de lampe 106 z s'utilise avec diverses lampes à décharge.



Attention !

Observer impérativement le mode d'emploi et les consignes de sécurité des fabricants des lampes !

Avant de changer les lampes, les laisser refroidir pendant 30 minutes au moins !

Installation des lampes à décharge (Hg et Xe) dans le boîtier de lampe 106z

Les lampes Hg et Xe fonctionnent avec des régulateurs de puissance séparés.

Il est impératif de se conformer au mode d'emploi spécifique de ces régulateurs de puissance.

Fig. 13 Assemblage de l'illuminateur à fluorescence
1 Vis de serrage

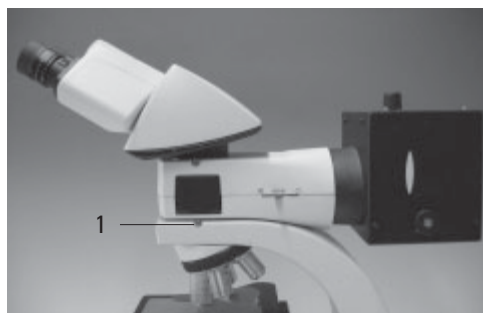


Fig. 14
Gants et masque de protection



6. Assemblage

Il est possible d'installer les lampes à décharge suivantes (ce qui implique des alimentations et des douilles de lampes différents) (fig. 16) :

Type	Durée de vie moyenne*
Lampe Hg 50 W, ultra-haute pression (courant alternatif)	100 h
Lampe Hg 100 W, ultra-haute pression (courant continu)	200 h
Lampe Hg 100 W, ultra-haute pression (courant continu de type 103 W/2)	300 h
Lampe Xe 75 W, haute pression (courant continu)	400 h

* Observer les fiches techniques des fabricants de lampe.

- Pour ouvrir le boîtier de lampe 106 z, desserrer les vis de fixation (15.8) situées sur le couvercle.
- Enlever le verrouillage transport (baguette en plastique rouge à la place du brûleur) de la douille de lampe. Pour ce faire, desserrer l'élément du haut (16.1). Tirer l'élément de refroidissement (16.3) vers le haut et le tourner sur le côté. Desserrer l'élément du bas (16.2) et enlever le verrouillage transport.
- Pour installer le brûleur, procéder dans l'ordre inverse.



Attention !

Brûleur Hg 50 :

Après la mise en place, l'inscription doit être verticale.

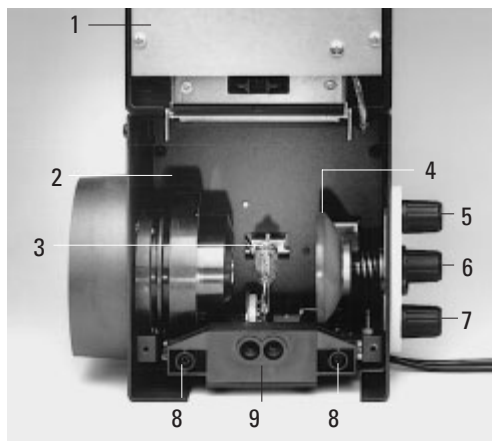
Disposer le brûleur de telle sorte que le raccord de soudure soit sur le côté et non dans le trajet optique

Brûleur Xe75 :

Après l'installation, enlever l'enveloppe de protection du brûleur (16b.5).

Fig. 15 Boîtier de lampe 106 z (ouvert, vue latérale)

- 1 Couvercle relevé
- 2 Collecteur
- 3 Lampe à décharge dans la douille
- 4 Réflecteur (miroir)
- 5, 6, 7 Vis de réglage du réflecteur x-y
- 8 Vis de fixation de la douille de lampe
- 9 Prise de la fiche de contact



- Remettre en place la douille de lampe et serrer à nouveau les vis de fixation (15.8).
- Fermer le boîtier de lampe et serrer à nouveau les vis de fixation.
- Installer le boîtier de lampe dans le logement de boîtier de lampe de l'épiscopie (17.1) et le fixer avec la vis latérale.
- Raccorder le boîtier de lampe au régulateur de puissance.

Fig. 17 Mise en place du boîtier de lampe 106z

1 Logement du boîtier de lampe

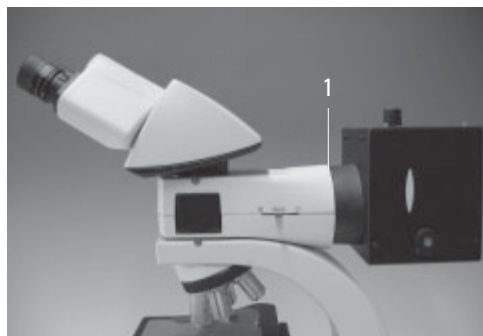
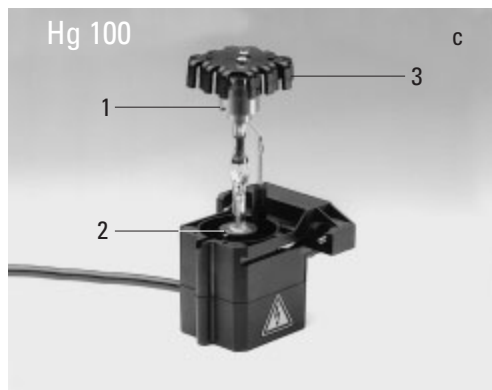
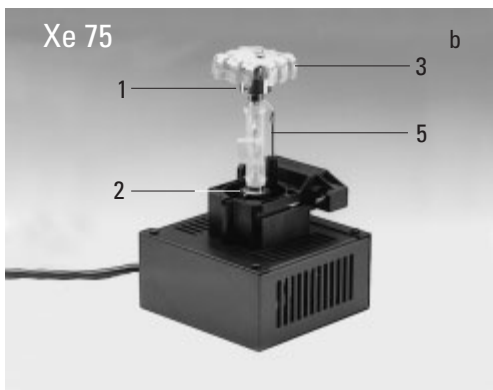
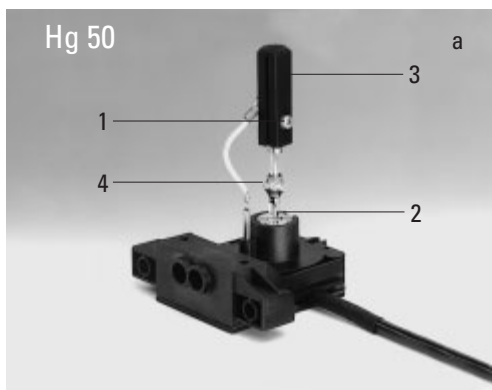


Fig. 16 a-c Douilles de lampes à vapeur de Hg ou Xe

- 1 Serrage supérieur
- 2 Serrage inférieur
- 3 Système de refroidissement
- 4 Raccord de soudure du brûleur Hg 50
- 5 Enveloppe de protection du brûleur Xe 75



6. Assemblage

6.7 Analyseur et polariseur

Analyseur

Si vous avez initialement inséré l'analyseur dans le logement du tube (→ p. 19), aucune autre combinaison n'est possible.

En cas d'utilisation du tube intermédiaire Pol* ou du logement de l'analyseur TL* :

- Enlever le cache situé du côté gauche.
- Faire glisser l'analyseur dans le logement jusqu'à l'encliquetage.

Polariseur

- Tourner le condenseur et l'orienter vers le haut jusqu'à la butée supérieure.
- Enlever le cas échéant le magasin à filtres DLF au pied du statif.
- Monter le porte-polariseur (fig. 18).
- Placer le polariseur dans l'orifice du bas, inscription vers le **haut**.

Fig. 18 Porte-filtre à 2 positions



Autre méthode :

- Fixer le porte-polariseur sous le porte condenseur avec la vis gauche (19.1). Enlever le cas échéant le filtre Flipout.
- Placer le polariseur à la position la plus basse du porte-filtre, inscription vers le **haut**.

6.8 Compensateur à lame Lambda*

- Tourner le condenseur et l'orienter vers le haut jusqu'à la butée supérieure.
- Enlever le cas échéant le magasin à filtres DLF au pied du statif.
- Placer le compensateur à lame Lambda au pied du microscope.

Fig. 19 Montage du porte-polariseur

1 Vis de serrage



6.9 Accessoires en option

Caméra

Un adaptateur permet de connecter une caméra.

- Placer l'adaptateur sur la sortie supérieure du tube et le fixer avec la vis latérale.
- Visser la caméra.



Remarque :

Lors du choix de l'adaptateur, tenir compte de la taille de la puce de la caméra et du système de rechange (adaptateur C-Mount, B-mount, etc.). Voir le tableau.

Calcul du grossissement sur l'écran du moniteur
Le grossissement V_{TV} sur le moniteur peut être calculé selon la formule suivante ou au moyen d'un micromètre-objet et d'un centimètre.

$$V_{TV} = \frac{\text{Grossissement de l'objectif} \times \text{Facteur-changeur de grossissement}^* \times \text{Grossissement de l'adaptateur TV} \times \text{Diamètre de l'écran}}{\text{Diamètre du capteur de la caméra}}$$

Diagonale d'image filmée (en mm) avec caméra

	1 pouce caméra	2/3 pouce caméra	1/2 pouce caméra	1/3 pouce caméra
--	----------------	------------------	------------------	------------------

Grossissement fixe, seulement pour caméra mono CCD :

	16	11	8	6
adaptateur c-mount 1 x HC	16	11	8	6
adaptateur c-mount 0.63 x HC	-	17,5	12,7	9,5
adaptateur c-mount 0.5 x HC	-	-	16	12
adaptateur c-mount 0.35 x HC	-	-	-	17,1

A grossissement variable (adaptateur Vario TV), pour caméra mono out tri CCD :

c-mount, 0.32-1.6 x HC	-	-	19 ⁺⁾⁵	18-3,8
B-mount (ENG), 0.5-2.4 x HC (1/2 pouce)	-	-	16-3,3	-

^{+) à partir du facteur Vario 0.42 x !}

Grossissement fixe, pour caméra mono out tri CCD :

adaptateur c-mount 1 x	-	-	16	12
adaptateur B-mount 1 x	-	-	16	12
adaptateur B-mount 1.25 x	-	17,5	-	-
adaptateur F-mount 1 x	-	-	16	12
adaptateur F-mount 1.25 x	-	17,5	-	-

Indispensable dans chacun des cas : optique TV 0.5 x HC

Module ergonomique

En surélevant le tube, il est possible d'introduire un module ergonomique de 30 ou 60 mm entre le tube et le logement du tube pour faciliter l'observation.

La fixation s'effectue avec la vis latérale.

Dispositif de rehausse ergonomique

Une base est disponible pour le statif ; des molettes permettent d'en régler la hauteur et l'inclinaison afin d'obtenir une position de travail optimale.

Changeur de grossissement

Il est possible d'utiliser en option un changeur de grossissement (fig. 20) manuel. Une molette de réglage permet de régler les facteurs de grossissement suivants :

1x ; 1,5x ; 2x

Fig. 20 Changeur de grossissement



Dispositifs de discussion

Des dispositifs de discussion avec pointeur lumineux sont disponibles pour 20 observateurs au maximum.

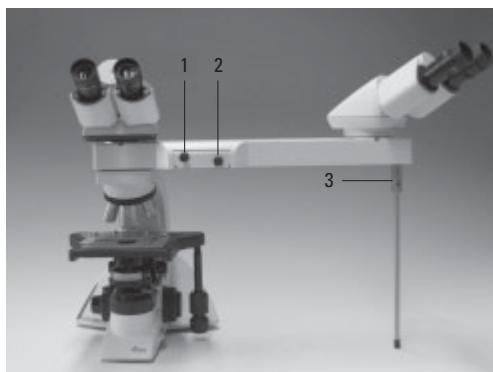
Régler (21.3) la hauteur du pied support pour que le dispositif soit horizontal.

La flèche en surimpression peut être déplacée en position x et y (déplacement vertical ou horizontal) (Il est également possible de faire disparaître la flèche) (21.1). En tournant le même levier, on peut changer la couleur (rouge/jaune). Le réglage de la luminosité de la flèche s'effectue avec la vis (21.2).

Fig. 21 Dispositif de discussion

- 1 Déplacement du pointeur lumineux en direction x et y et commutation du filtre chromatique
- 2 Réglage de la luminosité
- 3 Déplacement du support

Le bloc d'alimentation externe (pointeur lumineux) n'est pas représenté.



Chambre claire

Le chambre claire L3/20 (fig. 22) permet de superposer de grands objets près du microscope dans l'image microscopique. Il est ainsi possible de faire très facilement un tracé de la préparation en suivant les contours de l'objet ou d'afficher des échelles.

6.10 Connexion au bloc d'alimentation

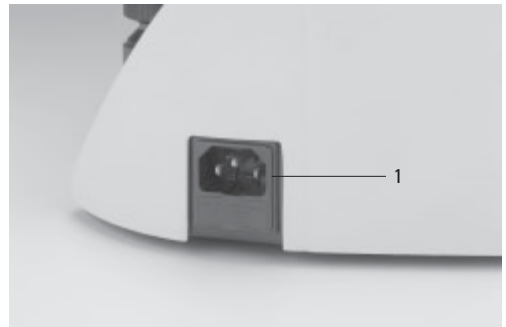
- Après le montage, connecter le microscope à l'alimentation électrique en utilisant le câble secteur fourni (fig. 23).
- Le cas échéant, connecter également le boîtier de lampe ou le régulateur de puissance externe au bloc d'alimentation.

Fig. 22 Traceur
1 Capuchon



Fig. 23 Dos du statif

1 Connexion de l'alimentation électrique



7. Mise en service

7.1 Mise sous tension

- Mettre le microscope sous tension avec l'interrupteur de marche/arrêt (24.1).



Attention :

Après la mise sous tension de la lampe à décharge, centrer immédiatement le brûleur. Attendre **avant de mettre sous tension** le régulateur de puissance. Travailler d'abord en diascopie pour apprendre à connaître les éléments de commande du microscope.

Fig. 24

- 1 Interrupteur
- 2 Volant de mise au point
- 3 Positionnement de la platine



7.2 Éclairage de Koehler

Le condenseur a déjà été centré en usine. Dans certains cas, un centrage complémentaire du condenseur est nécessaire (après montages et démontages successifs du condenseur). C'est pourquoi il convient de vérifier le centrage du condenseur.

Les pas suivants du programme pour l'éclairage se rapportent à une application en transmission en fond clair.

- Activer la position BF de la tourelle de condenseur*.
- Le cas échéant, sortir le coulisseau à anneaux de lumière* du condenseur.
- Faire pivoter vers l'intérieur un objectif de grossissement moyen (10x-20x).
Pour les condenseurs à tête escamotable, faire pivoter la tête de condenseur vers l'intérieur.
(La tête de condenseur doit être escamotée pour les objectifs <10x.)
- Mettre une préparation sur la platine porte-objet.
- Faire une mise au point sur la préparation avec le bouton de mise au point (24.2).
- Régler l'intensité lumineuse avec le dispositif de réglage de la luminosité (25.2).
- Fermer le diaphragme de champ (25.3) jusqu'à ce que le bord du diaphragme apparaisse dans le plan de la préparation (26a).

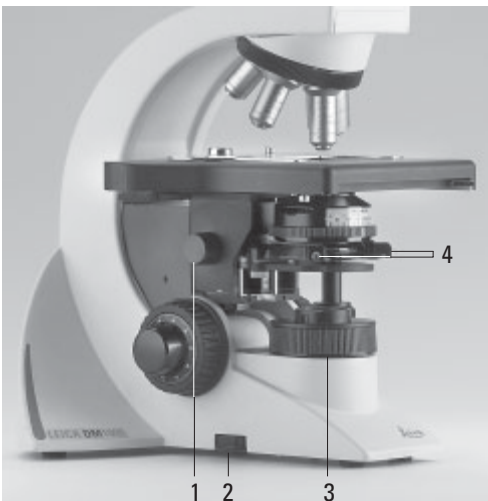
- Le réglage en hauteur du condenseur (25.1) permet de régler le condenseur jusqu'à ce que le bord du diaphragme de champ soit net (26b).
- Si l'image n'est pas au milieu du champ de vision (26c), amener le condenseur au milieu du champ de vision à l'aide des deux vis de centrage (25.4). La bonne clef est fixée par un aimant sous la platine.
- Ouvrir le diaphragme de champ jusqu'à ce qu'il disparaisse du champ de vision (26d).

**Attention :**

Le réglage en hauteur du condenseur dépend de l'épaisseur de la préparation ; le cas échéant, il est nécessaire de faire un nouveau réglage pour les différents échantillons.

Fig. 25

- 1 Changement de hauteur du condenseur
- 2 Réglage de la luminosité
- 3 Diaphragme de champ
- 4 Centrage du condenseur

**7.3 Vérification des anneaux de contraste de phase**

Si le microscope est équipé pour l'utilisation du contraste de phase, la tourelle de condenseur est déjà équipée des anneaux de lumière adaptés aux objectifs.

Les anneaux de lumière sont déjà centrés en usine. Mais le centrage doit être vérifié après le montage du microscope.

**Remarque :**

Pour les condenseurs sans tourelle de condenseur, on utilise un anneau de phase en coulisseau, celui-ci se place sur le côté du condenseur. Dans ce cas il n'est plus nécessaire de faire ce centrage.

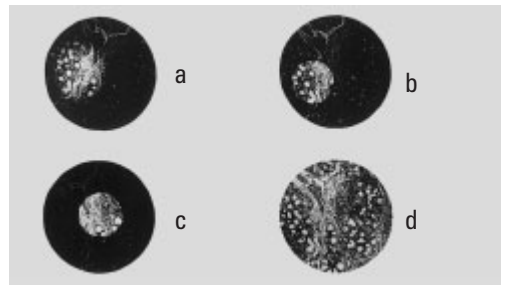
**Remarque :**

Lors de la mise en place d'un objectif prévu pour le contraste de phase, il faut choisir l'anneau de lumière correspondant.

La gravure sur l'objectif (par ex. PH 1) renseigne sur l'anneau de lumière à utiliser (par ex. 1).

Fig. 26 Éclairage de Koehler

- a Diaphragme de champ non focalisé, non centré
- b Diaphragme de champ focalisé, mais non centré
- c Diaphragme de champ focalisé et centré, diamètre cependant trop petit
- d Diamètre du diaphragme de champ = diamètre de champ visuel (éclairage de Koehler)



7. Mise en service

- Insérer à la place d'un oculaire la lunette de mise au point (fig. 27) dans le tube d'observation.
- Sélectionner l'objectif contraste de phase ayant le grossissement le plus petit.
- Mettre au point la préparation avec le bouton de mise au point.
- Mettre au point sur l'anneau (29a) après avoir desserré un peu l'anneau de serrage (27.2) en déplaçant la lentille frontale de la lunette (27.1).
- Resserrer l'anneau de serrage.
- Sélectionner l'anneau de lumière correspondant dans le condenseur.
- Si l'anneau de lumière et l'anneau de phase, ne se superposent pas parfaitement, comme le montre la fig. 29c, centrer l'anneau de lumière.
- Insérer au dos du condenseur les clefs de centrage dans les orifices prévus à cet effet (28.1).

Fig. 27 Lunette de mise au point

- 1 Lentille frontale réglable
- 2 Bague de serrage pour maintenir de mise au point



- Tourner les clefs de centrage jusqu'à ce que l'anneau sombre (anneau de phase dans l'objectif) et l'anneau clair légèrement plus petit (anneau de lumière du condenseur) se superposent parfaitement (29c).
- Répéter cette opération pour chaque objectif.
- Après le réglage, enlever la clef de centrage.

Fig. 28 Centrage des anneaux de lumière (par ex. : condenseur UCL/P)

- 1 Clef de centrage

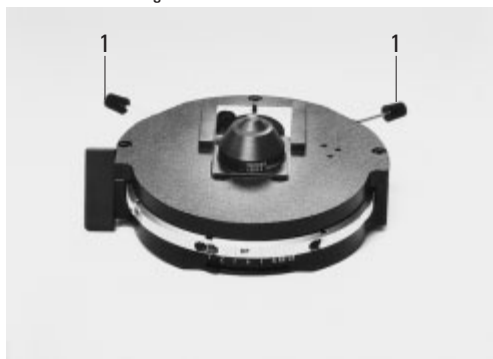
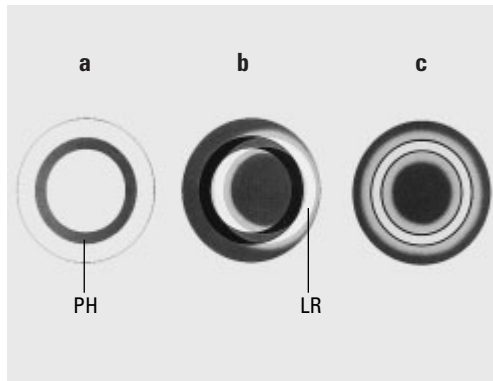


Fig. 29 Méthode de centrage du contraste de phase
PH=anneau du contraste de phase, LR=anneau de lumière

- a Condenseur en position Fond clair (BF)
- b Condenseur en position Contraste de phase (PH)
Anneau de lumière LR non centré
- c Anneau de lumière et anneau de phase centrés



7.4 Ajustement des sources de lumière

Un centrage est nécessaire uniquement en cas d'utilisation du boîtier de lampe 106z.

- En cas d'utilisation d'un régulateur de puissance, il convient de le mettre sous tension en premier.



Attention !

Ne jamais regarder directement dans le trajet optique !



Attention !

Avec les sources de lumière, il y a en général un risque de rayonnements (éblouissement, rayonnement UV, rayonnement IR).

Avec le boîtier de lampe 106z, la lumière directe de l'arc électrique (pour les lampes à décharge) et leur image miroir font l'objet d'une mise au point séparée et sont ensuite harmonisées.

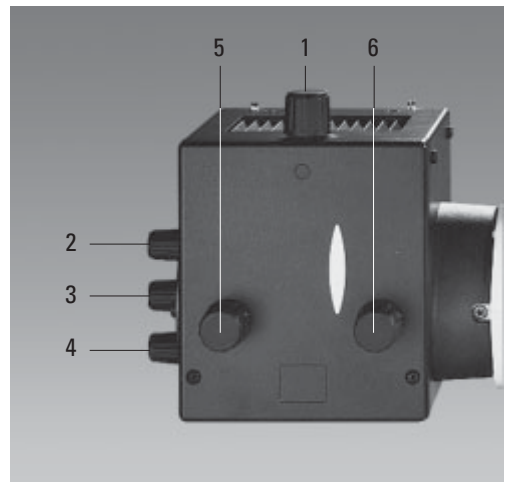
- Amener le système de filtres ou plus précisément le réflecteur dans le trajet optique.
- Ouvrir éventuellement l'obturateur et enlever le cas échéant les verres diffuseurs* du trajet optique.

- Poser une feuille de papier sur la platine porte-objet et faire une mise au point de la surface avec un objectif à sec de grossissement faible à moyen.
- Placer le diaphragme de champ et d'ouverture en position médiane.
- Avec un stylo, faire un repère sur le papier et déplacer le repère au milieu du champ éclairé.
- Enlever l'objectif ou mettre dans le trajet optique une position vide du revolver.

La source de lumière est maintenant reproduite sur le papier. En observant cette source de lumière, ajuster la lampe comme suit.

Fig. 30 Boîtier de lampe 106 z

- 1 Ajustement vertical de la lampe
- 2,4 Ajustement vertical et latéral de l'image miroir
- 3 Mise au point du réflecteur
- 5 Ajustement latéral de la lampe
- 6 Collecteur (mise au point de l'image de la lampe)



Centrage de la lampe au mercure Hg 50 W

- Sur le papier, on voit l'image directe de l'arc électrique et l'image réfléchi qui sont généralement décalées.
- Faire une mise au point de l'image directe avec le collecteur (30.6).
- Faire glisser sur le côté ou complètement hors du trajet optique l'image réfléchi de l'arc électrique en utilisant les boutons de réglage situés au dos du boîtier de lampe (30.2, 30.4). L'image mise au point de l'arc électrique reste visible (fig. 31).
- En utilisant les boutons de réglage (30.1) et (30.5), placer l'image directe de l'arc électrique à droite ou à gauche sur une ligne médiane supposée de la surface de centrage (fig. 32).
- Faire glisser à nouveau vers l'intérieur l'image réfléchi de l'arc électrique avec les boutons de réglage (30.2) et (30.4) et faire une mise au point à l'aide du réflecteur (30.3).
- Orienter l'image réfléchi symétriquement par rapport à l'image directe (fig. 33). Pour ce faire, utiliser les boutons de réglage (30.2) et (30.4).
- Dé focaliser alors l'image au moyen du bouton du collecteur (30.6) jusqu'à ce qu'on ne puisse plus distinguer l'image de l'arc électrique et l'image réfléchi et que l'éclairage de l'image soit homogène.

Fig. 31 Image directe de l'arc électrique focalisée mais décentrée (en réalité, l'image est moins nette)

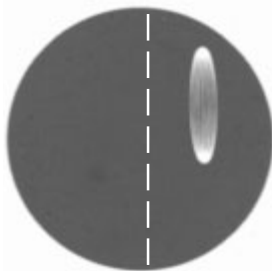


Fig. 32 Image directe de l'arc électrique en position correcte (en réalité, l'image est moins nette)

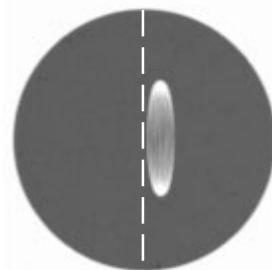
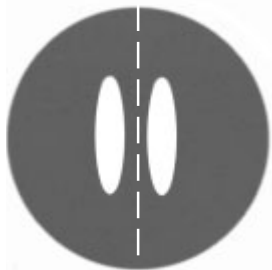


Fig. 33 Image directe de l'arc électrique et image réfléchi en position correcte (en réalité, l'image est moins nette)



Centrage des lampes au mercure Hg 100 W et Xe 75 W

- Sur le papier, on voit l'image directe de l'arc électrique et l'image réfléchie qui sont généralement décalées.
- Faire une mise au point de l'image directe avec le collecteur (30.6).
- Faire glisser sur le côté ou complètement hors du trajet optique l'image réfléchie de l'arc électrique en utilisant les boutons de réglage situés au dos du boîtier de lampe (30.2, 30.4). L'image de l'arc électrique reste visible (fig. 34).
- Positionner l'image directe de l'arc électrique au milieu de la surface de centrage avec les boutons de réglage (30.1) et (30.5), la pointe claire de l'arc électrique –spot cathodique – devant être légèrement décentrés (fig. 35).
- Faire glisser à nouveau vers l'intérieur l'image réfléchie de l'arc électrique avec les boutons de réglage (30.2) et (30.4) et faire une mise au point à l'aide du réflecteur (30.3).
- Orienter l'image réfléchie symétriquement par rapport à l'image directe (fig. 36). Utiliser à cet effet les boutons de réglage (30.2) et (30.4). Il est possible de superposer le rayonnement en forme de V des arcs électriques de l'image directe et de l'image réfléchie.

Fig. 34 Image directe de l'arc électrique focalisée mais décentrée (en réalité, l'image est moins nette)

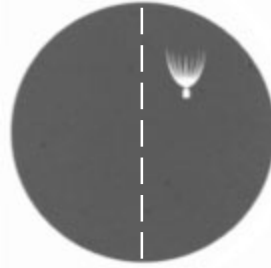


Fig. 35 Image directe de l'arc électrique en position correcte (en réalité, l'image est moins nette)

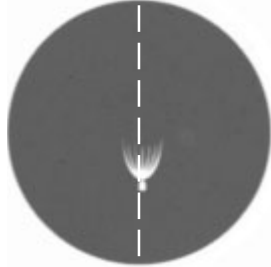
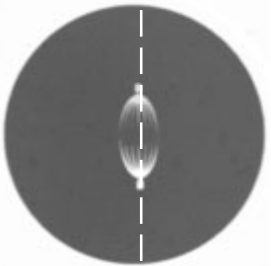


Fig. 36 Image directe de l'arc électrique et image réfléchie en position correcte (en réalité, l'image est moins nette)



Attention !

Les pointes claires des arcs électriques, les taches focales cathodiques, ne doivent jamais être projetées l'une sur l'autre au risque de provoquer une explosion due à la surchauffe.



Attention !

Avec des lampes anciennes, la structure de l'arc électrique n'est plus reconnaissable. L'image ressemble plus à celle d'une lampe HG 50. Il n'est ainsi plus possible de superposer exactement image et image réfléchie. Dans ce cas, faire coïncider les deux images.

- Dé focaliser alors l'image au moyen du bouton du collecteur (30.6) jusqu'à ce qu'on ne puisse plus distinguer l'image de l'arc électrique et l'image réfléchie et que l'éclairage de l'image soit homogène.

8. Utilisation

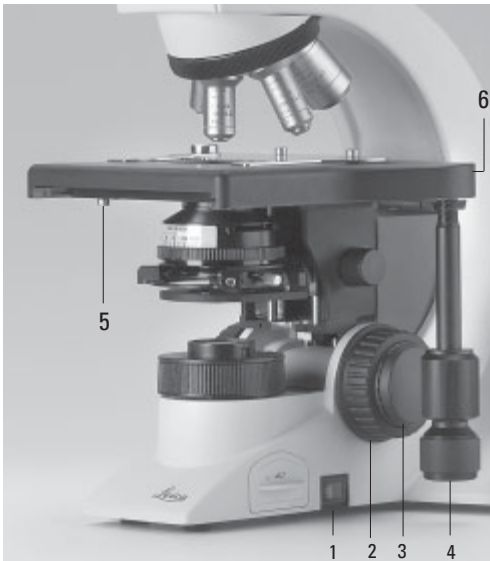
8.1 Mise sous tension

En cas d'utilisation d'une lampe à décharge, il faut d'abord mettre sous tension le régulateur de puissance séparément.

Mettre le microscope sous tension avec l'interrupteur de marche/arrêt (37.1).

Fig. 37

- 1 Interrupteur
- 2 Mise au point grossière
- 3 Mise au point fine
- 4 Positionnement de la platine
- 5 Vis d'arrêt de la platine
- 6 Vis de fixation du pignon coaxial



8.2 Platines et déplacement d'objet

Allongement du pignon coaxial

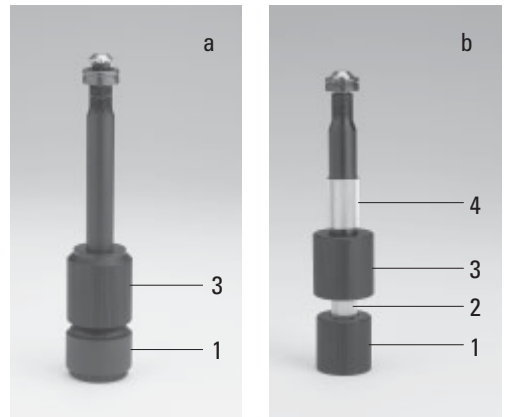
- Pour allonger le levier de commande coaxiale, abaisser la poignée du bas (38b.1). Asservir ensuite la poignée du haut (38b.2).

Réglage de la direction du pas (couple de rotation)

Le couple de rotation peut être réglé séparément en X et Y au moyen de deux molettes (38b.2, 38b.4).

Fig. 38a Pignon coaxial standard, **b** Pignon coaxial avec réglage de la hauteur et du couple de rotation

- 1 Déplacement de l'objet (direction Y)
- 2 Réglage de la direction du pas (direction X)
- 3 Déplacement de l'objet (direction X)
- 4 Réglage de la direction du pas (direction Y)



Utilisation à droite/gauche

Le levier de commande coaxiale peut se fixer à la platine à droite ou à gauche. (Voir aussi la section Assemblage p. 16f). Pour changer de côté, procéder ainsi :

- Desserrer la vis de blocage (37.5) à gauche sous la platine. La bonne clef se trouve à droite sous la platine.

! Attention !

Il est impératif d'abaisser le condenseur !

- Faire coulisser la platine complètement vers l'arrière.
- Desserrer la vis (37.6) du levier de commande coaxiale et la retirer.
- Installer le bouton plat de la mise au point fine (37.3) sur la face latérale qui recevra le pignon coaxial. Le bouton est maintenu en place par un aimant. Veiller à l'enclenchement du bouton. Fixer l'autre bouton de mise au point de l'autre côté du statif.
- Fixer le levier de commande coaxiale de l'autre côté de la platine en serrant la vis correspondante.
- Amener à nouveau la platine en position de départ et serrer la vis de blocage.
- Remettre le condenseur sous tension.

8.3 Mise au point

Mise au point grossière et fine

Des deux côtés du statif se trouvent les volants des mises au point grossières et fines (fig. 37 et 39).

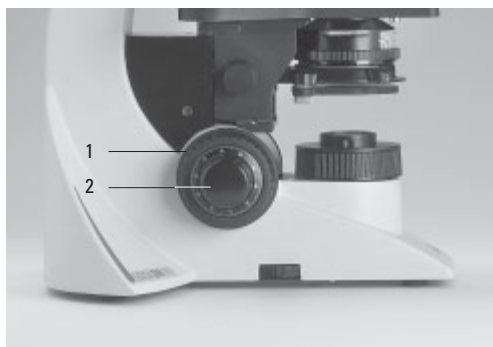
La forme spéciale du bouton plat de mise au point fine (37.3) permet simultanément de tenir le levier de commande coaxiale dans la main et d'utiliser avec un doigt le mouvement fin. C'est pourquoi le bouton plat doit être placé du bon côté. Voir la section Utilisation à droite/gauche de la platine.

Réglage en hauteur des boutons de mise au point

- Dé focaliser l'image microscopique en abaissant la platine au moyen du bouton de mise au point **grossière** (37.2 , 39.1).
- Saisir simultanément les boutons droit et gauche de la mise au point et amener les boutons à la position souhaitée en appuyant légèrement vers le haut ou le bas.
- Faire à nouveau une mise au point de l'image.

Fig. 39 Bouton de mise au point avec graduation

- 1 Mise au point grossière
- 2 Mise au point fine



8.4 Tubes



Remarque :

Obturer soigneusement les sorties non utilisées du tube, pour éviter que des lumières parasites ne gênent les observations.

Réglage de la distance interoculaire

Régler la distance interoculaire des tubes oculaires de façon à percevoir une image globale de même étendue (fig. 40).

Réglage de l'angle d'observation

- Avec les tubes ergonomiques HC LVB 0/4/4 et HC -/0/4, le réglage de l'angle d'observation peut s'effectuer en inclinant le viseur binoculaire.
Tube ergonomique (long, inclinable) : 0 à 35°
Tube ergonomique (court, inclinable) : 7,5 à 32,5°
- Avec les tubes ergonomiques AET22 et EDT22, le réglage de l'angle d'observation peut s'effectuer en inclinant le viseur binoculaire sur une plage de 5 à 32° (fig. 41).

Fig. 40 Réglage du tube

↔ Réglage de la distance interoculaire individuelle

1 Échelle (mm), 2 Module intermédiaire*, sur l'image : module ergonomique



Adapter l'extension d'oculaire à la longueur de bras

- Sur le tube AET22, il est possible d'allonger le tube porte oculaire de 30 mm (fig. 41).

Division du faisceau lumineux sur les tubes photo

Tube EDT22 :

La répartition lumineuse entre les sorties d'observation et photo/vidéo est fixe (50:50).

Tube BDT25+ :

Le réglage de la répartition lumineuse s'effectue manuellement en actionnant une tirette de commande.




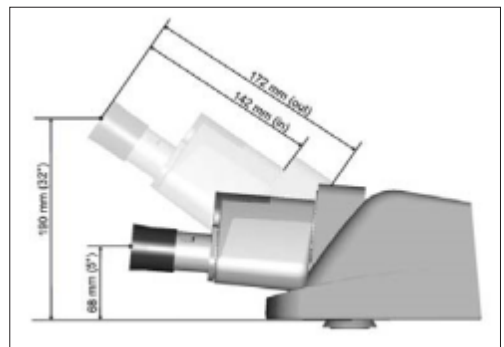
Barre de commande	Observation	Photo
VIS 	100 %	0 %
50/50 	50 %	50 %
PHOTO 	0 %	100 %

Fig. 41 Réglages individuels sur le tube AET22



Tube HC L 2TU :

Le réglage de la répartition lumineuse s'effectue manuellement en actionnant une tirette de commande.

Barre de commande	Observation	Photo
VIS	<input type="checkbox"/> 100 %	0 %
PHOTO	<input type="checkbox"/> 0 %	100 %

8.5 Oculaires



Remarque :

Les oeilères anti-éblouissement des oculaires doivent être retournées si vous portez des lunettes.

Pour l'observation en microscopie, il ne faut pas porter de lunettes à double foyer (verres bifocaux et progressifs).

- Sélectionner sur les tubes commutables avec sortie photo/vidéo la position 100 % VIS.

Oculaires avec réticule

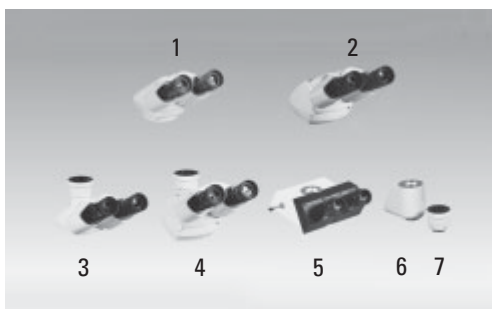
- Régler la netteté du réticule en déplaçant la lentille frontale dans l'oculaire.
- Faire une mise au point de l'objet avec cet oculaire.
- Puis fermer l'œil et effectuer la mise au point de l'objet en regardant seulement dans le second oculaire.

Correction de vision déficiente

- Regarder de l'œil droit par l'oculaire droit et faire la mise au point de la préparation.
- Observer ensuite avec l'œil gauche la même portion de la préparation et faire tourner le manchon de l'oculaire gauche jusqu'à obtention d'une image nette de la partie d'objet concernée ; Ne pas toucher le bouton de mise au point !

Fig. 42 Programme de tube HC L

- 1 Tube d'observation binoculaire HC LB 0/3/4
- 2 Tube ergonomique HC LVB 0/4/4, binoculaire, angle d'observation 0 à 35°
Plus tube ergonomique (court) HC -/0/4, inclinable de 7,5 à 32,5°
- 3 Tube trinoculaire H L1T 4/5/7, avec répartiteur optique fixe (50 %/50 %)
- 4 HC L1VT 0/4/4 comme 3, mais avec angle d'observation réglable de 0 à 35°
- 5 Tube trinoculaire à 3 positions HC L3TP 4/5/7
- 6 Tube photo avec 2 sorties (50 %/50 %)
- 7 Sortie photo-vidéo



8.6 Objectif

Changement d'objectif

La tourelle porte-objectifs est manuelle. Veiller au bon positionnement du revolver.

En cas de changement d'objectif, il convient de vérifier les réglages suivants :

- diaphragme de champ → p. 41
 - diaphragme d'ouverture → p. 40
 - intensité lumineuse → p. 40.
- Avec les **objectifs à immersion**, utiliser le milieu d'immersion correspondant.
 OIL : n'utiliser que l'huile d'immersion optique selon DIN/ISO.
 Nettoyage → p. 54
 W : immersion d'eau.
 IMM : objectif universel pour immersion dans l'eau, le glycérol, l'huile.



Attention !

Respecter la fiche de sécurité relative à l'huile d'immersion !



Remarque :

Avec des objectifs à immersion rétractables.
 Pour les verrouiller appuyer sur l'avant vers le haut (de 2 mm environ) jusqu'en butée. Après une légère rotation vers la droite, l'objectif est verrouillé (fig. 44).

Avec les objectifs à monture correctrice, adapter l'objectif à l'épaisseur du couvre-objet en tournant la bague.

Fig. 43 Objectif à immersion, déverrouillé



Fig. 44 Objectif à immersion, verrouillé



8.7 Sources de lumière

Diascopie

- Régler la luminosité avec le bouton de réglage (45.1).

Les nombres figurant sur le bouton de réglage ne sont pas des valeurs absolues ; ils ne servent qu'à faire des repères de reproductibilité. La valeur maximale correspond à 12 V, le repère correspond à une température de couleur d'environ 3 200 K.



Remarque :

Les séries d'objectifs
HI PLAN xx SL et
HI PLAN CY xx SL

(Synchronized Light) permettent de changer d'objectif sans modifier l'intensité lumineuse.

Fluorescence

- Mettre sous tension la lampe du régulateur de puissance.



Attention !

La distance minimale entre le boîtier de lampe et le mur, les rideaux, les tapis, les livres et les objets inflammables est de **10 cm!**
Danger d'incendie !

Observer le mode d'emploi spécifique du régulateur de puissance !

8.8 Diaphragme d'ouverture

Le diaphragme d'ouverture (46.3) sur le condenseur détermine la résolution, la profondeur de champ et le contraste de l'image microscopique. On obtient la meilleure résolution lorsque les ouvertures de l'objectif et du condenseur sont approximativement identiques.

Avec une ouverture du diaphragme inférieure à celle de l'objectif, le pouvoir de résolution diminue mais le contraste est plus élevé. Une diminution de l'intensité de résolution est visible à l'œil nu lorsqu'on ferme le diaphragme d'ouverture à moins de 0.6x de la valeur d'ouverture de l'objectif ; ceci est donc déconseillé.

En polarisation, le fait de fermer le diaphragme d'ouverture intensifie les couleurs.

Le diaphragme d'ouverture se règle subjectivement en fonction de l'aspect de l'image, l'échelle sert à faire des réglages reproductibles sans modification des valeurs d'ouverture absolues.

Fig. 45

1 Réglage de la luminosité



Condenseur avec repères en couleur

Les repères en couleur sur le condenseur (46.2) correspondent aux anneaux de couleur des objectifs.

Lors du changement d'objectif, trouver le réglage approprié du diaphragme d'ouverture en réglant le diaphragme d'ouverture sur le repère en couleur correspondant (correspond aux 2/3 de l'ouverture du côté de l'objectif).



Attention :

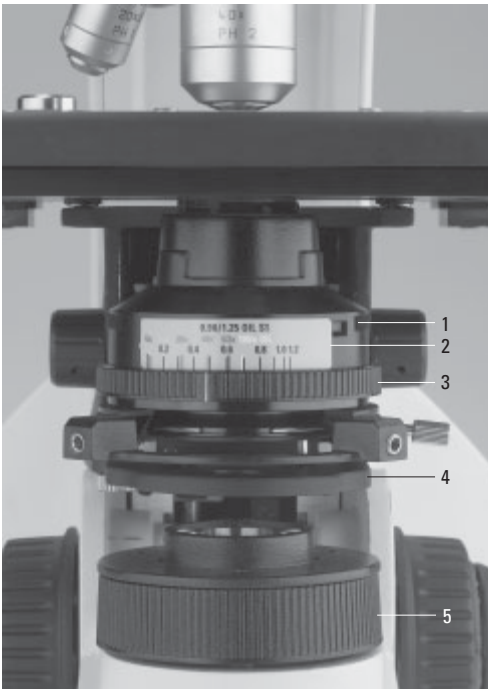
Le diaphragme **d'ouverture** ne sert **pas** à régler la luminosité de l'image. (Pour cela, il faut utiliser la molette de variation de lumière et utiliser des filtres gris neutres d'atténuation de la lumière.

En règle général, le diaphragme de l'**objectif** est entièrement ouvert. Toute restriction, accompagnée d'une luminosité diminuée de l'image, génèrera

- une profondeur de champ accrue
- une sensibilité réduite de la lamelle couvre-objet
- une aptitude au fond noir
- une modification du contraste.

Fig. 46 Condenseur CL/PH

- 1 Logement pour anneaux de lumière, notamment
- 2 Repères couleur
- 3 Diaphragme d'ouverture
- 4 Porte-filtre
- 5 Diaphragme de champ



8.9 Diaphragme de champ

Le diaphragme de champ (46.5) protège la préparation d'un échauffement éventuel ainsi que des lumières parasites en vidéo ,ce qui augmente le contraste de la préparation. Il faut donc l'ouvrir suffisamment pour que le champ objet observé ou photographié soit éclairé correctement. Un changement de grossissement demande toujours un réglage du diaphragme de champ.

9. Méthode de contraste

9.1 Lumière transmise

Grandissement de l'objectif 2.5x*

Les **condenseurs CL/PH ou CLP/PH** peuvent être utilisés avec des objectifs de grandissement minimum de **4x**.

Avec un coulisseau pour lumière parasite*, un objectif de **2.5x** est encore possible mais pas en polarisation.

Les **condenseurs UCL ou UCLP** sont utilisables à partir d'un grandissement de **4x**.

En cas d'utilisation d'une lentille additionnelle (dans la tourelle de condenseur), le grandissement **2.5 x** est également possible.

Avant de mettre en place la lentille additionnelle, il faut régler l'éclairage de Koehler (→ p. 28) avec l'objectif 4x ou 10x.

Passer ensuite à l'objectif 2.5x, escamoter la lentille de condenseur, ouvrir complètement le diaphragme d'ouverture et fermer le diaphragme de champ.

Si des ombres en forme de faucille sont visibles, il faut centrer le condenseur. Placer les deux clefs de centrage à l'oblique dans le condenseur et régler jusqu'à la disparition des ombres asymétriques. Enlever les clefs de centrage et rouvrir le diaphragme de champ.

La lentille ne peut être utilisée qu'avec un grandissement d'objectif max. de 20 x. L'éclairage de Koehler n'est fondamentalement plus très précis !

Le **condenseur Achr.Apl.0.9 (P)** est utilisable tel quel à partir d'un grandissement de **4x**.

Quand la tête de condenseur est escamotée, un grandissement d'objectif **2.5x** est possible sans verre diffuseur ; quand la tête de condenseur est en place, il faut utiliser le verre diffuseur en monture (indice de champ d'oculaire max. 22).

Grandissements d'objectifs 1.6x et 2.5x*

Avec les condenseurs CL/PH ou CLP/PH, UCL ou UCLP, des grandissements **1.6x** et **2.5x** sont également possibles quand le condenseur est complètement escamoté. Le diaphragme de champ est fonctionnel par rapport au diaphragme d'ouverture.



Remarque :

Si le microscope est équipé pour la polarisation, pour utiliser les autres méthodes de contraste, il faut enlever l'analyseur et le polariseur, et éventuellement le compensateur à lame Lambda, du trajet optique.

9.1.1 Fond clair

Le cas échéant:

- Commuter la tourelle de condenseur* en position **BF**.
- Sortir le coulisseau à anneaux de lumière*.
- Commuter la tourelle de fluorescence* sur une position libre ou sur le système de filtres A.
- Poser une préparation pour diascopie.
- Placer l'objectif approprié dans le trajet optique.
 - Avec des condenseurs à têtes escamotable, pour des objectifs $< 10\times$: basculer la tête de condenseur hors du trajet optique.
- Faire une mise au point de l'image avec le bouton de mise au point et régler la luminosité.
- Pour un réglage optimal du diaphragme de champ, vérifier l'éclairage de Koehler (\rightarrow p. 28).
- Utiliser, si besoin est, les filtres de diascopie appropriés (fig. 47).

Fig. 47 Logements de filtres

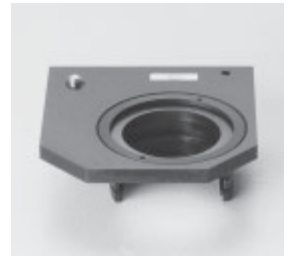
Magasin à filtres DLF à placer sur le pied du microscope



Porte-filtre à 2 positions ou 1 position à placer sur le pied du microscope



Porte-filtre à visser en bas sur le condenseur



9. Méthode de contraste

9.1.2 Contraste de phase

- Poser une préparation pour diascopie.
- Placer l'objectif approprié dans le trajet optique.
Les objectifs prévus pour le contraste de phase portent l'inscription **PH**.
- Faire une mise au point de l'image avec le bouton de mise au point et régler la luminosité.
- Pour un réglage optimal du diaphragme de champ, vérifier l'éclairage de Koehler (→ p. 28).
- Ouvrir complètement le diaphragme d'ouverture (position **PH**).
- Condenseurs UCL/UCLP et UCA/P :
Choisir l'anneau de lumière (dans la tourelle de condenseur) correspondant à l'objectif.
Exemple : l'anneau de lumière 1 est associé à l'objectif portant l'inscription PH 1.
Condenseurs CL/PH, CLP/PH et APL. ACHR.0.9 (P) :
Utiliser le coulisseau à anneaux de lumière.



Remarque :

Pour les condenseurs UCL/UCLP et UCA/P, il faut centrer les anneaux de lumière (→ p. 29).

9.1.3 Fond noir

- Poser une préparation pour diascopie.
- Placer dans le trajet optique l'objectif approprié.
- Faire une mise au point de l'image avec le bouton de mise au point et régler la luminosité.
- Condenseur UCL/P :
Sélectionner la position **DF** sur la tourelle du condenseur.
Condenseurs CL/PH, CLP/PH et APL. ACHR.0.9 (P) :
Insérer le coulisseau à anneaux de lumière **DF** jusqu'en butée.
Vérifier l'éclairage de Koehler (→ p. 28).
- Ouvrir complètement le diaphragme d'ouverture (position **PH**).
- Condenseur UCL/P :
Sélectionner la position **DF** sur la tourelle du condenseur.
Condenseurs CL/PH, CLP/PH et APL. ACHR.0.9 (P) :
Faire coulisser le coulisseau à anneaux de lumière **DF** jusqu'en butée.



Remarques :

En cas d'utilisation du condenseur UCA/P, il faut centrer l'anneau de lumière DF (→ p. 29).

Pour le Leica DM1000, des condenseurs spéciaux pour le fond noir sont disponibles (fig. 61). L'ouverture des objectifs utilisés détermine la possibilité d'utiliser des condenseurs DF. Avec des objectifs à diaphragme iris intégré, il est possible de moduler l'ouverture numérique.

9.1.4 Éclairage oblique

- Régler la diascopie fond noir.
- Pour obtenir un contraste en relief :
Condenseur UCA/P :
 Tourner très légèrement la tourelle de condenseur pour lui faire quitter la position **DF**.
Condenseurs CL/PH, CLP/PH et APL. ACHR.0.9 (P) :
 Ne pas faire coulisser complètement le coulisseau à anneaux de lumière **DF**.

9.1.5 Polarisation

- Faire pivoter le cas échéant vers l'extérieur la lame Lambda du compensateur.
- Poser une préparation et placer dans le trajet optique l'objectif approprié.
- Faire une mise au point de la préparation et régler l'éclairage de Koehler. (→ p. 28).
- En fonction de l'équipement au montage, l'analyseur a été mis en place dans le logement du tube.
 Autre méthode :
Analyseur en coulisseau TL* :
 Insérer l'analyseur jusqu'en butée. (inscription λ vers le bas.)
Tube intermédiaire Pol* :
 Mettre l'analyseur en place.
- Introduire le polariseur (inscription vers le **haut**) dans le porte-filtre.

! Attention !

Placer impérativement le polariseur de sorte que l'inscription soit vers le **haut**, sinon le filtre anti-calorique intégré serait inefficace et le polariseur inutilisable (coloration !)

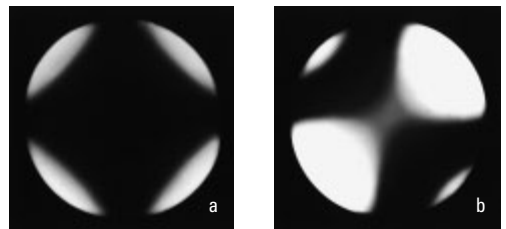
- Croiser polariseur et analyseur jusqu'à l'extinction :
 - Enlever l'objet ou chercher un endroit libre sur la préparation.
 - Faire coulisser l'analyseur dans le statif jusqu'au second encliquetage ou activer le module.
 - Enlever les compensateurs du trajet optique.
 - Tourner le polariseur jusqu'à l'extinction (fig. 48).
 - Mémoriser la position croisée et bloquer avec la vis.

Fig. 48

Polariseur/analyseur croisés, observation avec lunette de mise au point ou lentille de Bertrand, objectif Pol à ouverture élevée

a Position correcte, **b** Position incorrecte

En cas de tensions dans le condenseur ou l'objectif, la pos. a n'est pas réglable, la pos. b est suffisante pour le contraste de polarisation.



9. Méthode de contraste

- Si besoin est :
Placer la lame λ ou $\lambda/4$ dans le logement de filtres intégré au porte-condenseur et la tourner vers la gauche jusqu'à la butée.
Condenseur CLP/PH :
Introduire la lame λ ou $\lambda/4$ dans la fente latérale du condenseur.
Condenseurs UCLP et UCA/P :
Amener la tourelle en position λ ou $\lambda/4$.
Autre méthode :
Il est possible d'insérer dans la fente de compensateur des compensateurs 4x20 mm.

9.2 Fluorescence

- Poser une préparation appropriée et amener l'objectif correspondant.
- Faire une mise au point de l'image, éventuellement en diascopie.
- Mettre sous tension la source d'épiscopie sur le régulateur de puissance externe.
- Ouvrir l'obturateur.
- Mettre en place la combinaison de filtre appropriée.
- Positionner le cas échéant le changeur de grossissement sur le facteur 1x.
- Désactiver le filtre BG38 (nécessaire pour la photographie) si aucun fond rouge gênant n'est visible.
- Ouvrir le diaphragme d'ouverture du condenseur.
- Régler le diaphragme de champ sur le diamètre de champ visuel.
Centrer le cas échéant le diaphragme de champs.

Fig. 49 Leica DM1000 avec illuminateur de fluorescence et boîtier de lampe 106z



10. Mesures avec le microscope

10.1 Mesures de longueur

Pour les mesures de longueur, il est nécessaire d'avoir :

- un réticule avec graduation dans l'oculaire ou tube HC FSA 25 PE avec réflexion de diapositives ou un oculaire de mesure de longueur ;
- un micromètre-objet pour le calibrage d'éta-lonnage.

(→ fig. 50, p. 48)

Valeur en micromètres

Avant de procéder à la mesure, il faut connaître la valeur en micromètres de la combinaison objectif-oculaire utilisée, c'est-à-dire la distance dans la préparation qui correspond à une division du réticule utilisé.

Pour calculer la valeur, procéder comme suit :

- orienter le micromètre-objet et le réticule en tournant l'oculaire parallèlement et amener les traits du zéro des deux échelles à une hauteur identique.
- Lire quel nombre de divisions d'échelle sur le micromètre-objet correspond à tel nombre de divisions d'échelle sur le microscope (réticule).
- Diviser les deux valeurs. Le résultat donne la valeur en micromètres du grossissement total utilisé actuellement.

Exemple :

Si 1,220 mm du micromètre-objet correspond à 50 divisions d'échelle de mesure, la valeur en micromètres = $1,220:50 = 0,0244 \text{ mm} = 24,4 \text{ }\mu\text{m}$. En cas d'objectifs à très faible grossissement, dans certaines circonstances, il n'est possible d'utiliser pour le calibrage d'éta-lonnage qu'une partie de l'échelle de mesure.



Remarques :

En cas d'utilisation d'un changeur de grossissement, il faut tenir compte du Facteur de grossissement ! Il est impératif de réaliser un calibrage d'éta-lonnage pour chaque objectif et chaque facteur du changeur de grossissement et non pas d'extrapoler les valeurs en micromètres des autres objectifs ou les niveaux de grossissement à partir du calibrage d'éta-lonnage d'un objectif donné.

Des erreurs de mesure peuvent se produire si l'oculaire n'est pas introduit dans le tube jusqu'à la butée.

Les structures d'objets particulièrement grandes peuvent être déterminées sur la platine porte-objet avec des verniers (0,1 mm) ; il faut éventuellement calculer la distance à mesurer en combinant les mesures x et y.

10.2 Mesures d'épaisseur

Les mesures d'épaisseur sont en principe réalisables à condition de pouvoir focaliser le dessus et le dessous de l'objet. À partir de la différence de réglage en hauteur de la platine (bouton de mise au point fine : distance des deux divisions env. $1 \mu\text{m}$), on obtient pour les objets en diascopie une valeur qui est faussée par l'indice de réfraction de l'objet (au travers duquel la focalisation a eu lieu) et le cas échéant de l'huile d'immersion. La véritable épaisseur de la partie d'objet mesurée en diascopie s'obtient à partir du déplacement vertical de la platine (différence de mise au point) et des indices de réfraction n_0 de l'objet et n_i du milieu entre le couvre-objet et l'objectif (air = 1).

$$d = d' \frac{n_0}{n_i}$$

Exemple :

Le dessus et le dessous d'une lame mince ont été mis au point avec un objectif sec ($n_i = 1,0$), divisions du mouvement fin mécanique (longueur de l'échelon = $1 \mu\text{m}$) :

9,0 et 27,0.

Donc $d' = 18 \times 1 = 18 \mu\text{m}$.

L'indice de réfraction supposé de la partie d'objet est $n_0 = 1,5$.

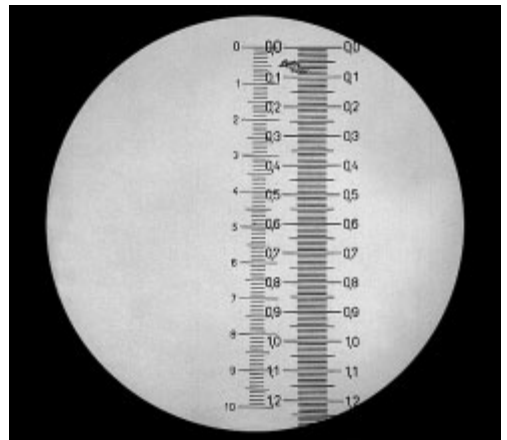
Épaisseur $d = 18 \times 1 \times 1,5 = 27 \mu\text{m}$.

Marqueur d'objet

Il est vissé à la place d'un objectif. En tournant le diamant, qui est réglable en hauteur, on peut graver sur l'objet des cercles concentriques de rayon variable (sur le couvre-objet ou à la surface de l'objet).

Fig. 50

Graduation du réticule dans l'oculaire (à gauche) et image du micromètre-objet (à droite)



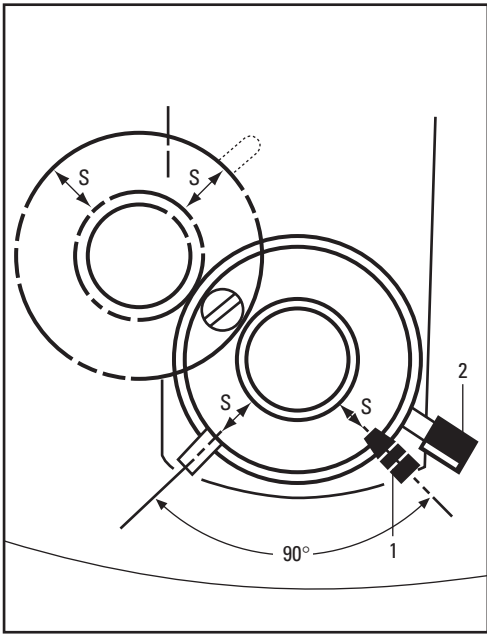
10.3 Différenciation de la goutte et de la pseudo-goutte

La réalisation de ce test présuppose l'utilisation du compensateur à lame Lambda.
Assemblage → p. 24.

Orientation du compensateur à lame Lambda

- Faire sortir la lame Lambda du trajet optique (fig. 51).
- Amener le compensateur à plaque Lambda et l'analyseur en position en croix jusqu'à l'extinction (polarisation → p. 45).
- Mémoriser la position croisée et bloquer avec la vis latérale (51.2).
- Remettre en place le compensateur à lame Lambda.

Fig. 51 Plaque Lambda après pivotement vers l'extérieur
1 Levier d'orientation
2 Vis de serrage



La section suivante explique la procédure simple permettant de différencier la goutte et la pseudo-goutte. Ce test s'appuie sur la biréfringence négative des urates et la biréfringence positive des pyrophosphates. Dans les deux cas, les cristaux de goutte (urates de mono sodium) et les cristaux de pseudo-goutte (pyrophosphates de calcium) tendent à être aciculiformes (en forme d'aiguille). Toutefois, de nombreux cristaux peuvent être cassés ou irréguliers. Pour réaliser le test, il est nécessaire de trouver dans le champ de vision au moins un cristal intact, orienté Nord-Sud (c'est-à-dire verticalement) et un cristal orienté Est-Ouest (horizontalement).

Procédure

Pour réaliser un test fiable, il convient d'utiliser un porte-objet en cristaux connus d'urate de mono-sodium.

- Il est recommandé d'utiliser un objectif 40x.
- Basculer la lame Lambda hors du trajet optique (fig. 51).
- Placer le porte-objet sur la platine porte-objet et faire une mise au point très fine sur les cristaux. Les cristaux aciculiformes apparaîtront blancs quelle que soit l'orientation.
- Faire pivoter la lame Lambda et basculer le levier d'orientation (51.1) jusqu'à la butée de gauche. Les cristaux principalement orientés N/S sont représentés en jaune et les cristaux orientés E/O, en bleu (fig. 52).

10. Mesures avec le microscope

- Basculer le levier d'orientation (51.1) jusqu'à la butée de droite. Les cristaux N/S paraissent alors bleus et les cristaux E/O, jaunes (fig. 52).
- Tester les cristaux avec le levier d'orientation dans les deux positions afin d'obtenir une identification catégorique.

Procédure d'identification de la pseudo-goutte :

Le test de la pseudo-goutte s'effectue de manière identique à celui de la goutte. Toutefois, le changement de couleur est exactement inverse de celui de la goutte. Cela signifie que, quand le levier (51.1) est à l'extrême gauche, les cristaux N/S sont bleus et les cristaux E/O sont jaunes et inversement, quand le levier est du côté droit (fig. 53).

Fig. 52 Identification de la goutte

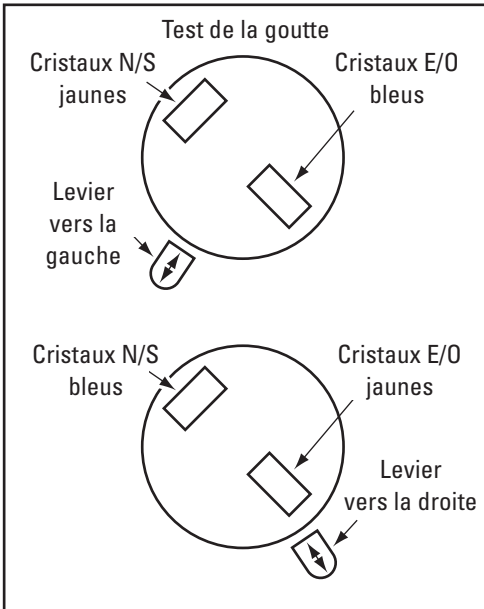
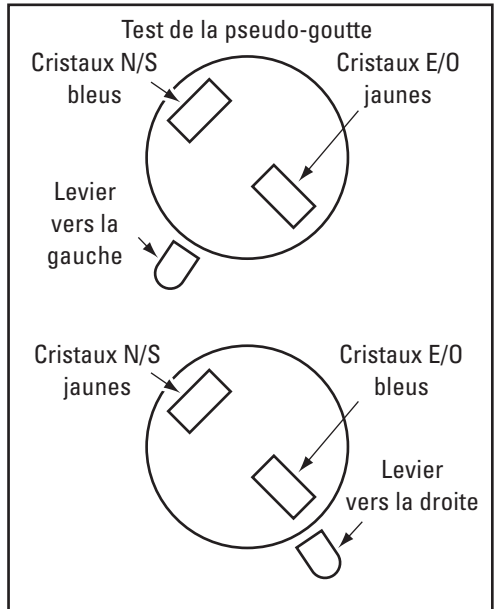


Fig. 53 Identification de la pseudo-goutte



11. Dépannage

Problème	Cause/Solution
Statif	
Le microscope ne s'allume pas.	<ul style="list-style-type: none"> ▶ Vérifier que la prise secteur fonctionne. ▶ Vérifier que le statif est connecté au secteur. ▶ Vérifier les connexions des câbles. ▶ Vérifier que le fusible n'est pas défectueux et le remplacer si besoin est (→ p. 55).
Éclairage	
L'image est complètement sombre.	<p>Lumière transmise :</p> <ul style="list-style-type: none"> ▶ Vérifier que la lampe de l'éclairage de diascopie intégré n'est pas défectueuse. Changement de lampe → p. 20 <p>Fluorescence :</p> <ul style="list-style-type: none"> ▶ Ouvrir l'obturateur (→ p. 46). ▶ Vérifier que le boîtier de lampe est connecté au secteur et qu'il n'est pas défectueux. Changement de lampe → p. 21 et suiv. ▶ Informer le SAV et faire vérifier que le fusible du régulateur de puissance n'est pas défectueux.
L'éclairage de l'image manque d'homogénéité/de régularité.	<ul style="list-style-type: none"> ▶ Enlever du trajet optique tous les filtres utilisés. ▶ Centrer la lampe (boîtier de lampe 106z) (→ p. 31 et suiv.). ▶ Remplacer la lampe usagée (→ p. 20 et suiv.).
L'éclairage « papillote ».	<ul style="list-style-type: none"> ▶ Vérifier qu'il n'y a pas un mauvais contact. ▶ Remplacer la lampe usagée (→ p. 20 et suiv.).

11. Dépannage

Problème	Cause/Solution
Fluorescence : la lampe ne s'allume pas immédiatement après la mise sous tension.	<ul style="list-style-type: none">▶ Allumer et éteindre plusieurs fois le régulateur de puissance.▶ Laisser refroidir les lampes au mercure avant de les remettre en marche.
Fond clair	
La mise au point de la préparation n'est pas possible.	<ul style="list-style-type: none">▶ Utiliser le milieu d'immersion correct.▶ Poser la préparation, le couvre-objet étant en haut.▶ Vérifier que l'épaisseur du couvre-objet est correcte et qu'elle correspond à ce qui est indiqué sur l'objectif.
Fond noir	
Il n'est pas possible d'établir un contraste DF net.	<ul style="list-style-type: none">▶ Vérifier qu'un objectif DF est utilisé.▶ L'ouverture de l'objectif est trop haute (au maximum 0,75/1.10). Réduire éventuellement l'ouverture de l'objectif au moyen du diaphragme iris sur l'objectif.▶ Vérifier le centrage du condenseur.▶ Ouvrir complètement le diaphragme d'ouverture.
L'éclairage de l'image manque d'homogénéité/de régularité.	<ul style="list-style-type: none">▶ Le grossissement de l'objectif est trop faible. Sélectionner un grossissement plus élevé.
Dispersion de la lumière non souhaitée.	<ul style="list-style-type: none">▶ Nettoyer la préparation et les surfaces de lentilles limitrophes (→ p. 54).

Problème	Cause/Solution
----------	----------------

Contraste de phase

Il n'est pas possible de régler le contraste de phase.

- ▶ La préparation est trop épaisse, trop mince ou trop colorée.
- ▶ L'indice de réfraction du milieu d'inclusion et de l'objet sont identiques, de sorte qu'il n'y a aucune inversion de phase.
- ▶ Le couvre-objet n'est pas posé de façon uniforme.
- ▶ Vérifier que le réglage de l'anneau de lumière est correct (→ p. 44).
- ▶ Vérifier le centrage des anneaux de lumière (→ p. 29).
- ▶ Vérifier le centrage du condenseur.
- ▶ Ouvrir complètement le diaphragme d'ouverture.

Polarisation

Il n'est pas possible de régler le contraste de polarisation.

- ▶ Croiser le polariseur et l'analyseur jusqu'à l'obscurité maximale (sans préparation) (→ p. 45).

Fluorescence

L'image est complètement sombre (pas de fluorescence).

- ▶ Ouvrir l'obturateur (→ p. 46).
- ▶ Vérifier la combinaison antigène-anticorps.
- ▶ Installer une nouvelle lampe (→ p. 21 et suiv.).

La fluorescence est trop faible.

- ▶ Centrer la lampe (→ p. 31 et suiv.)
- ▶ Installer une nouvelle lampe (→ p. 21 et suiv.).

12. Entretien du microscope



Attention !

Débrancher le microscope avant les travaux de nettoyage et de maintenance !
Protéger les composants électriques de l'humidité !

Sous un climat de type chaud ou chaud et humide, le microscope a besoin d'un entretien particulier afin de prévenir une contamination fongique.

Après chaque utilisation, il faut nettoyer le microscope ; il faut maintenir propre l'optique du microscope.

12.1 Pare-poussière



Remarque :

Pour le protéger de la poussière, recouvrir le microscope et ses accessoires de leur housse de protection après chaque utilisation.



Attention !

Laisser refroidir le microscope et les boîtiers de lampe. L'enveloppe protectrice ne résiste pas à la chaleur. En outre, il peut y avoir de la condensation.

12.2 Nettoyage



Attention :

Les restes de fibres et de poussières peuvent gêner la microscopie en formant un arrière-plan fluorescent parasite.

Nettoyage des surfaces peintes

Enlever la poussière et les particules de poussière avec un pinceau doux ou un chiffon qui ne peluche pas.

Les salissures rebelles sont nettoyées avec des produits d'entretien classiques en solutions aqueuses, white spirit ou alcool.

Pour nettoyer les surfaces peintes, utiliser un chiffon de lin ou une peau de chamois en l'imbibant d'une des substances susmentionnées.



Attention :

Il ne faut en aucun cas employer de l'acétone, du xylol ou des solutions de nitrate. Cela risquerait d'endommager le microscope.

Essayer les produits de composition inconnue sur un coin caché du microscope. Il ne faut ni dépolir ni décaper les surfaces peintes ou en plastique.

Nettoyage des surfaces en verre

On enlève la poussière des surfaces en verre avec un pinceau sec et non gras, à poils doux, avec une soufflette ou par aspiration sous vide.

Pour éliminer les salissures rebelles des surfaces de verre, utiliser avec précaution un chiffon propre imbibé d'eau distillée. Si les salissures n'ont toujours pas disparu, remplacer l'eau par de l'alcool non dilué, de l'éther ou un mélange éther-alcool.

Nettoyage des objectifs

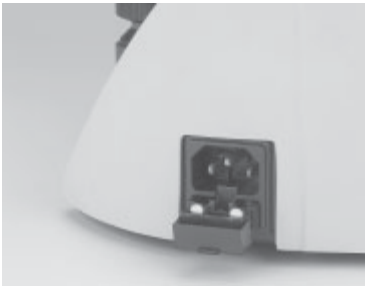


Attention !

Ne pas démonter les objectifs pour les nettoyer. S'ils présentent des dommages à la surface interne, il convient de les envoyer à votre point de vente Leica où ils seront réparés. Nous déconseillons également de procéder au nettoyage de la surface interne des oculaires.

La lentille frontale des objectifs est nettoyée suivant les instructions figurant sous « Nettoyage des surfaces en verre ». La lentille supérieure se nettoie avec un soufflet.

Fig. 54
Compartiment
des fusibles



Nettoyage de l'huile d'immersion



Attention !

Respecter les consignes de sécurité relatives à l'huile d'immersion !

Nettoyer l'huile à immersion avec un chiffon doux et propre, puis à plusieurs reprises, avec de l'alcool éthylique.

12.3 Maniement des acides et bases

Il convient de se montrer particulièrement prudent pour des examens avec l'emploi d'acides ou d'autres substances chimiques agressives.



Attention :

Il faut à tout prix éviter le contact direct de ces produits chimiques avec l'optique ou les composants mécaniques.

12.4 Changement de fusible

Pour sortir le compartiment des fusibles (fig. 54) au dos du statif, utiliser un objet pointu.

Caractéristiques des fusibles → p. 8

Numéro de commande → p. 56



Attention !

Il faut contrôler que seuls des fusibles du type et de l'intensité nominale indiqués soient utilisés comme pièces de rechange. L'emploi d'autres fusibles ou la non utilisation du porte-fusible est interdit. Il y a un risque d'incendie en cas d'utilisation d'autres fusibles.

13. Principales pièces d'usure et de rechange

N° de commande N° d'article	Désignation	Utilisation
<u>Lampes de rechange</u>		
11 500 319	Lampe halogène 12 V 30 W	Éclairage intégré
11 500 974	Lampe halogène 12 V 100 W	Boîtier de lampe 107/2
11 500 137	Lampe Hg haute pression 50 W	Boîtier de lampe 106 z
11 500 138	Lampe Hg haute pression 100 W	Boîtier de lampe 106 z
11 500 321	Lampe Hg haute pression 100 W (103 W/2)	Boîtier de lampe 106 z
11 500 139	Lampe Xe haute pression 75 W	Module d'éclairage 106 z
<u>Bouchon à visser pour logements d'objectif libres</u>		
020-422.570-000	Bouchon à visser M 25	Revolver à objectifs
<u>Bonnette de rechange (dispositif anti-éblouissant) pour oculaire HC PLAN</u>		
021-500.017-005	Bonnette HC PLAN	Oculaire 10x/25
021-264.520-018	Bonnette HC PLAN	Oculaire 10x/22
021-264.520-018	Bonnette HC PLAN	Oculaire 10x/20
<u>Huile d'immersion</u> selon DIN/ISO, sans fluorescence		
11 513 787	10 ml	Objectifs OIL et IMM et têtes de condenseur à immersion dans l'huile
11 513 522	100 ml	
11 513 788	500 ml	
<u>Fusibles</u>		
11 826 365	F 3,15 A 250 V	Fusible pour statif de microscope

14. Adaptations ultérieures

14.1 Équipement de la tourelle de condenseur

- Tourner la platine vers le haut et abaisser le condenseur.
- Enlever le condenseur. Desserrer la vis de fixation du condenseur.

Condenseur UCL/UCLP

- Tourner la vis (55.1) pour la sortir complètement.
 - Tourner les vis de centrage dans le sens inverse des aiguilles d'une montre de façon à pouvoir introduire les anneaux de lumière, les lames λ et $\lambda/4^*$ ou la lentille* 2.5x.
- L'orifice le plus grand est prévu pour l'observation en fond clair (= BF) ; les orifices plus petits pour les anneaux de lumière ou les lames λ et $\lambda/4$ ou la lentille de mise au point 2.5x.

Fig. 55 Condenseur UCL

- 1 Vis de fixation de la tourelle de condenseur



Remarques :

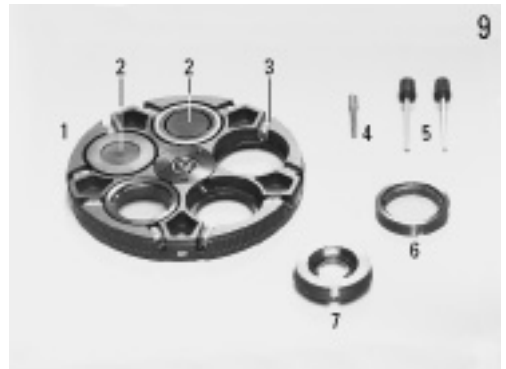
En cas d'utilisation d'un orifice plus petit pour le fond-clair, il n'est pas possible d'obtenir l'ouverture d'éclairage maximale.

L'inscription (par ex. DF, PH 1... λ) doit être **en haut** et les lames λ et $\lambda/4$ doivent être montées dans le bon sens : la rainure doit pointer vers le centre du disque ! L'inscription des composants doit correspondre au marquage de la position opposée (bord externe du disque).

- Serrer les vis de centrage de sorte que les composants soient au centre des orifices.

Fig. 56 Tourelle de condenseur UCL

- 1 Tourelle de condenseur
 2 Anneau de lumière ou lame λ ou $\lambda/4$
 3 Vis de centrage
 4 Axe
 5 Clef de centrage
 6 Lame λ ou $\lambda/4$
 7 Lentille additionnelle 2.5x...20x



14. Adaptations ultérieures

! Attention :

Avant de monter la tourelle dans le condenseur, veiller à ce qu'aucune vis de centrage ne dépasse sur le côté.

- Fixer la tourelle de condenseur sur l'axe et vérifier que la tourelle tourne impeccablement sur 360° .
- Fixer le condenseur avec la vis de fixation.

! Attention :

Avant de monter le disque dans le condenseur, veiller à ce qu'aucune vis de centrage ne dépasse sur le côté.

- Fixer la tourelle de condenseur sur l'axe et vérifier que la tourelle tourne impeccablement sur 360° .
- Fixer le condenseur avec la vis de fixation.

Condenseur UCA/P

- Tourner la vis de la base du condenseur (au centre) pour la faire sortir complètement.

- Tourner les vis de centrage dans le sens inverse des aiguilles d'une montre de façon à pouvoir introduire les anneaux de lumière et les lames λ et $\lambda/4$.

L'orifice le plus grand est prévu pour l'observation en fond clair (= BF) ; les orifices plus petits pour les anneaux de lumière ou les lames λ et $\lambda/4$.



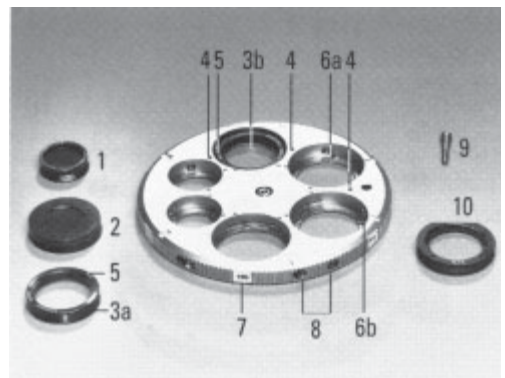
Remarques :

En cas d'utilisation d'un orifice plus petit pour le fond-clair, il n'est pas possible d'obtenir l'ouverture d'éclairage maximale.

L'inscription (par ex. DF, PH 1... λ) doit être **en haut** et les lames λ et $\lambda/4$ doivent être montées dans le bon sens : la rainure doit pointer vers le milieu du disque ! L'inscription des composants doit correspondre au marquage de la position opposée (bord externe du disque).

Fig. 57 Tourelle de condenseur UCA/P

- 1 Anneau de lumière « petit, PH »
- 2 Anneau de lumière « grand » pour grands orifices
- 3 Prisme de condenseur DIC
- 4 Repère pour l'assemblage des prismes de condenseur DIC
- 5 Marquage **K** sur la monture de prisme
- 6 Rainure de guidage pour le prisme
- 7 Plaquette adhésive
- 8 Vis de centrage
- 9 Axe de rotation
- 10 Lame λ ou $\lambda/4$



15. Index

- Ajustement des sources de lumière 31
- Allongement du pignon coaxial 35
- Analyseur 19, 24, 45
- Angle d'observation 37
- Anneau de lumière 29, 41, 44
- Anneaux de contraste de phase 29
- BG** 38, 46
- Boîtier de lampe 106z 21, 31
- Brûleur Hg 50 22
- Brûleur Xe 75 22
- Caméra** 25
- Caractéristiques techniques 8
- Centrage anneaux de lumière 30
- Centrage du condenseur 29
- Changement de fusible 55
- Changement de hauteur du condenseur 18, 29
- Changement de lampe diascopie 20
- Changement d'objectif 39
- Changeur de grossissement 26
- Compensateur à lame Lambda 24, 49
- Compensateurs 45, 46
- Condenseur 11, 18
- Condenseur avec repères en couleur 41
- Conditions environnementales 14
- Connexion bloc d'alimentation 27
- Consignes de sécurité 8
- Contraste de phase 44
- Coulisseau à anneaux de lumière 29, 44
- Couple de rotation 35
- Déplacement d'objet** 35
- Diaphragme d'ouverture 40, 41
- Diaphragme de champ lumineux 41
- Diascopie 42
- Direction du pas 35
- Dispositif de discussion 26
- Dispositif de relevage ergonomique 26
- Distance interoculaire 37
- Division du faisceau lumineux 37
- Eclairage de Koehler** 28
- Éclairage diascopique 50
- Éclairage intégré 20
- Éclairage oblique 45
- Entretien 54
- Extension d'oculaire 37
- Filtre anti-calorique** 45
- Filtre de diascopie 43
- Fluorescence 46
- Fond clair 43
- Fond noir 44
- Fusible 56
- Goutte/Pseudo-goutte** 49
- Grossissement de l'objectif 2.5x 42
- Huile d'immersion** 39, 55, 56
- Illuminateur de fluorescence** 21
- Intensité lumineuse 40
- Lampe au mercure**
 - Hg 100 W/Xe 75 W 33
 - Lampe au mercure Hg 50 W 32
 - Lampes à décharge 21, 22, 23
 - Lampes de recharge 56
 - Lentille additionnelle LS 18
 - Lentille d'accommodation 42
 - Lieu d'installation 14
 - Logement de l'analyseur TL 19, 24, 45
 - Logements de filtres 43
 - Luminosité 40
 - Lunette de mise au point 30
- Magasin à filtres DLF** 43
- Marqueur d'objet 48
- Mesure de longueur 47
- Mesure d'épaisseur 48
- Méthode de contraste 10
- Mise au point 36
- Mise au point fine 36
- Mise au point grossière 36
- Module ergonomique 26
- Monture correctrice 39
- Nettoyage** 54
- Objectif à immersion** 39
- Objectifs 19, 39
- Obturateur 46
- Oculaires 19, 38
- Pare-poussière** 54
- Pignon coaxial 16, 35
- Plaque Lambda 45, 46
- Platine 16
- Platines 35
- Polarisation 45
- Polariseur 24, 45
- Porte-condenseur 18
- Porte-filtre 24, 41, 43
- Porte-polariseur 24
- Position en croix 45
- Programme de tube 38
- Réglage en hauteur des boutons de mise au point** 36
- Régulateur de puissance 21, 35
- Réticule 38
- Revoluer à objectifs 10
- Sécurité électrique** 8
- Sorties du tube 37
- Sources de lumière 40
- Support de préparation 16
- Système de filtres de fluorescence 46
- Tête de condenseur** 28, 43
- Tourelle de condenseur 57
- Traceur 27
- Transport 15
- Tube 19, 37
- Tube intermédiaire-Pol 19, 24, 45
- Utilisation à droite/gauche** 36
- Valeur en micromètres** 47
- Vision déficiente 38
- Volants de mise au point 36

16. Déclaration de conformité UE

Download:

http://www.light-microscopy.com/down_ce-declaration_dm1000

Leica Microsystems Wetzlar GmbH
Ernst-Leitz-Straße
D-35578 Wetzlar (Germany)

Tel. +49 (0) 64 41-29 0
Fax +49 (0) 64 41-29 25 99
www.leica-microsystems.com

Leica
MICROSYSTEMS