



Inverted Research Microscope

ECLIPSE TE2000

Taking inverted microscopy to peaks of perfection



TE2000-S



TE2000-U



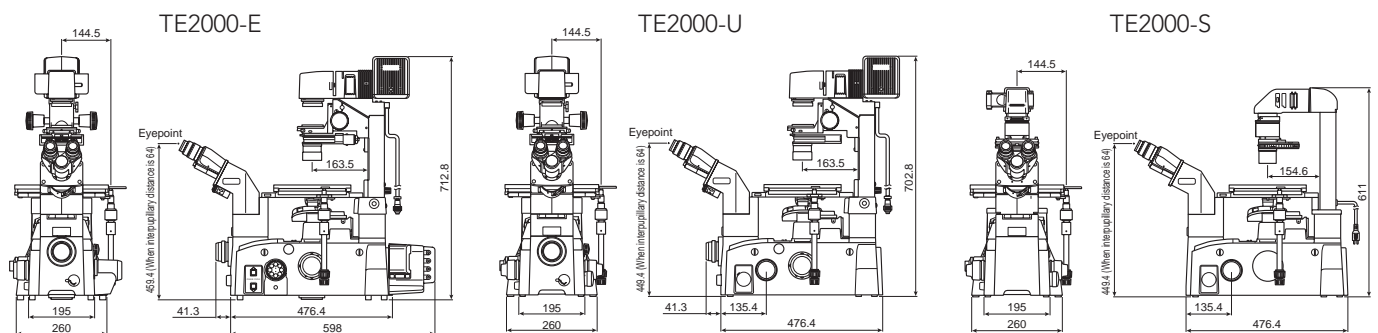
TE2000-E

- Extendible optical configuration
- Multiport design
- Retrofittable motorized options
- Noise Terminator allows unprecedented S/N ratio of fluorescence images
- High-precision motorized focus and objective anti-collision mechanism (TE2000-E)

Specifications

Model	TE2000-E	TE2000-U	TE2000-S
Main body			
Optical system	CFI60 infinity optical system, parfocal distance 60mm		
Light distribution	5 positions, motorized light-distribution changer Observation 100, Left port 100, Right port 80, Front port 80, Bottom port 100 * 3 other models are available as option: 1) left 80/100 switchable instead of bottom 100 2) right 80/100 switchable instead of bottom 100 3) front 80/100 switchable instead of bottom 100	4 positions Observation 100, Left port 100, Right port 80, Front port 80 * 4 other models are available as option for 5-position light distribution: 1) with bottom port (must be added, 100% light) 2) left 80/100 switchable 3) right 80/100 switchable 4) front 80/100 switchable	2 positions Observation 100, Left port 80 * 2 other models are available as option: 1) left 100 instead of 80 2) right port (must be added) 100 instead of left 80
Focusing	Via motorized/manual nosepiece up/down movement Stroke—manual: up 7mm, down 3mm; motorized: up 6mm, down 2.5mm Coarse stroke: 4.9mm/rotation; Fine stroke: 0.1mm/rotation (motorized) Minimum fine reading: 0.05µm by optical linear encoder External fine focusing unit	Via nosepiece up/down movement Stroke—manual: up 7mm, down 3mm Coarse stroke: 4.9mm/rotation; Fine stroke: 0.1mm/rotation Minimum fine reading: 1µm Refocusing stopper: Adjustable coarse torque stopper	Via nosepiece up/down movement Stroke—manual: up 7mm, down 3mm Coarse stroke: 4.9mm/rotation; Fine stroke: 0.1mm/rotation Minimum fine reading: 1µm Adjustable coarse torque stopper
Intermediate magnification	1.5X	1.5X	—
Extendible structure	Available		
Other	Light intensity control; Light on/off switch		
Eyepiece tube	(1) T-TD Binocular Tube D (2) T-TS Binocular Tube S (3) T-TERG Binocular Ergonomic Tube D (4) T-TI Intermediate Tube for Eclipse E600/400 trinocular tubes and teaching heads		
Eyepiece lens (F.O.V.)	CFI 10X (22mm), CFI 12.5X (16mm), CFI 15X (14.5mm)		
Illumination	(1) T-DH 100W Illumination Pillar (2) T-DS 30W Illumination Pillar		
Condenser	SLWD condenser for phase contrast*, ELWD condenser for phase contrast*, System condenser LWD**, ELWD** Motorized system condenser LWD**, ELWD**, Hoffman Modulation condenser® (HMC), High N.A. condensers *Only for 30W pillar **Only for 100W pillar		
Nosepiece	T-N6 Setuple Nosepiece, T-N6D Sextuple DIC Nosepiece, T-ND6-E Motorized Sextuple DIC Nosepiece		
Objectives	CFI60 objectives		
Stage	(1) T-SR Rectangular Stage—Cross travel: 70 x 50mm; Size: 300 x 276mm (2) T-SP Plain Stage—Size: 300 x 210mm; Mechanical stage mountable (3) T-SAM Attachable Mechanical Stage (must be used with T-SP Plain Stage)—Cross travel: 126 x 84mm; Specimen holders attachable		
Motorized functions	Fine focusing (minimum reading: 0.05µm), Objective anti-collision mechanism (when the nosepiece is rotated), Light distribution changer (Motorized options): DIC nosepiece, Analyzer, Epi-fl filter rotating turret, Epi-fl shutter, Excitation filter wheel, Barrier filter wheel, System condenser turret	—	—
Epi-fluorescence attachment	Six fluorescence filter blocks in rotating turret with shutter, Noise Terminator mechanism incorporated, Aperture diaphragm centerable, Field diaphragm centerable, 33mm ND4/ND8 filters, 25mm heat absorbing filter, Lamphouse adapter, Zoom lamphouse adapter (option)		
Optional accessories	Nikon Digital SLR D1, Digital Camera DXM1200F, Digital Camera DS-5M/5Mc-L1/U1, Photomicrographic Equipment FX-III series, Teaching Head, Drawing Tube, CCTV Adapters, Micromanipulators, etc.		
Power consumption (max.)	(TE2-PS 100W Power Supply) 100-230V, 2.4A/160W (TE-PS 30W Power Supply) 100/120V, 0.6A/80W; 230V, 0.4A/80W		
Weight (approx.)	Phase contrast set: 40kg; Epi-fl set: 45kg (w/100W pillar)	Phase contrast set: 36kg; Epi-fl set: 41kg (w/100W pillar)	Phase contrast set: 32kg (w/30W pillar)

Dimensional diagram



Unit: mm



NIKON INSTRUMENTS CO., LTD.
Parale Mitsui Bldg., 8, Higashida-cho, Kawasaki-ku,
Kawasaki, Kanagawa 210-0005, Japan
phone: +81-44-223-2167 fax: +81-44-223-2182
www.nikon-instruments.jp/eng/

NIKON INSTRUMENTS (SHANGHAI) CO., LTD.
CHINA phone: +86-21-5058-5055 fax: +86-21-5058-5060
(Beijing office)
CHINA phone: +86-10-5869-2255 fax: +86-10-5869-2277

NIKON SINGAPORE PTE LTD
SINGAPORE phone: +65-6559-3618 fax: +65-6559-3668
NIKON MALAYSIA SDN. BHD.
MALAYSIA phone: +60-3-78763887 fax: +60-3-78763387